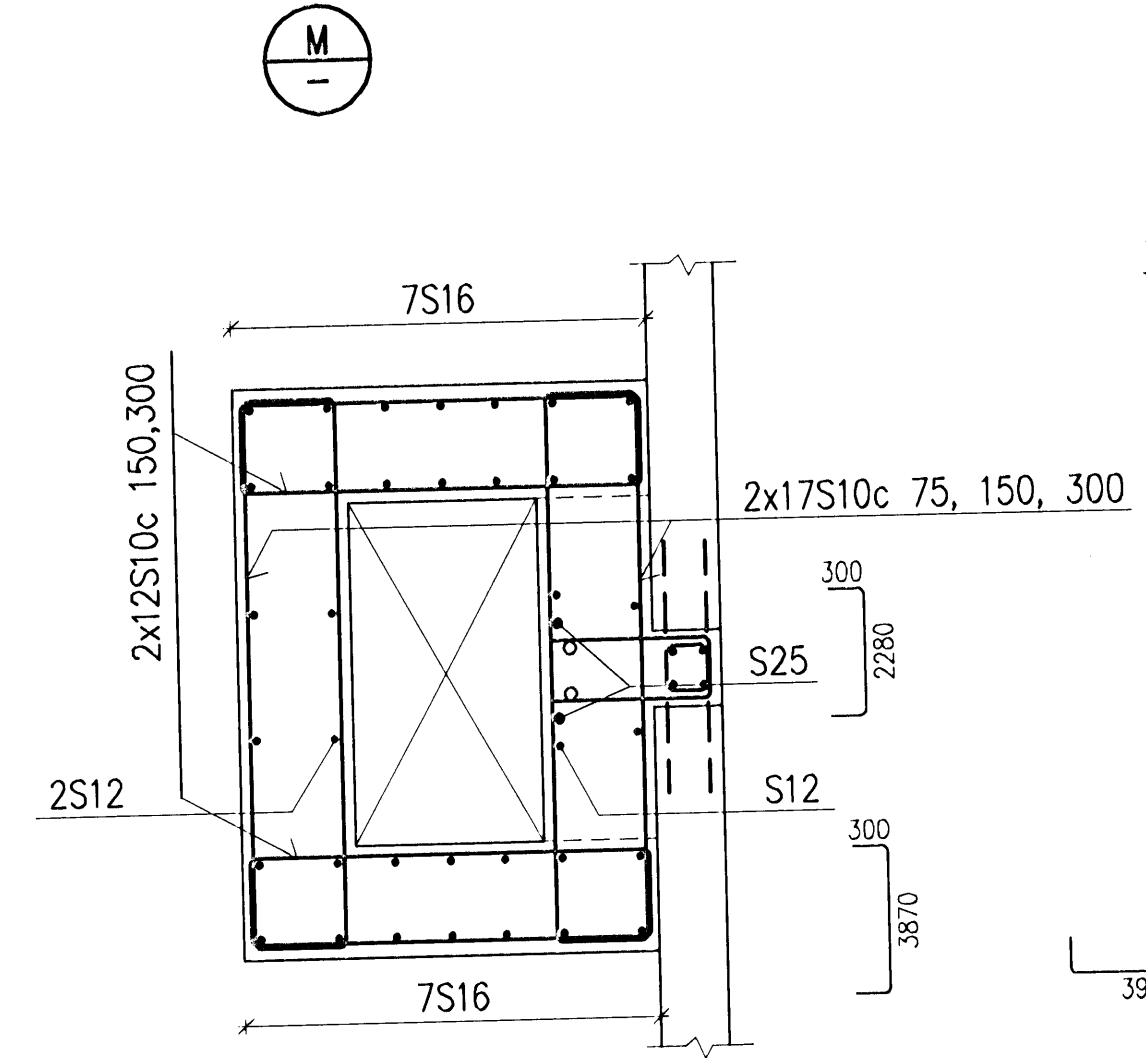
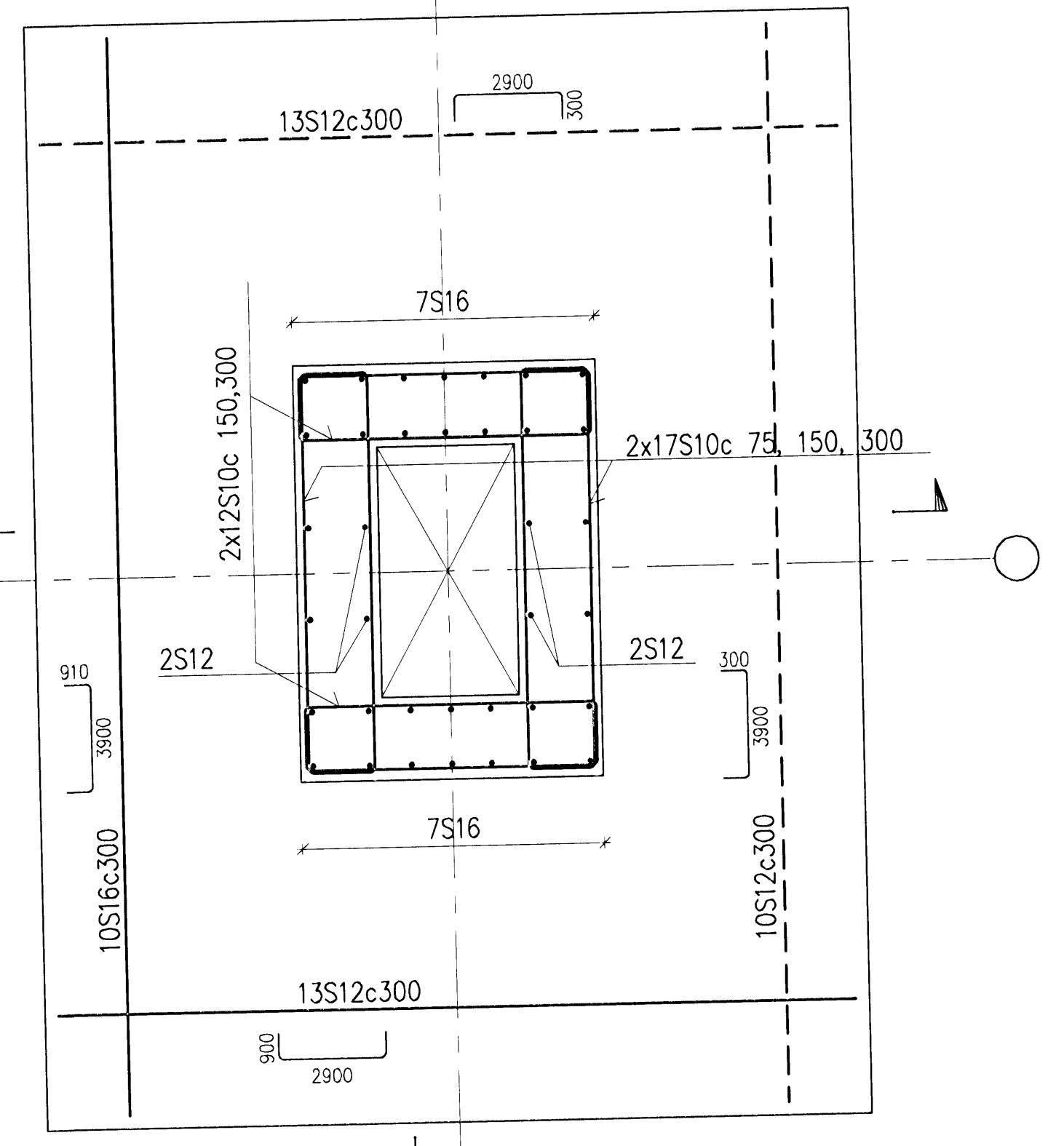
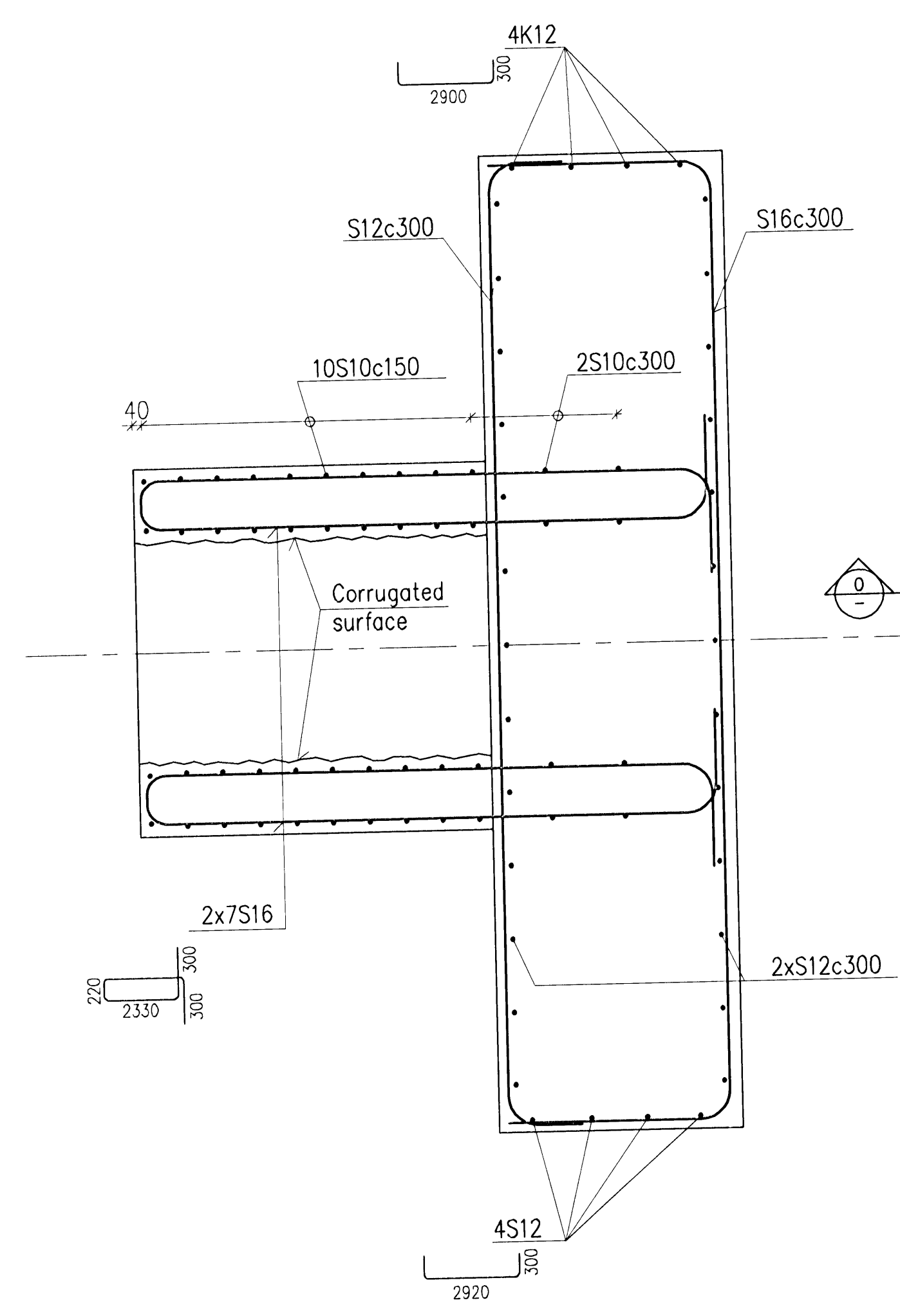
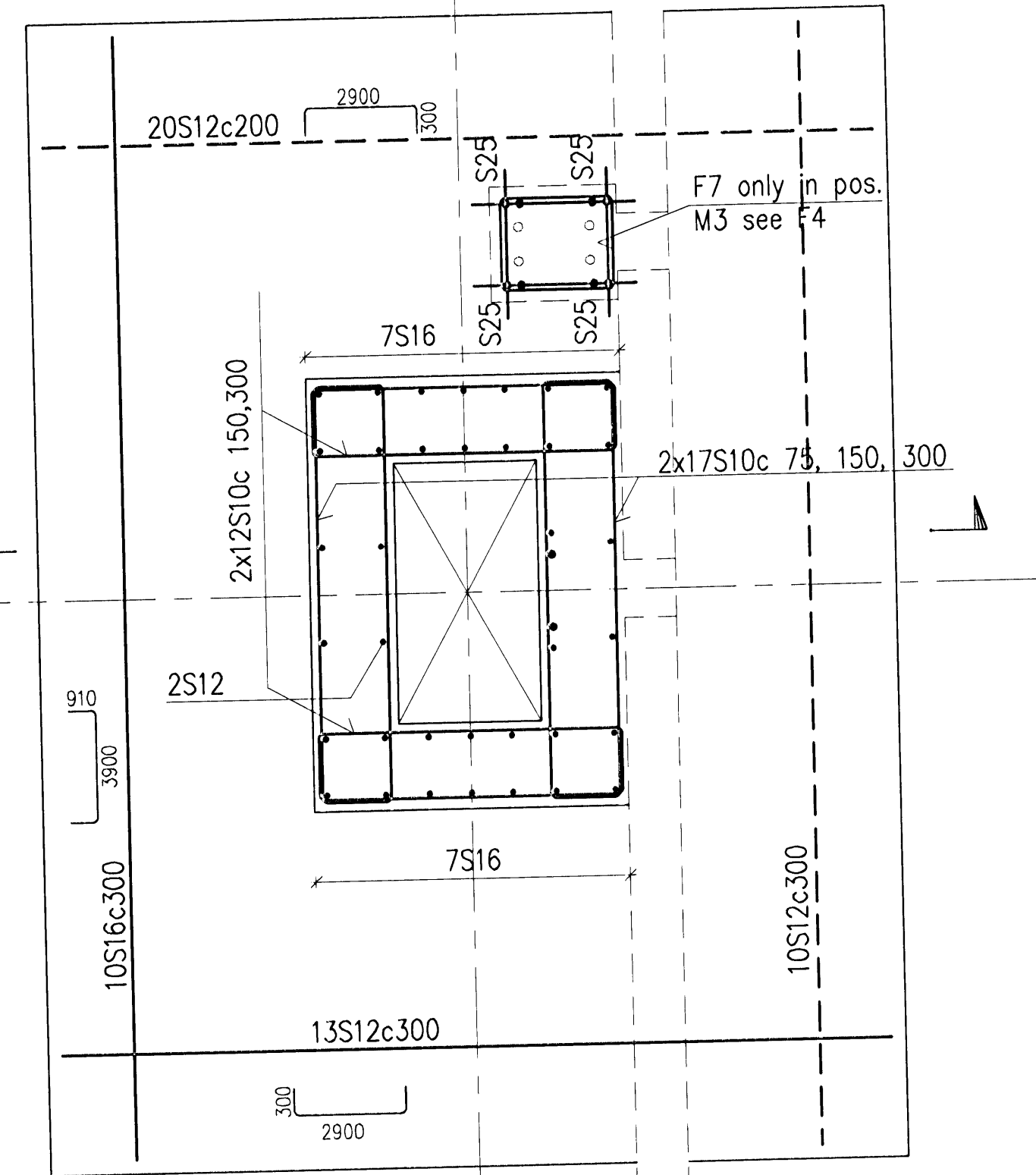
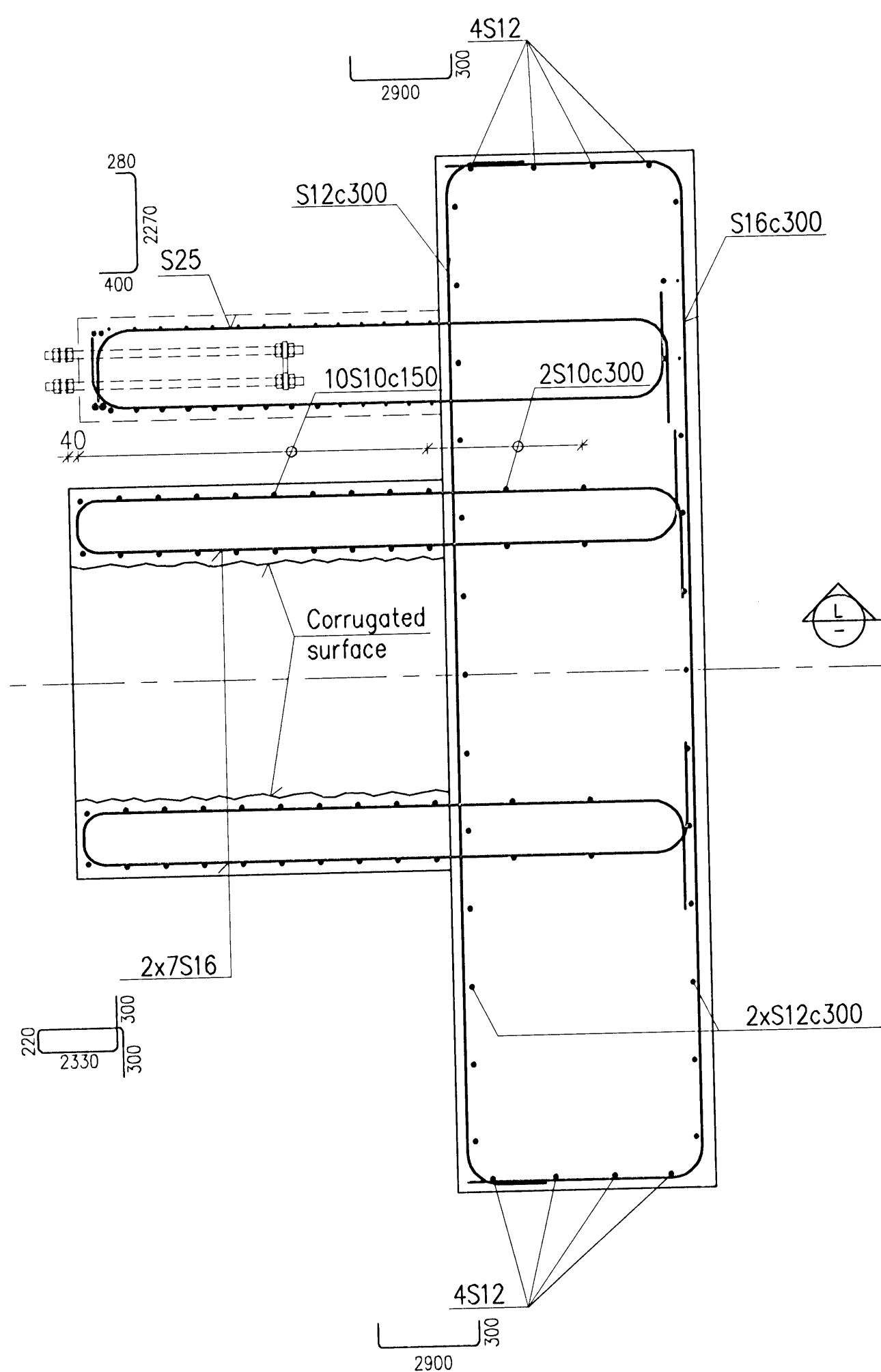
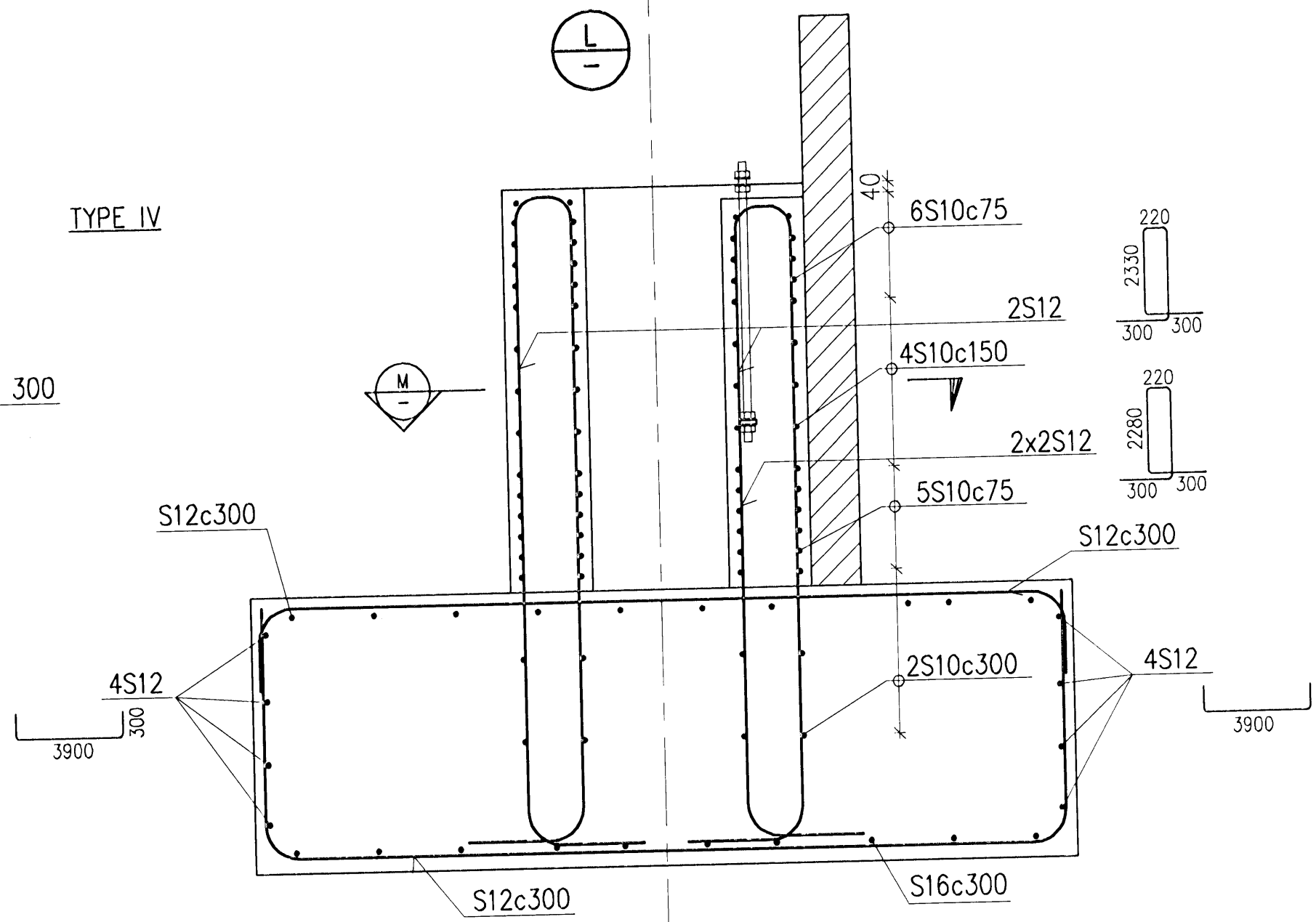


Samþykkt þann
10 FEB 009
Byggingafráttíðing / Haldrarfráttíðing
Fh. Hrólfur S. Gunnlaugsson

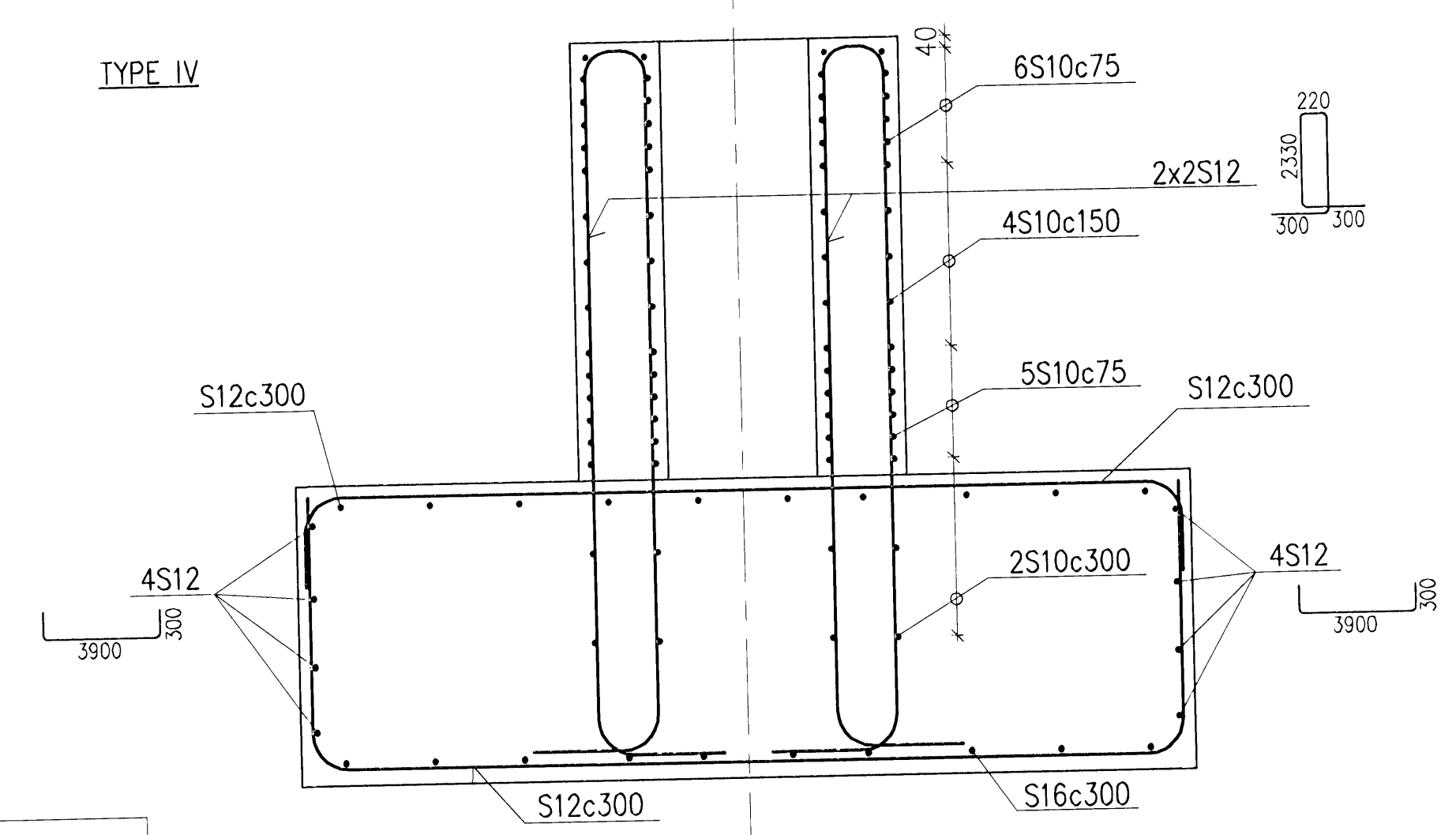
Niels Indriðason
hl. 63.12444-3444



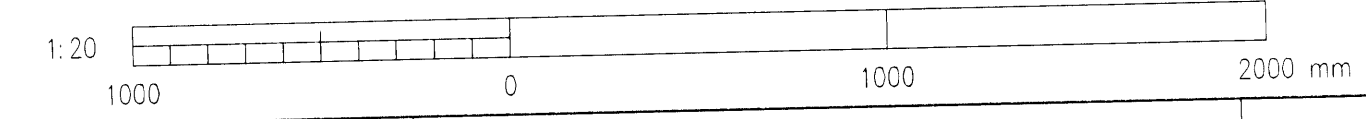
TYPE IV



TYPE IV



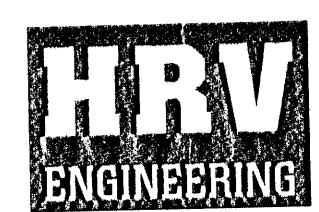
CONCRETE: C30/37; XF3-38



Skýringar:
Explanations:

This drawing is the property of the Rio Tinto Alcan Iceland Ltd. and handed out for personal use only. It may neither be copied nor made available to others without permission of the Rio Tinto Alcan Iceland Ltd. The receiver is liable for any misuse.

Fjöldi stykkja / Number of pieces	Hlutur / Object	Atriði / Item	Efni / Material	Þe. st. / Weight	Ítalgi / heild / Total (kg) / Byggt	Athugasemdir / Remarks
IV III II I	IDP 410 - SUBSTATION 220 kV SWITCHYARD BLD REINFORCEMENT FOUNDATION 3/4	HRV	HS/LDB 2008.10.01	Yfirlit / Checked	1:20	4011
1	Issued for use	08.12.18	OS			
2	Issued for tendering	08.10.01	OS			



Tilteikningar nr. ISAL / Ref-drawing no. of ISAL
Samsetningartekningar nr. ISAL / Assembly drawing no. of ISAL