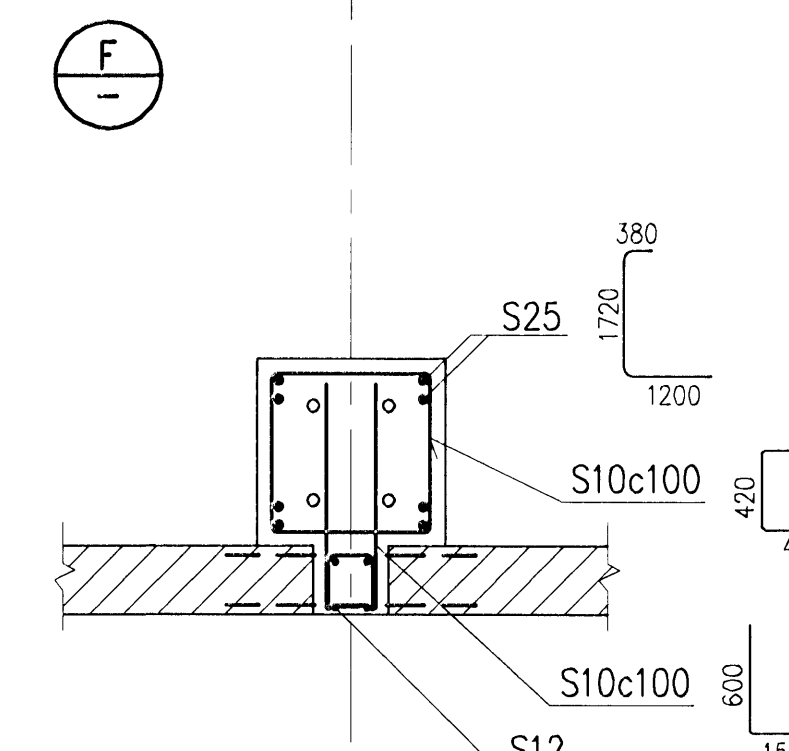
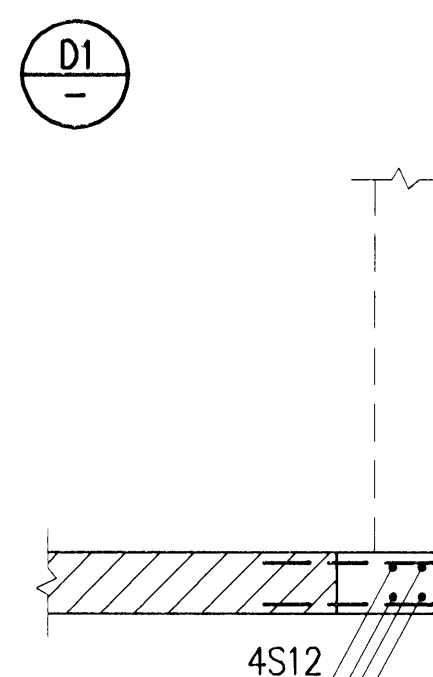
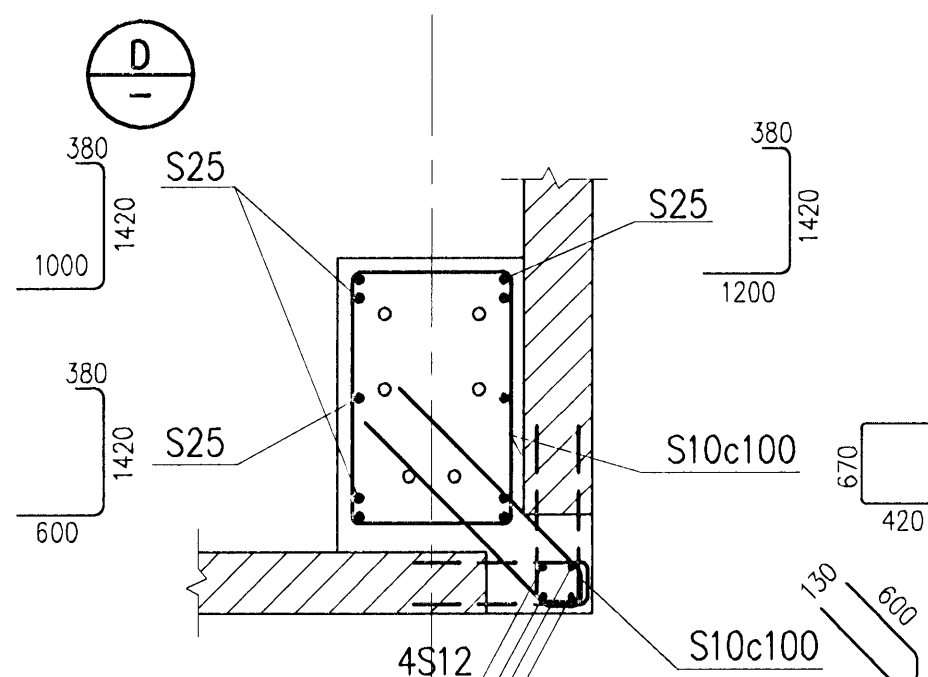
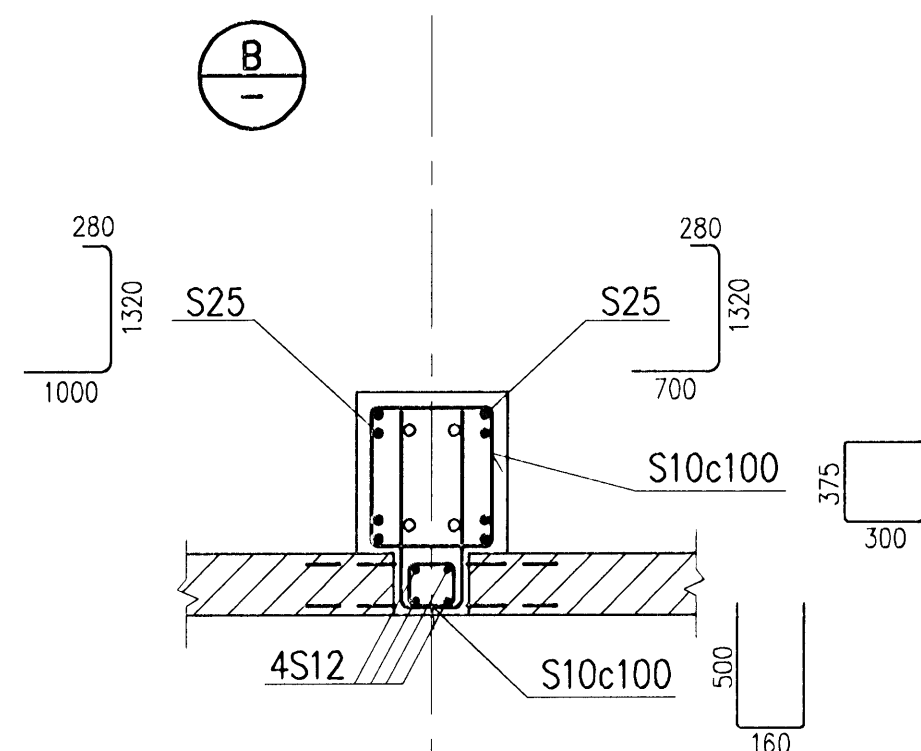
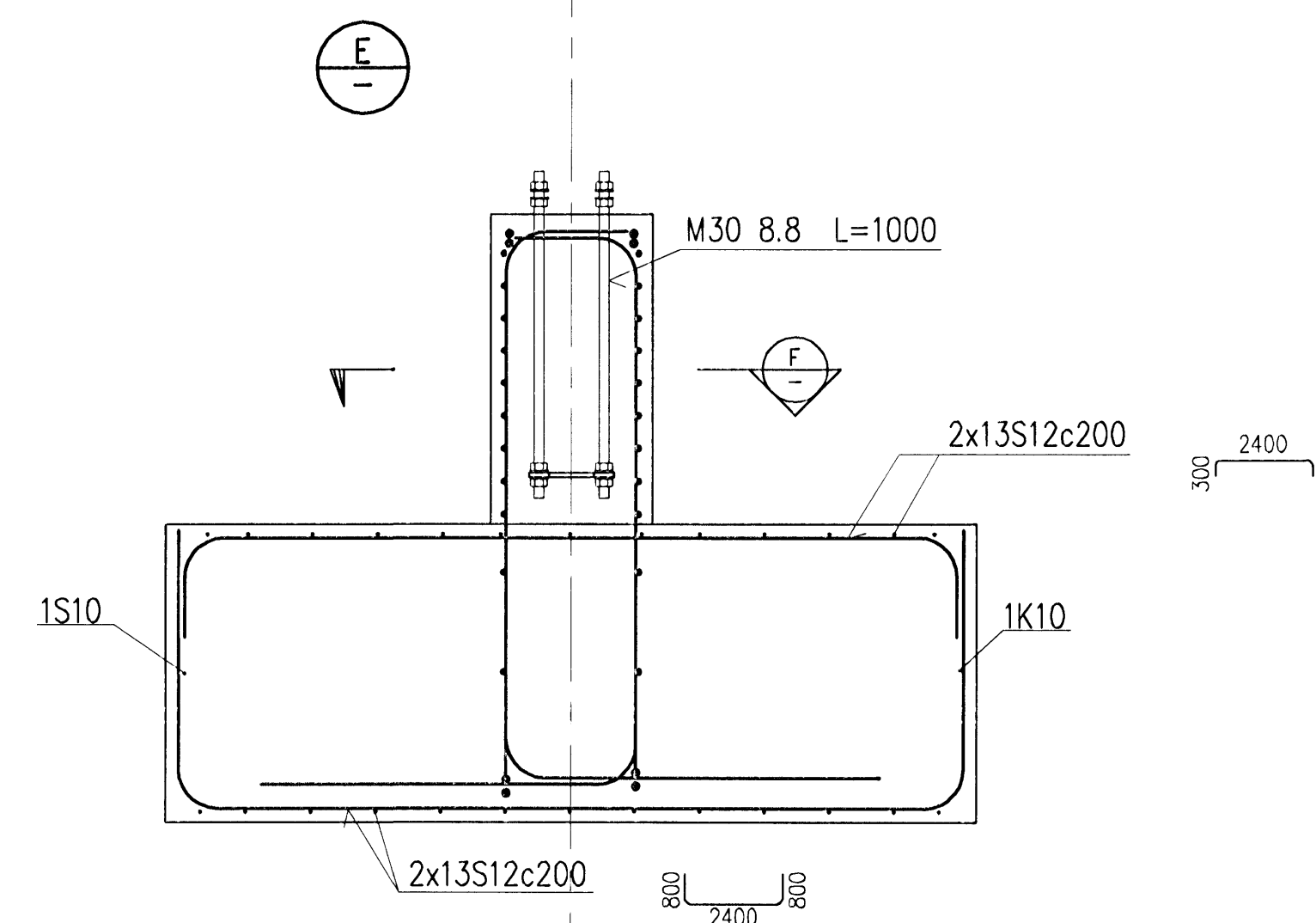
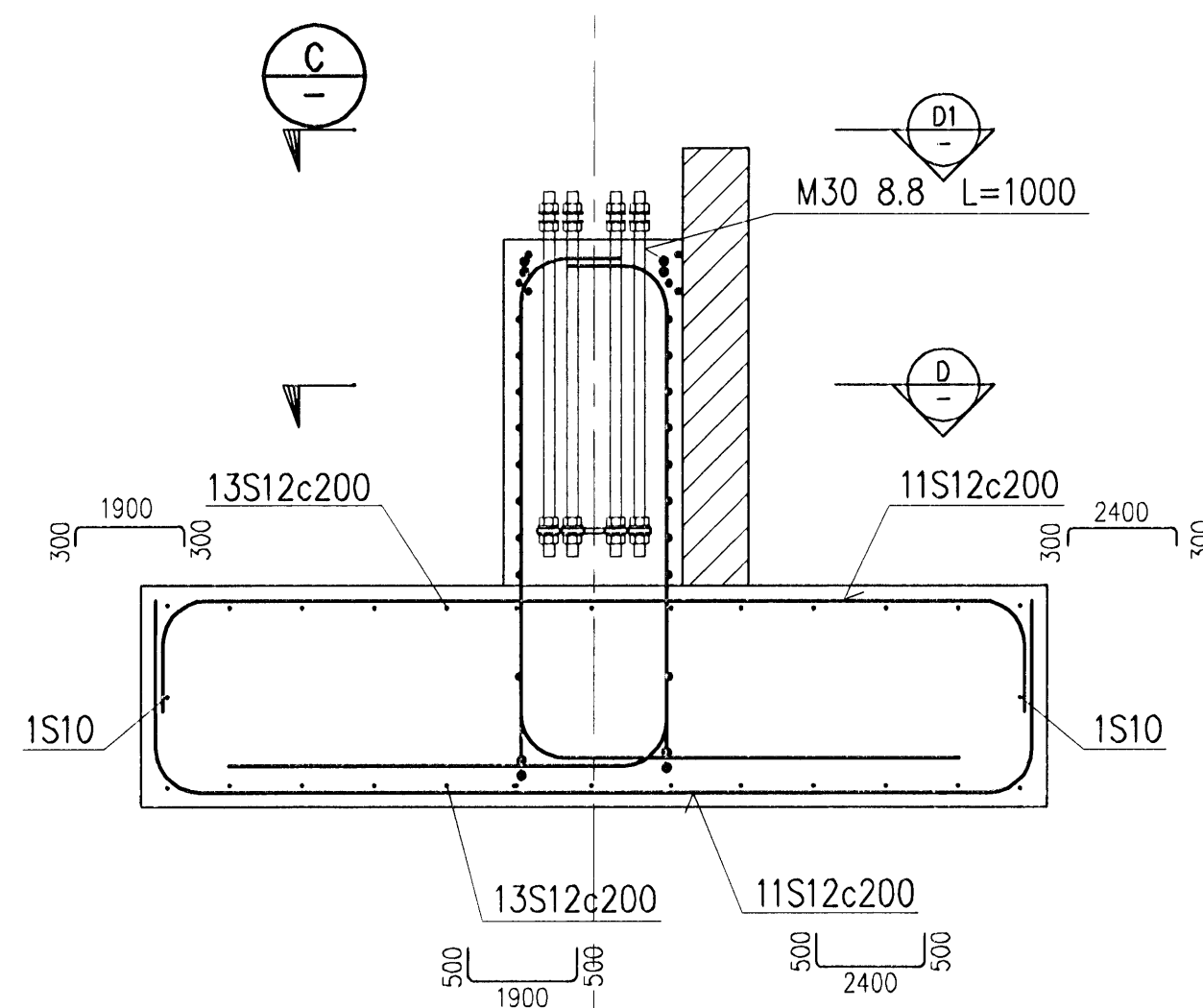
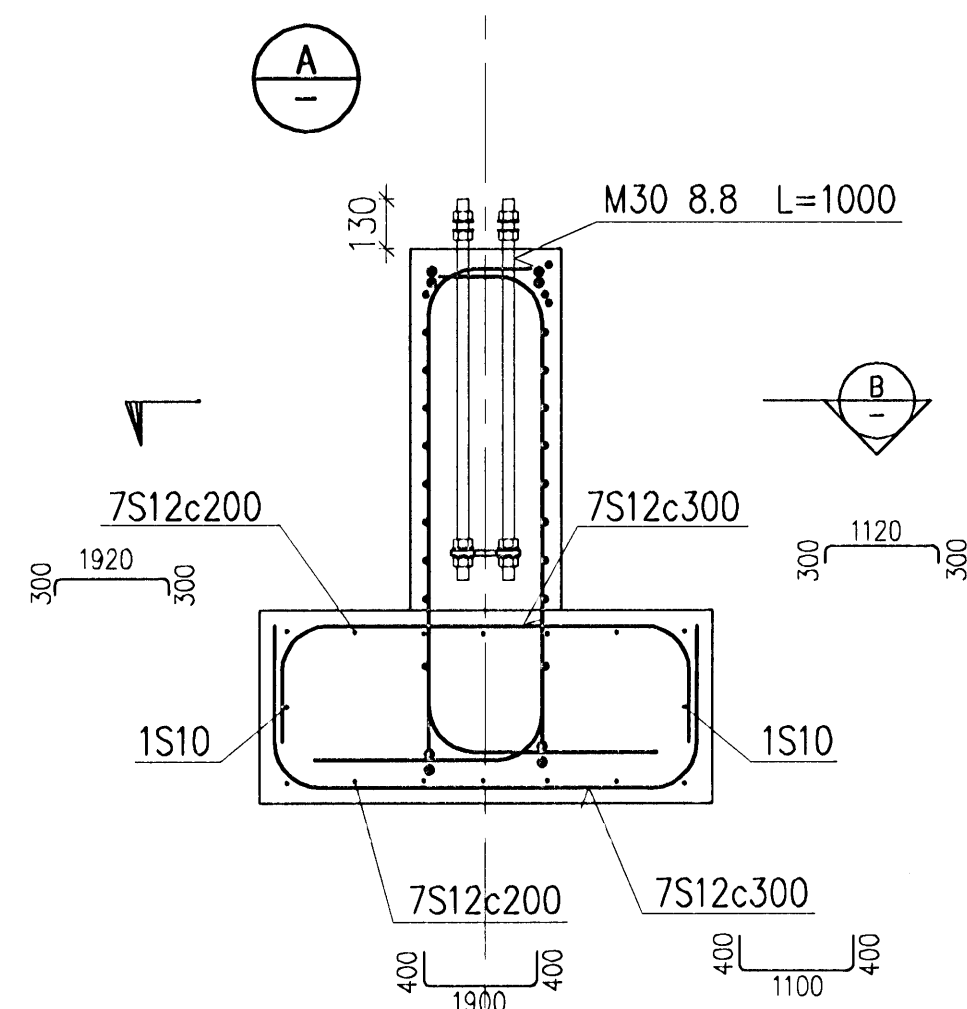
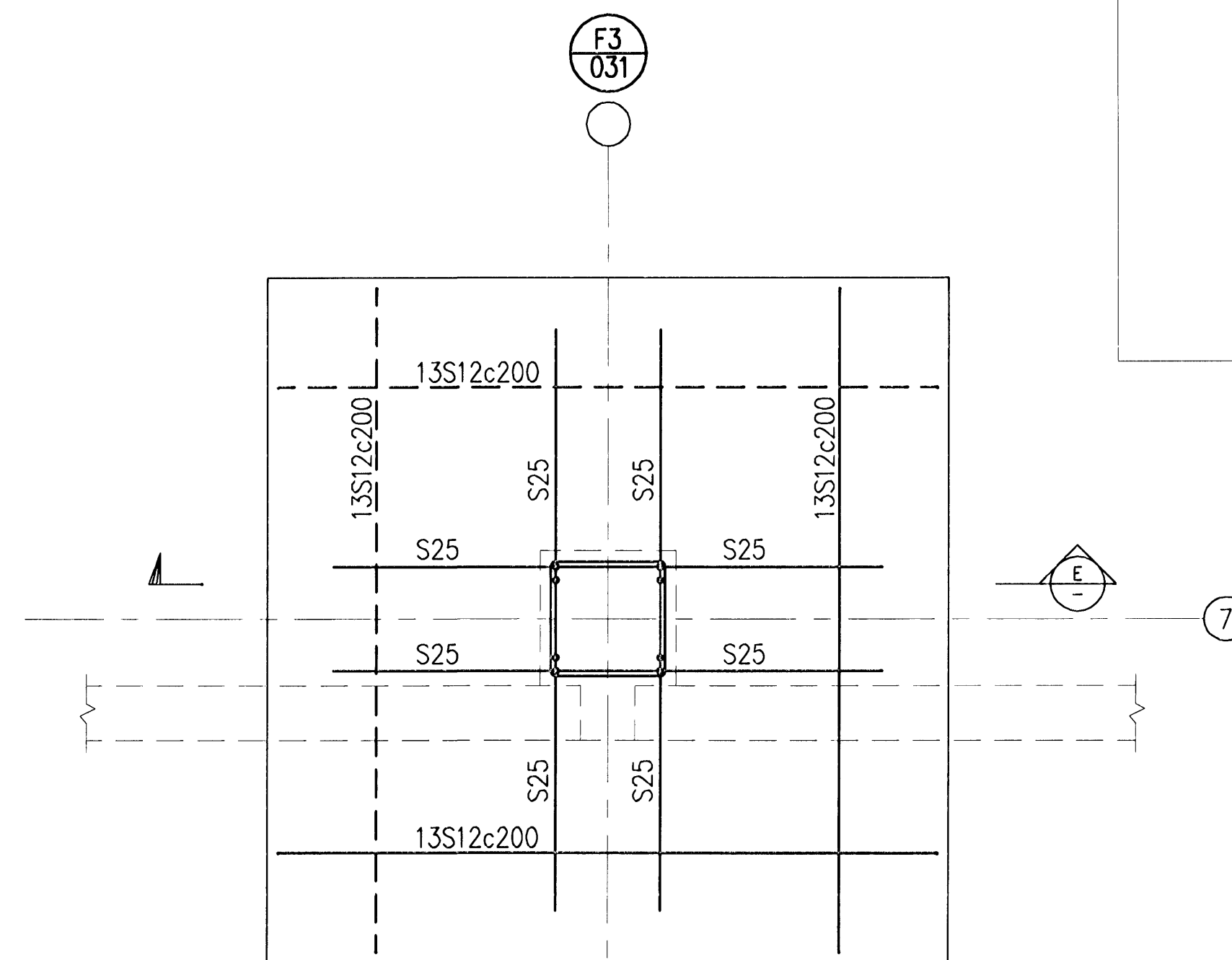
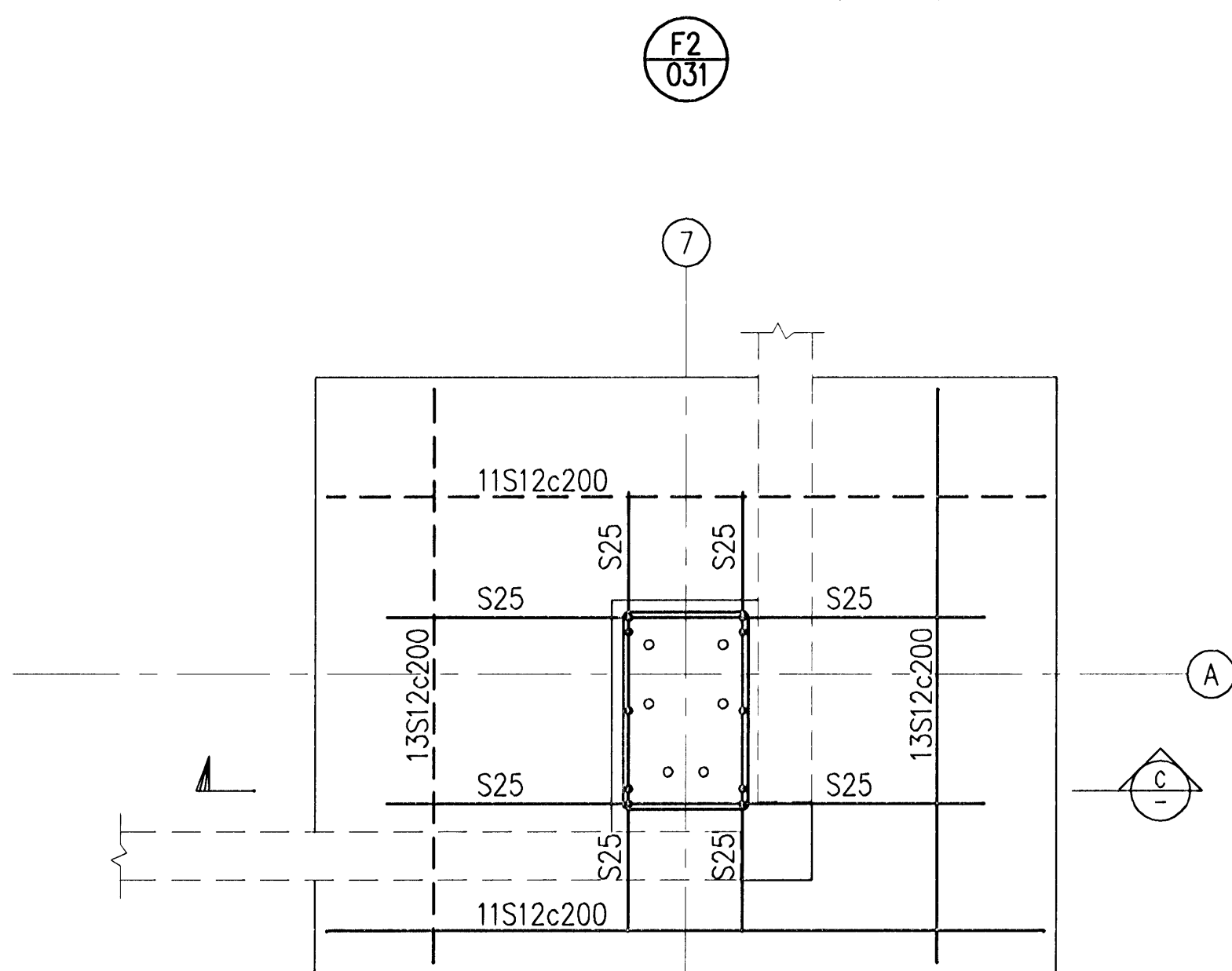
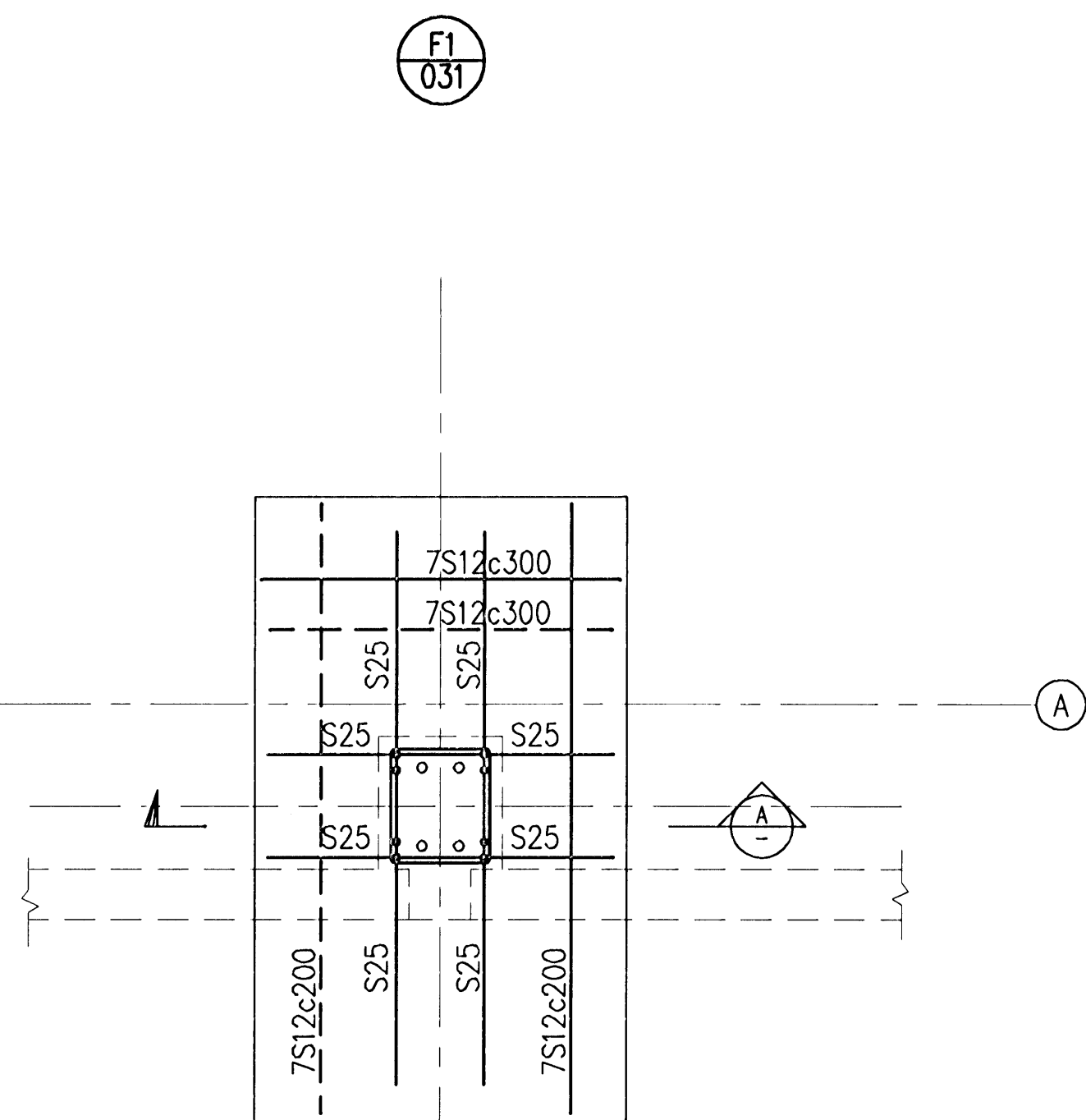


Format A1 (841x594 mm) is 20 mm outside of this frame

Samþykkt bann
10 FEB 2009
Byggingafultrúinn í Hafnarfirði
F.h. Hrólfur S. Gunnlaugsson

Níðri Indriðsson
N1 Lt. 181144-3769



CONCRETE: C30/37:XF3-38



Skýringar:
Explanations:

Breyt./ Rev.	Dags. Date	Samb. Approved	Notk.heimi Released
2	08.12.18		
1	08.10.01		

Fjöldi stykja Number of pieces		Hlutur Object		Atriði Item		Efni Material		Ea:stk Weight		Tölu í heild Total Qty		Athugasemdir Remarks			
IV	III	II	I	IDP 410 - SUBSTATION		220 kV SWITCHYARD BLD.		REINFORCEMENT		FOUNDATION 1/4		1:20			
Tiltekið / Supplier										HRV		Kostnaður-búnaður / Óbsta-Égna 4011			
Tæknipróf Drawn										HS/LDB 2008.10.01		Yfirfarir Checked		NI	
Tæknipróf Drawn										Samb. / Approved		Níðri Indriðsson		Samb. / Approved	
Tæknipróf Drawn										Samb. / Approved		250141		2	

