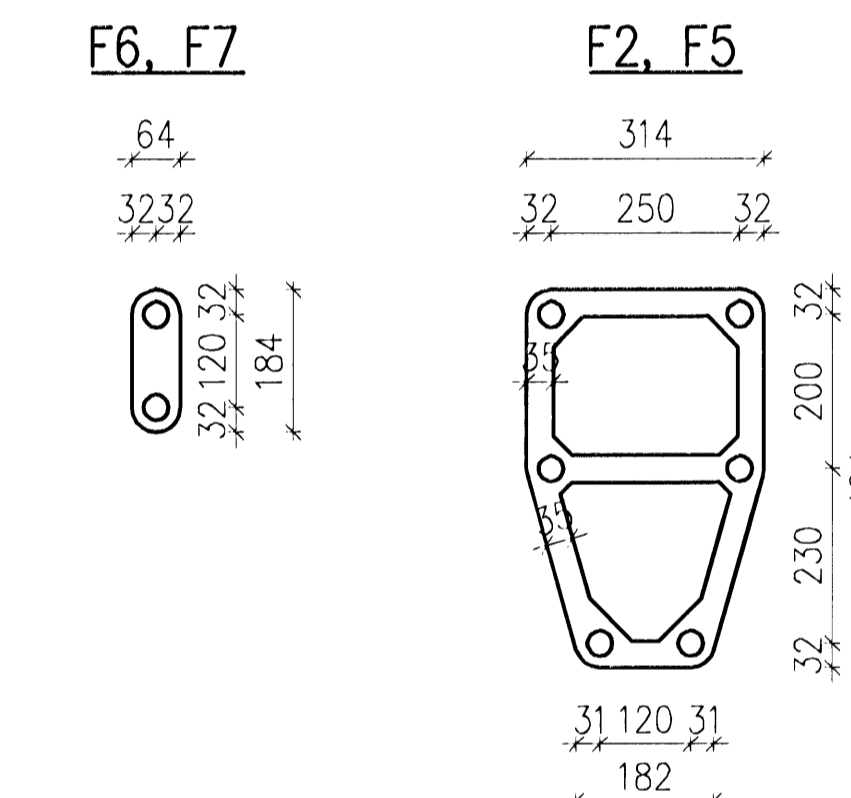
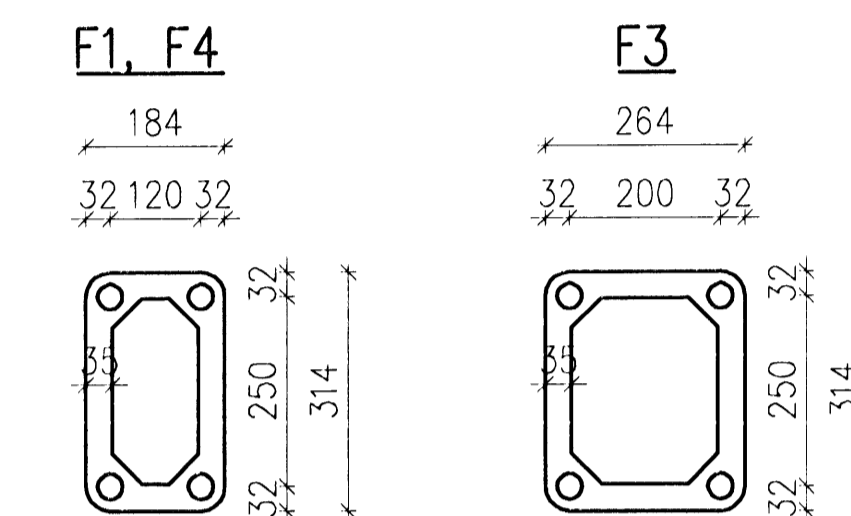
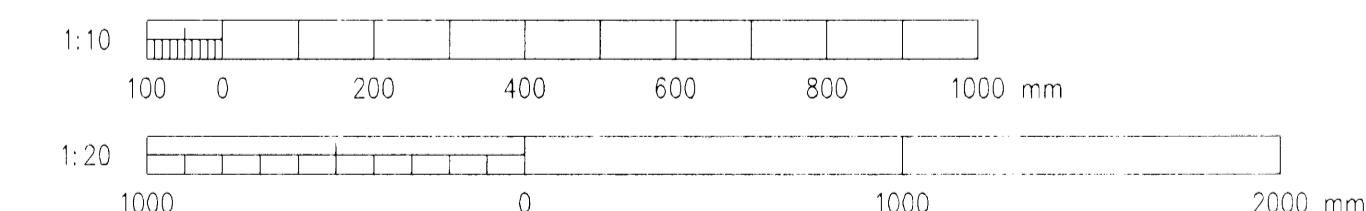


STEEL PLATES t=16 mm, 1:10



CONCRETE: C30/37:XF3-38



Skýringar:
Explanations:

Þáttur / Item	Stærð / Size	Stofn / Material	Þyngd / Weight	Stærð / Size	Stofn / Material	Þyngd / Weight
2	Issued for use	08.12.18	ÓS			
1	Issued for tendering	08.10.01	ÓS			

This drawing is the property of the Rio Tinto Alcan Iceland Ltd and handed out for personal use only. It may neither be copied nor made available to others without permission of the Rio Tinto Alcan Iceland Ltd. The receiver is liable for any misuse.		Fjöldi stykkja / Number of pieces: IV III II I	Hlutur / Object: IDP 410 - SUBSTATION 220 kV SWITCHYARD BLD. AND 60 kV SWITCHGEAR BLD. FOUNDATION, DETAILS AND SECTIONS 2/3	Alnúmer / Item: HRV	Efnitilfærni / Material: HS/LDB 2008.10.01	Þyngd / Weight: 250133	Stærð / Size: 250133	Stofn / Material: Alcan Iceland Ltd	Stærð / Size: 2
---	--	--	---	---------------------	--	------------------------	----------------------	-------------------------------------	-----------------

