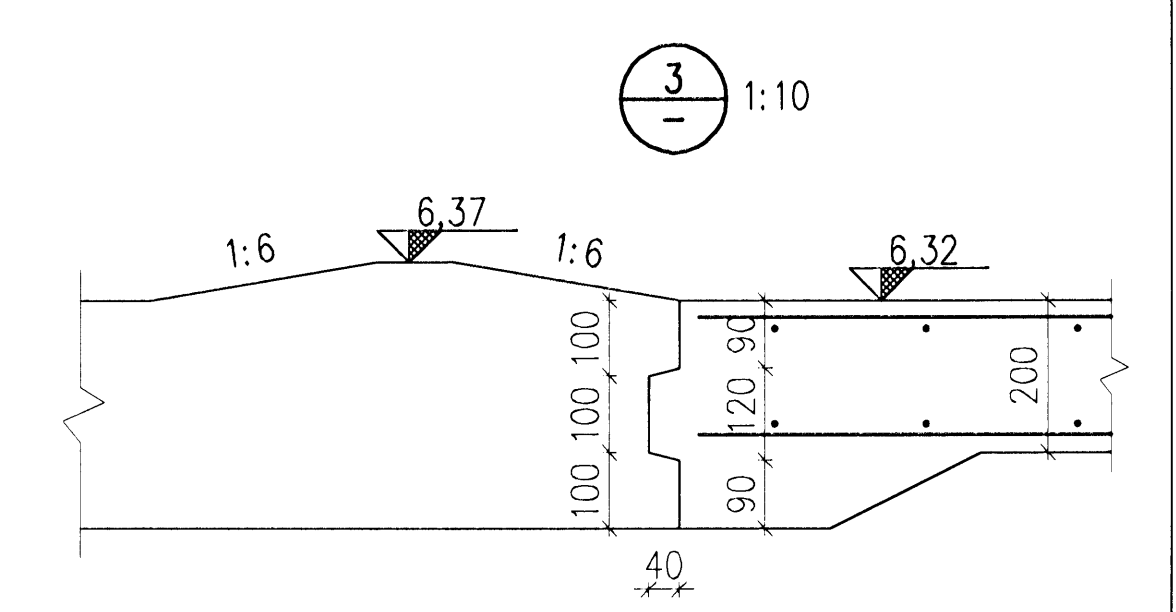
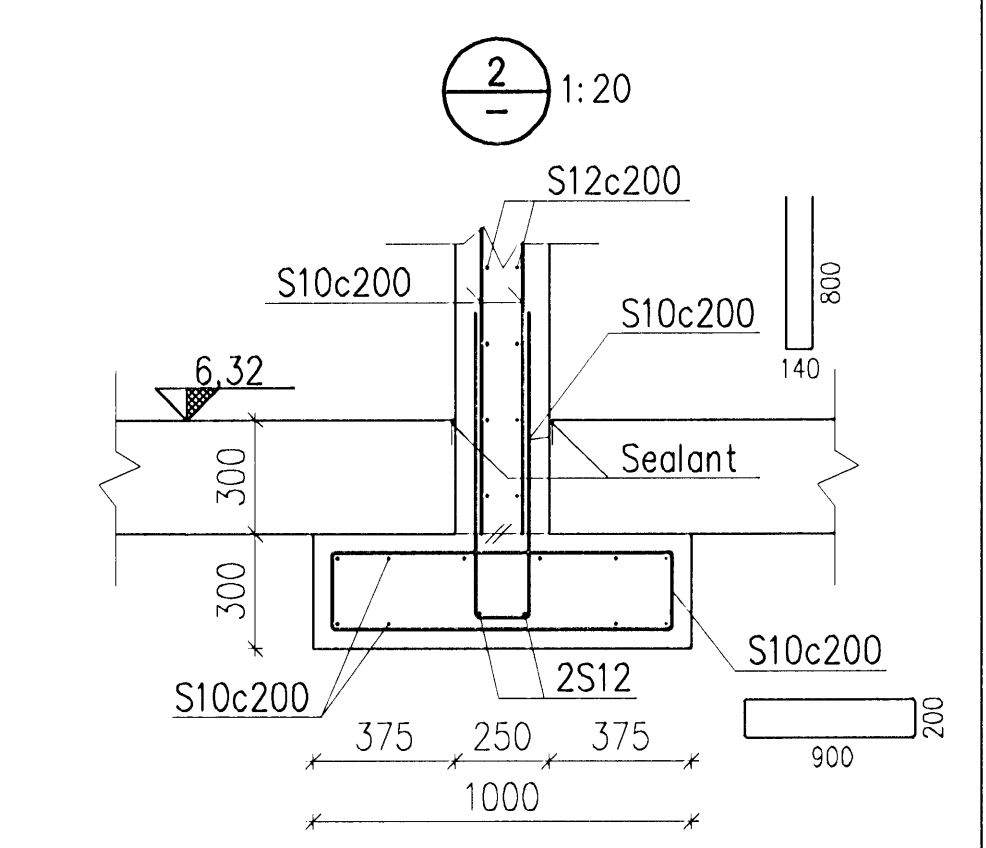
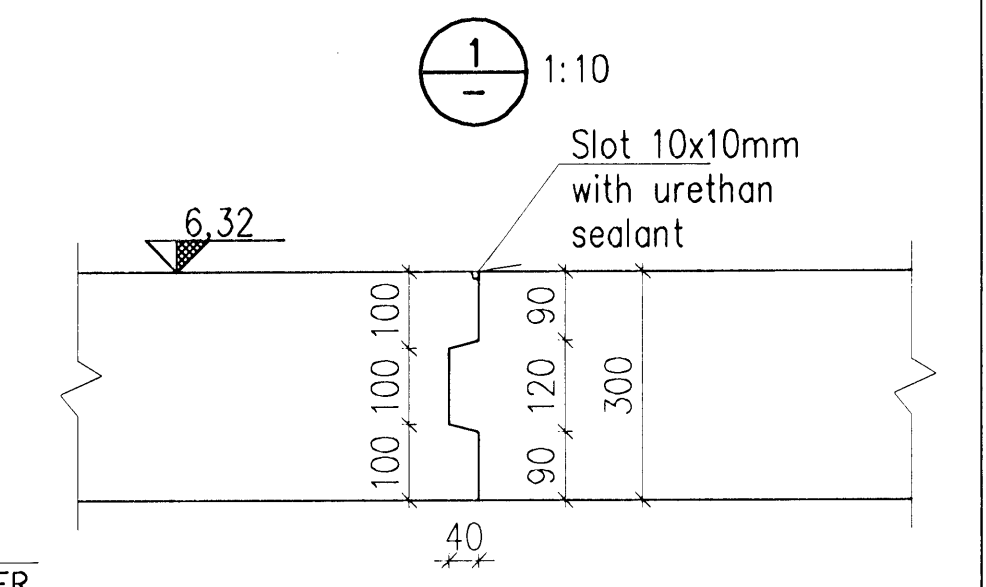
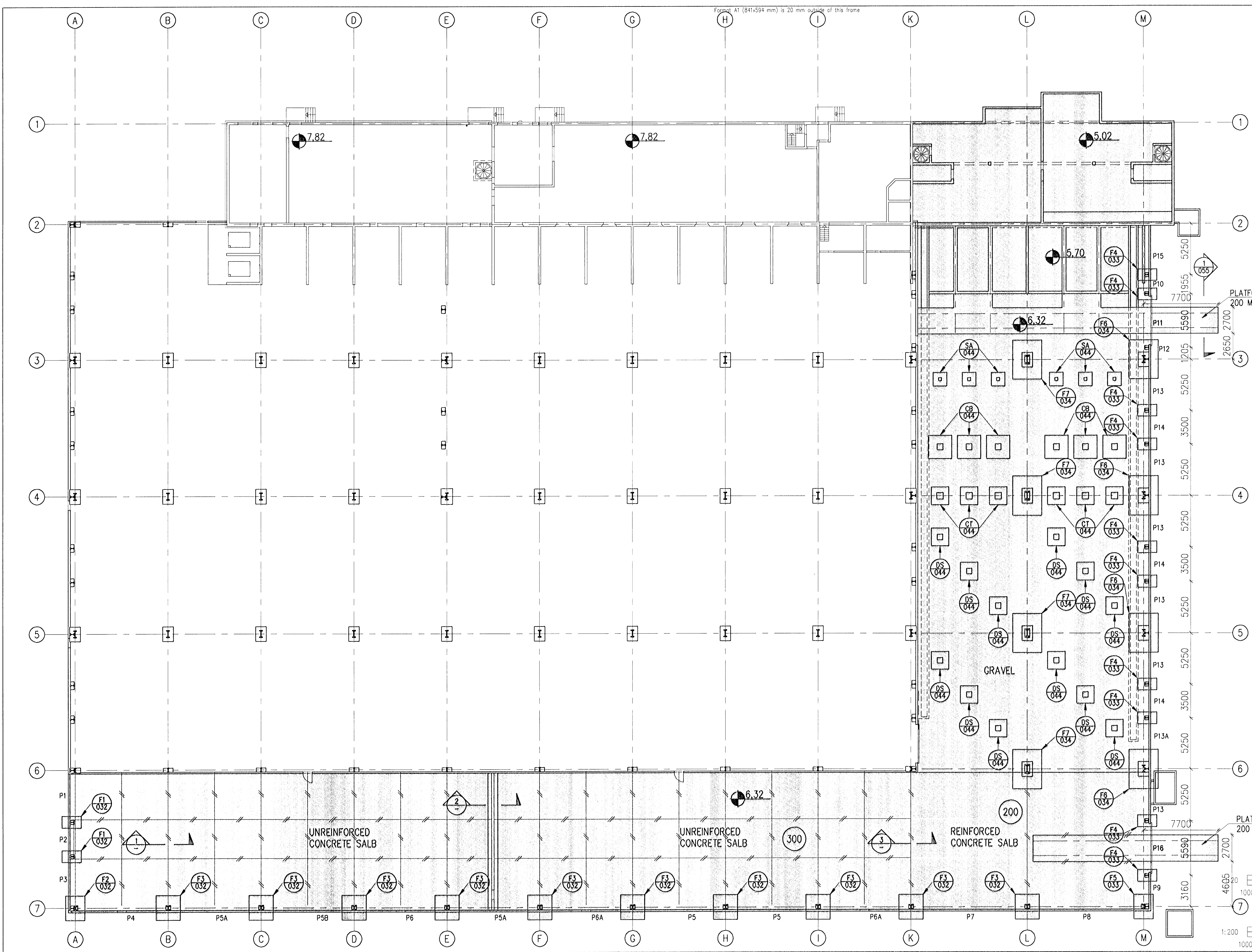


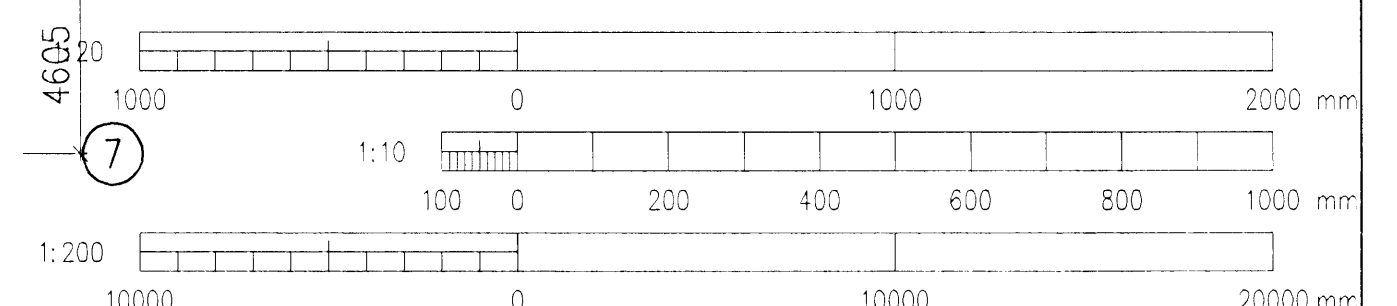
Format A1 (841x594 mm) is 20 mm outside of this frame

Sambýkkt þann
10 FEB 2009
Byggingafráttir / Hafnarfróði
Fh. Hrólfur S. Gunnlaugsson

Níli Indriásson
NÍ 46-18144-3449



PRECISEMENTS
P1-P16 are shown on drawing 058
CONCRETE: C30/37; XF3-38

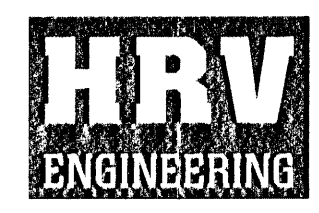


Skýringar:
Explanations:

2	Issued for use	08.12.18		
1	Issued for tendering	08.10.01	OS	

Breyt. / Rev. Breyting / Revision Dags. / Date Samp. / Approved Ntkt. heiml. / Released

Tve. tekiingur nr. ISAL / Ref. drawing no. of ISAL Samsettn tekiingur nr. ISAL / Assembly drawing no. of ISAL



This drawing is the property of the Rio Tinto Alcan Iceland Ltd and handed out for personal use only. It may neither be copied nor made available to others without permission of the Rio Tinto Alcan Iceland Ltd. The receiver is liable for any misuse.

Fjöldi stykja / Number of pieces	IV	III	II	I
Mytur / Object	IDP 410 - SUBSTATION			
Atv. / Item	220 kV SWITCHYARD BLD. AND 60 kV SWITCHGEAR BLD. FOUNDATION AND BOTTOM SLAB			
Efni / Material	HRV			
Stærð / Format	A1			
Skala / Scale	1:10/20/200			
Stærð / Format	IDP-410-CA-000-031			
Skala / Scale	2			
Stærð / Format	250131			
Skala / Scale	2			