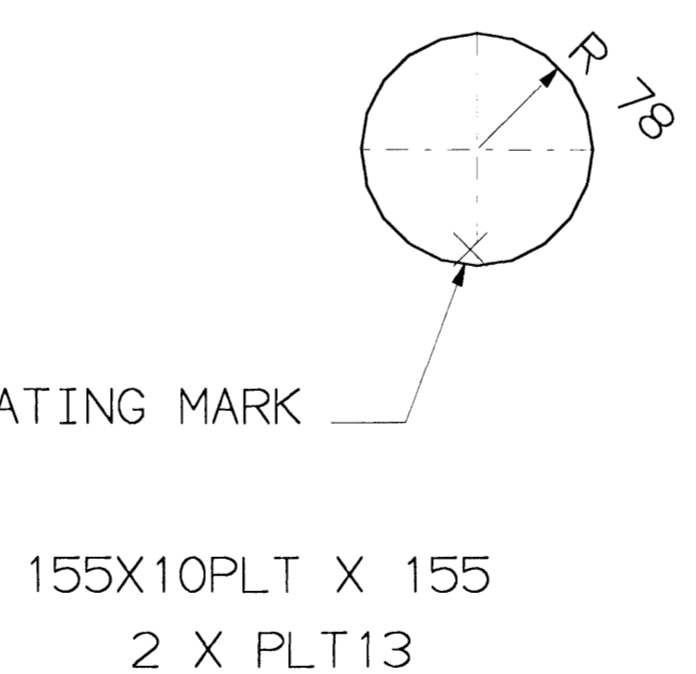
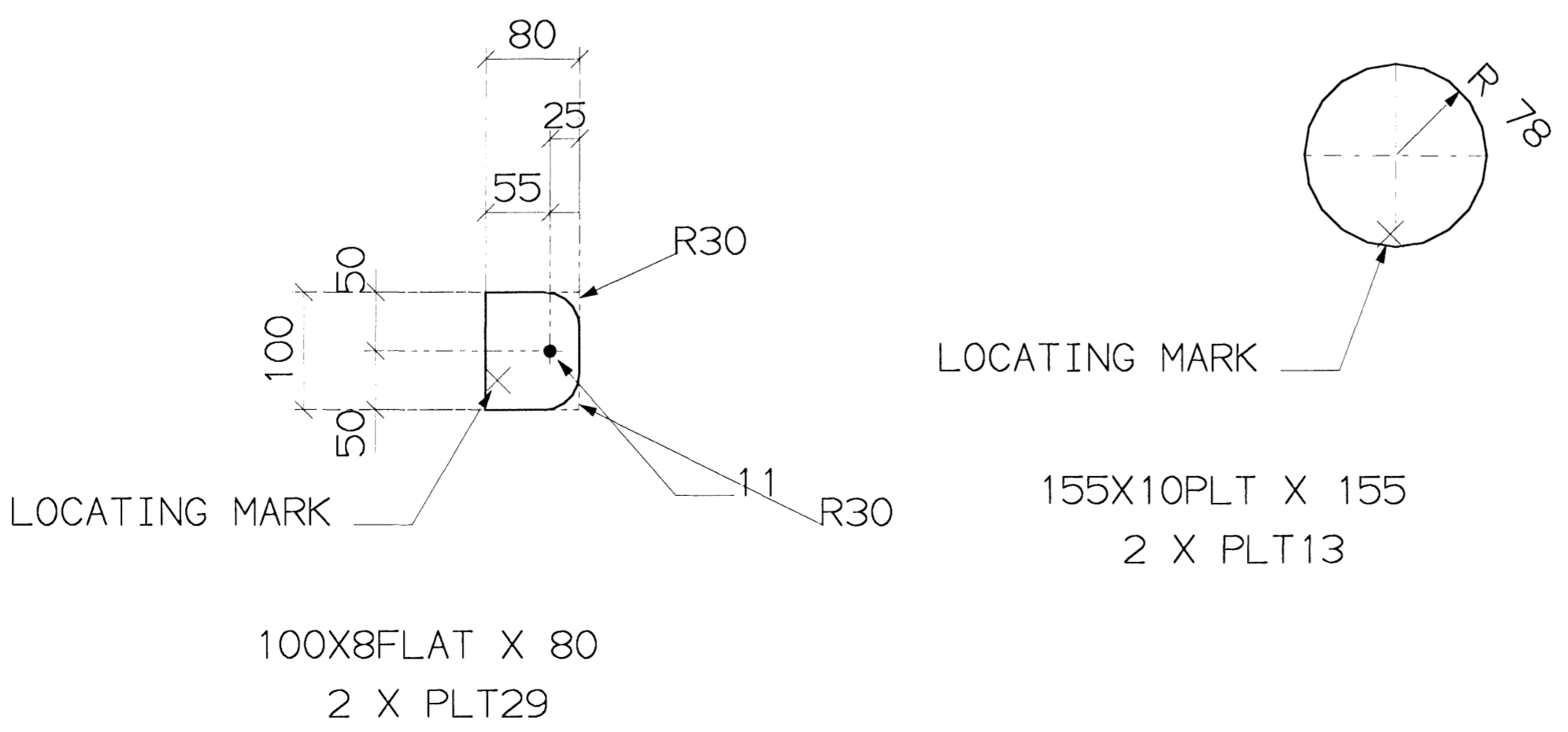
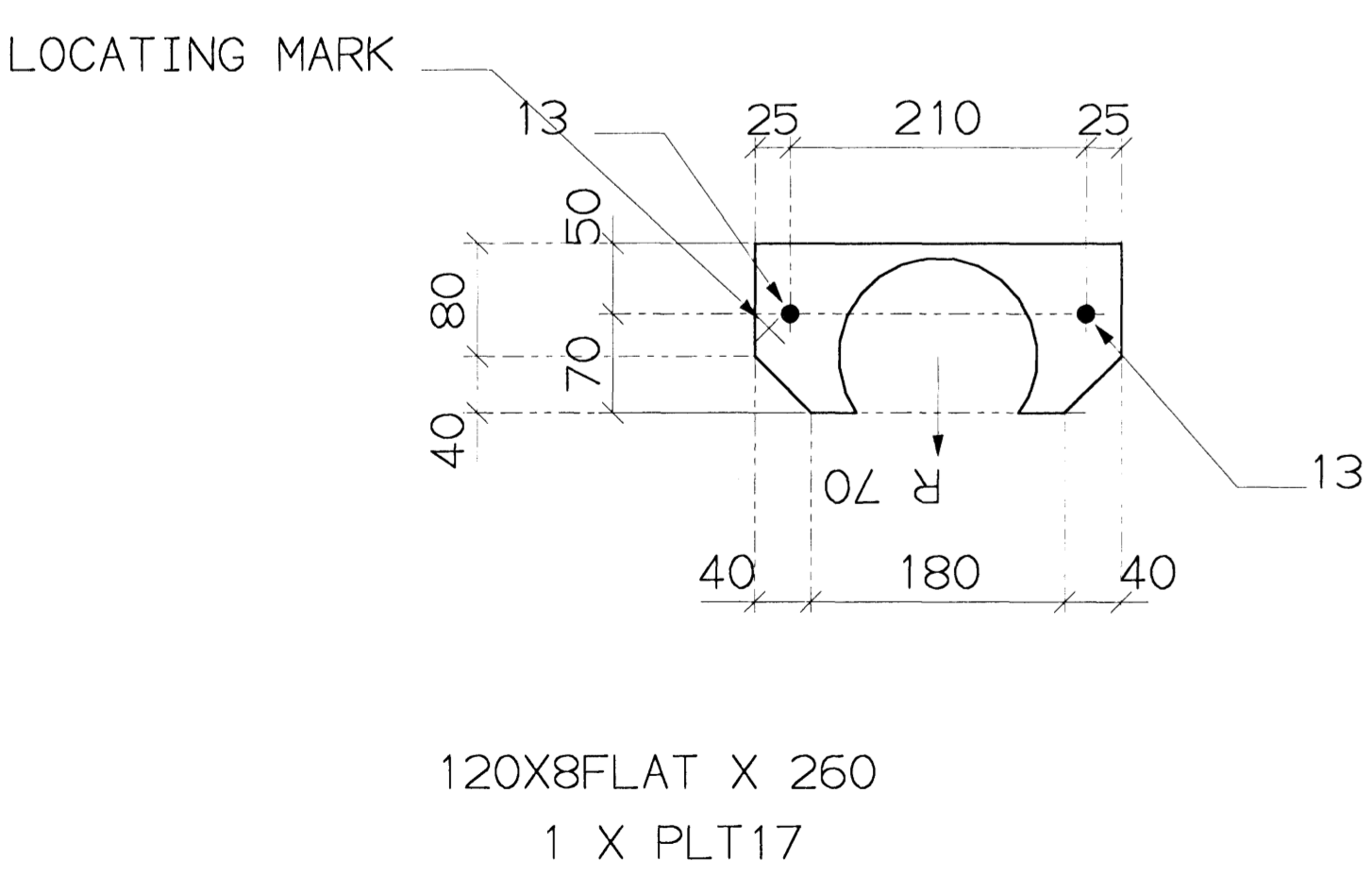
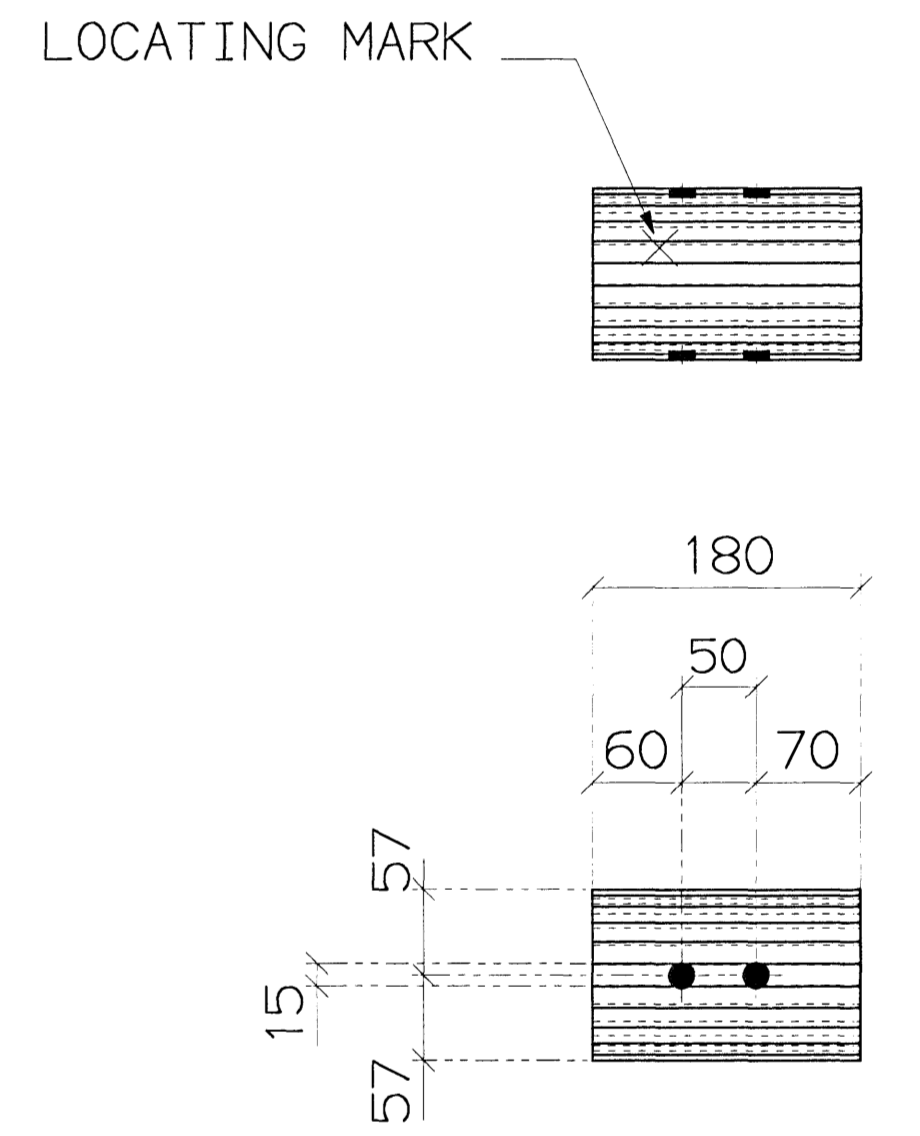
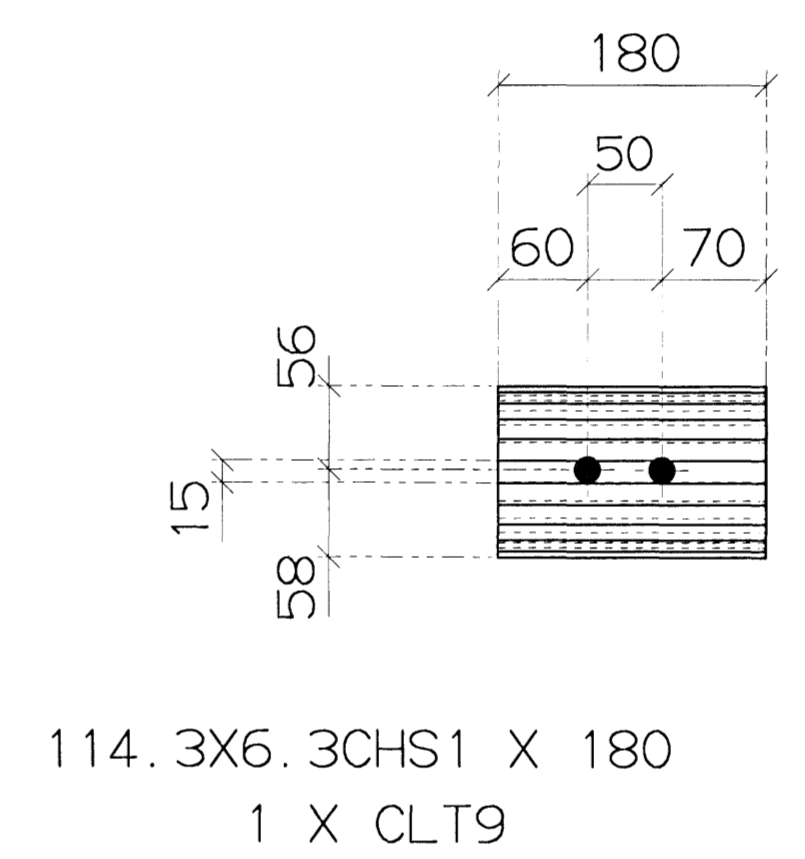


SHOP MATERIAL LIST FOR 1 ASSEMBLY						
MARK	SIZE	GRADE	LENGTH MM	No	AREA M2	WEIGHT KG
51	139.7X6.3CHS1	S235	3029	1	1.30	62.7
CLT8	114.3X6.3CHS1	S235	180	1	0.06	3.0
CLT9	114.3X6.3CHS1	S235	180	1	0.06	3.0
PLT13	155X10PLT	S235	155	2	0.11	3.8
PLT17	120X8FLAT	S235	260	1	0.07	2.0
PLT29	100X8FLAT	S235	80	2	0.04	1.0
TOTAL					1.64	75.5

LOCATION LIST	
GRID LOC.	GRID LOC.
1/0/5465	1/0/5043
1/0/5483	1/0/5061
1/0/5501	1/0/5080
1/0/5520	1/0/5098
1/0/5543	1/0/5121
1/0/5561	1/0/5140
1/0/5580	1/0/5158
1/0/5598	1/0/5176
1/0/5616	1/0/5195
1/0/5635	1/0/5213
1/0/5653	1/0/5231
1/0/5671	1/0/5250
1/0/5690	1/0/5268
1/0/5708	1/0/5286
1/0/5726	1/0/5305
1/0/5745	1/0/5323
1/0/5763	1/0/5341
1/0/5781	1/0/5360
1/0/5800	1/0/5378
1/0/5818	1/0/5396

RADIAL CUT DIMS GIVEN TO INTERSECTION POINTS



20 REQUIRED AS DRAWN MARKED 51

REV	BY	DATE	DETAILS

NOTES:
 ALL WELDS FOR HOLLOW SECTIONS a>1.0a: CONT. FILLED UNO, WHERE t IS THE WALL THICKNESS OF THE SECTION, OR FULL PENETRATION BUTT WELD.
 a = all noted weld sizes

GENERAL NOTES:
 ALL WELDS 6 mm UNO
 ALL HOLES 18 mm DIAM UNO
 TOTAL WEIGHT 75.5 kg.
 STEEL GRADE S235

CLIENT	BYKO
PROJECT	KAPLAKRIKI
TITLE	

DRAWN	MLM	01/04/08
CHECKED	IRB	5/5 '09

VGK HÖNNUN
 GRÉNASÁVEGI 1 108 REYKJAVÍK SIMI 422 3000 FAX 422 3001
 VEFPAÐ: www.vgkhonnun.is NETFAÐ: vgkhonnun@vgkhonnun.is

SCALE	JOB No	DWG No.	REV
NTS	7.120.257	51	

Samþykkt þann
12 MAY 2009
 Byggingafultrúinn í Hatnorrði
 E.h. Hrólfur S. Gunnlaugsson

[Signature]
 Kc. 110457-2789
 STRUCAD