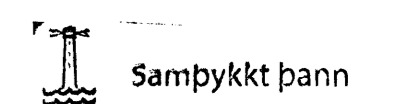
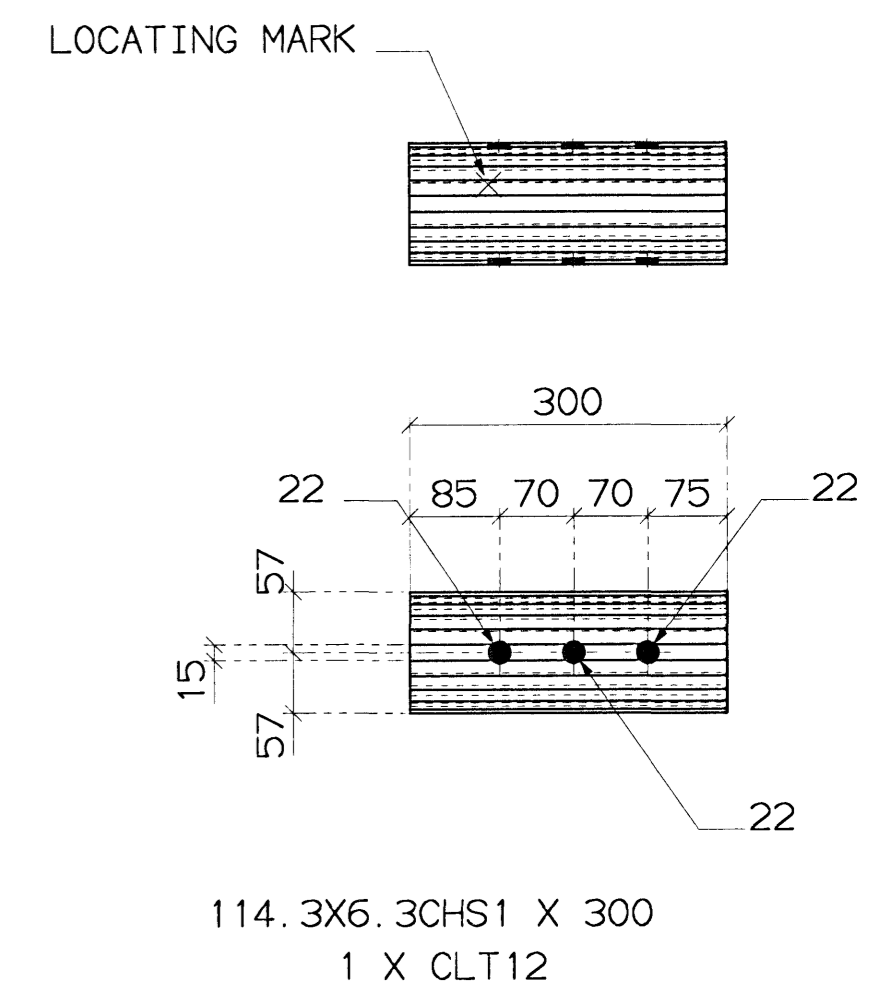


| SHOP MATERIAL LIST FOR 1 ASSEMBLY | | | | | | |
|-----------------------------------|---------------|-------|-----------|----|---------|-----------|
| MARK | SIZE | GRADE | LENGTH MM | No | AREA M2 | WEIGHT KG |
| 37-MMA | 139.7X10CHS | S235 | 5712 | 1 | 2.38 | 182.8 |
| CLT12 | 114.3X6.3CHS1 | S235 | 300 | 1 | 0.11 | 5.1 |
| PLT13 | 155X10PLT | S235 | 155 | 1 | 0.05 | 1.9 |
| PLT21 | 100X8FLAT | S235 | 100 | 8 | 0.19 | 5.0 |
| PLT22 | 100X8FLAT | S235 | 100 | 8 | 0.19 | 5.0 |
| TOTAL | | | | | 2.91 | 199.8 |

| ALLOCATION TO MULTI-MEMBER ASSEMBLIES | | | |
|---------------------------------------|------------------|-------------------|-------|
| ASSEMBLY MARK | No. Per ASSEMBLY | No. of ASSEMBLIES | TOTAL |
| MMA-12 | 1 | 5 | 5 |
| MMA-8 | 1 | 5 | 5 |

| LOCATION LIST | |
|---------------|-----------|
| GRID LOC. | GRID LOC. |
| 1/B/4397 | 1/B/3534 |
| 1/E/4397 | 1/E/3534 |
| 1/H/4397 | 1/H/3534 |
| 1/K/4397 | 1/K/3534 |
| 1/N/4397 | 1/N/3534 |
| 1/O/4397 | 1/O/3534 |
| 1/P/4397 | 1/P/3534 |
| 1/Q/4397 | 1/Q/3534 |
| 1/R/4397 | 1/R/3534 |
| 1/S/4397 | 1/S/3534 |

RADIAL CUT DIMS GIVEN TO INTERSECTION POINTS



12 MAY 2009

Byggingafultrúinn / Hafnarfróð / Fh. Hrólfur S. Gunnlaugsson

Kr. 110457-2789
STRUCAD

10 REQUIRED AS DRAWN MARKED 37-MMA

| REV | BY | DATE | DETAILS |
|-----|----|------|---------|
| | | | |

NOTES:
ALL WELDS FOR HOLLOW SECTIONS $a > 1.09t$ CONT. FILLED JOINT WHERE t IS THE WALL THICKNESS OF THE SECTION, OR FULL PENETRATION BUTT WELD

a = all noted weld sizes

GENERAL NOTES:
ALL WELDS 6 mm UNO
ALL HOLES 11 mm DIAM UNO
TOTAL WEIGHT 199.8 kg.
STEEL GRADE S235

| | |
|-----------------------|--------------------------|
| CLIENT BYKO | DRAWN MLM 14/04/08 |
| PROJECT KAPLAKRIKI | CHECKED IPG 5/5/09 |
| TITLE | |

| | | | |
|-------|-----------|---------|-----|
| SCALE | JOB No | DWG No. | REV |
| NTS | 7.120.257 | 37-MMA | 1 |

VGK HÖNNUN
GRENSASVEGI 1 108 REYKJAVÍK SIM: 422 3000 FAX: 422 3001
VEFFANG www.vgkhonnun.is NETFANG vgkhonnun@vgkhonnun.is