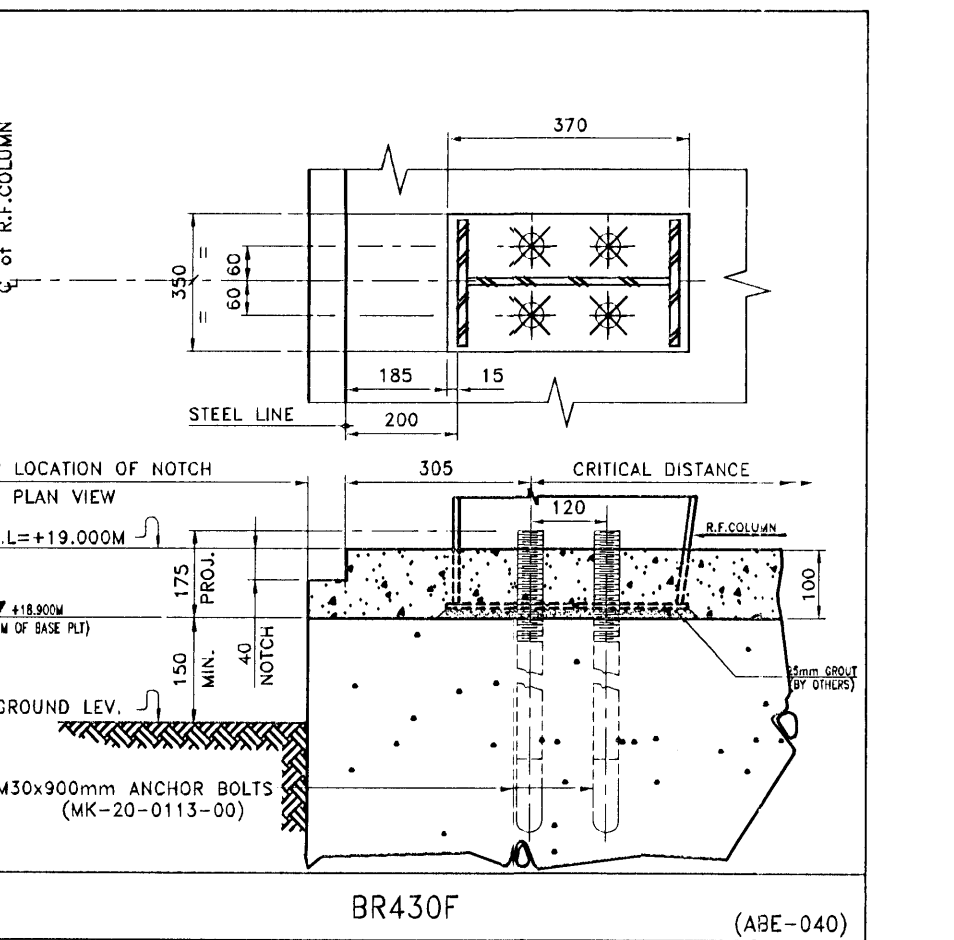
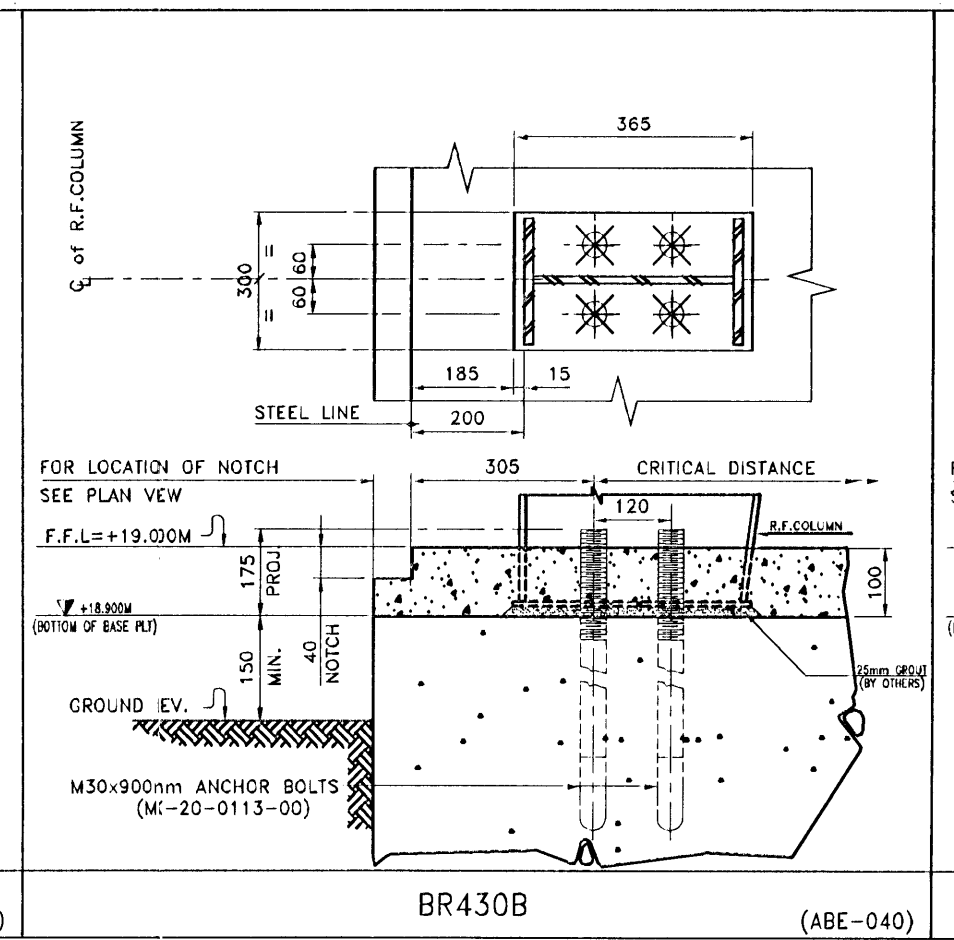
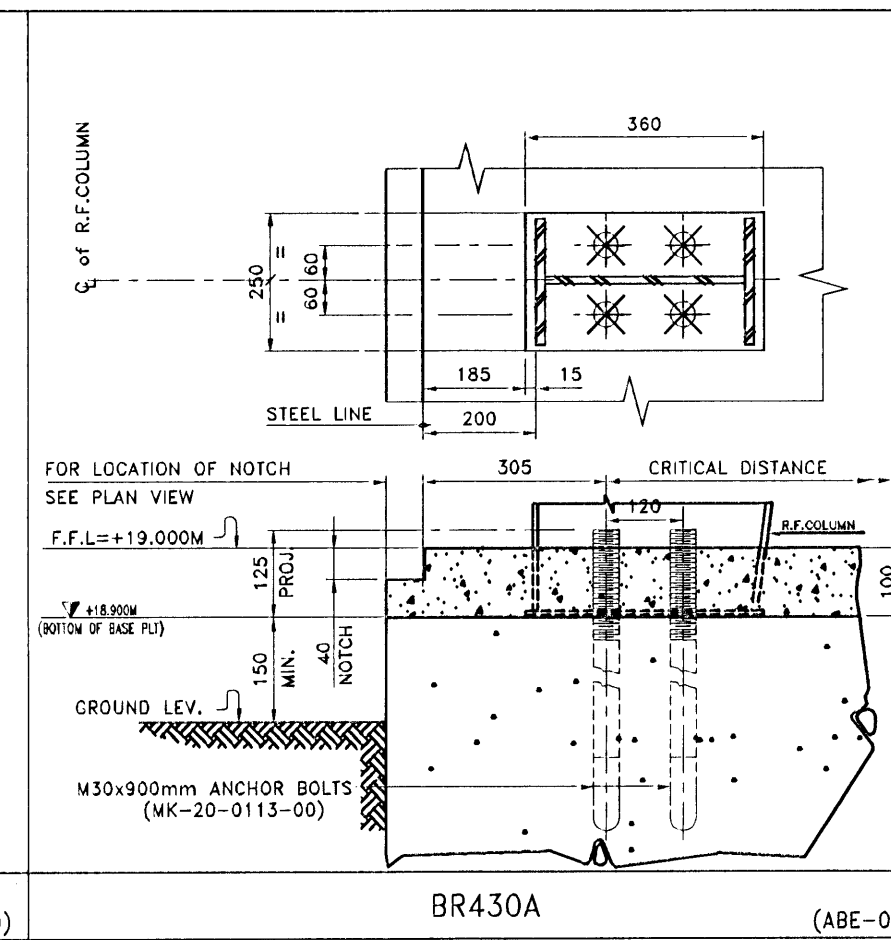
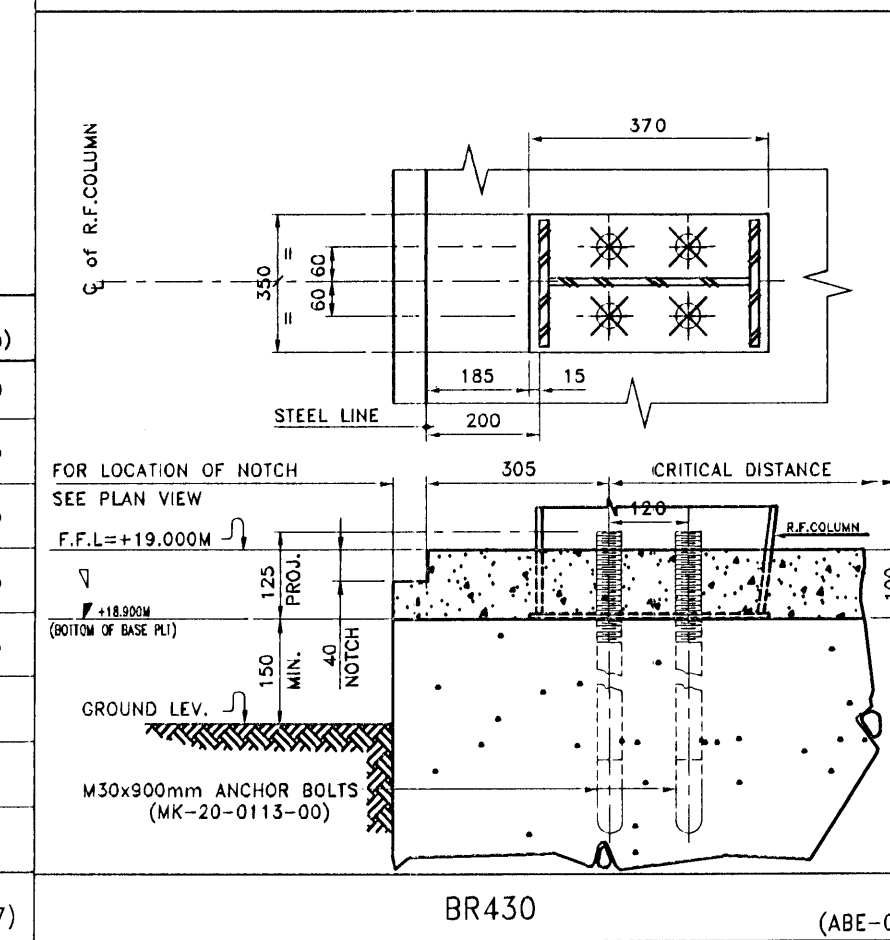


ANCHOR BOLT SCHEDULE (ABE-057)

QUAN.	SYM.	SIZE	PART MARK	A (mm)	B (mm)	C (mm)	R (mm)	D (mm)
	●	M16	20-0110-00	400	90	80	24	100
136	●	M20	20-0111-00	500	110	100	30	125
	●	M24	20-0112-00	600	140	128	40	125
136	●	M30	20-0113-00	900	170	160	50	175
120	●	M36	20-0114-00	1000	210	192	60	175



VST Verkfræðistofa Sigurðar Thoróðsson hf. 26. JUNI 2008

NO.	DATE	DESCRIPTION	DRN	CHK	DSN
2	22.01.2008	ISSUED FOR CONSTRUCTION	NSK	TPS	IPC
1	24.11.2007	RE-ISSUED FOR APPROVAL	MGK	VRA	IPC
0	25.10.2007	ISSUED FOR APPROVAL	KRT	VRA	IPC

ZAMIL STEEL ENGINEERING DEPARTMENT

ZS JOB NO. : V7-D567 BUILDING NO.: 01
PROJECT NAME : HEDINN HOUSE
CUSTOMER : HEDINN
JOBSITE LOCATION : HAFNAFIRDI, ICELAND
DRAWING TITLE : ANCHOR BOLT DETAILS DRAWING NO. F02