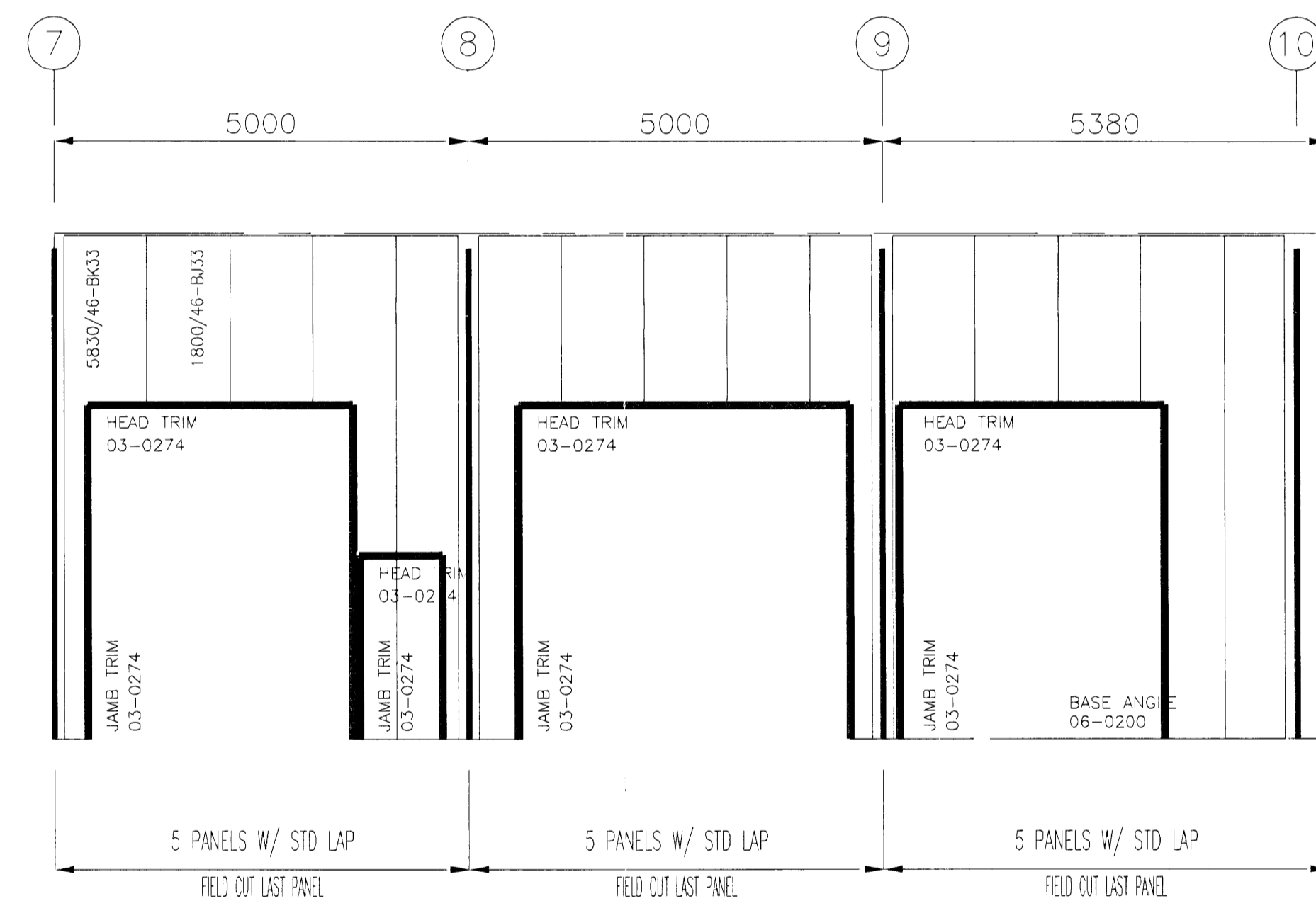


SIDEWALL LINER SHEETING LAYOUT @ GRID - D

Panel = TYPE-R, Base Metal = STEEL, Thickness = 0.50mm., Color = FROST WHITE



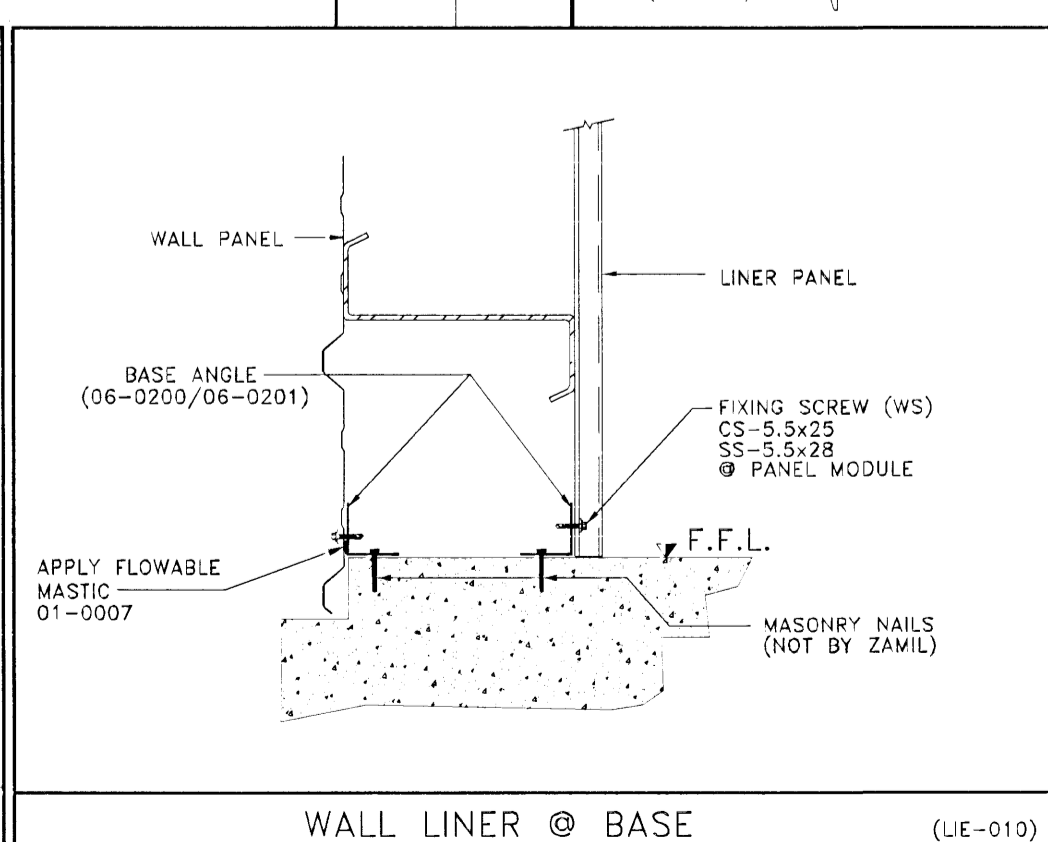
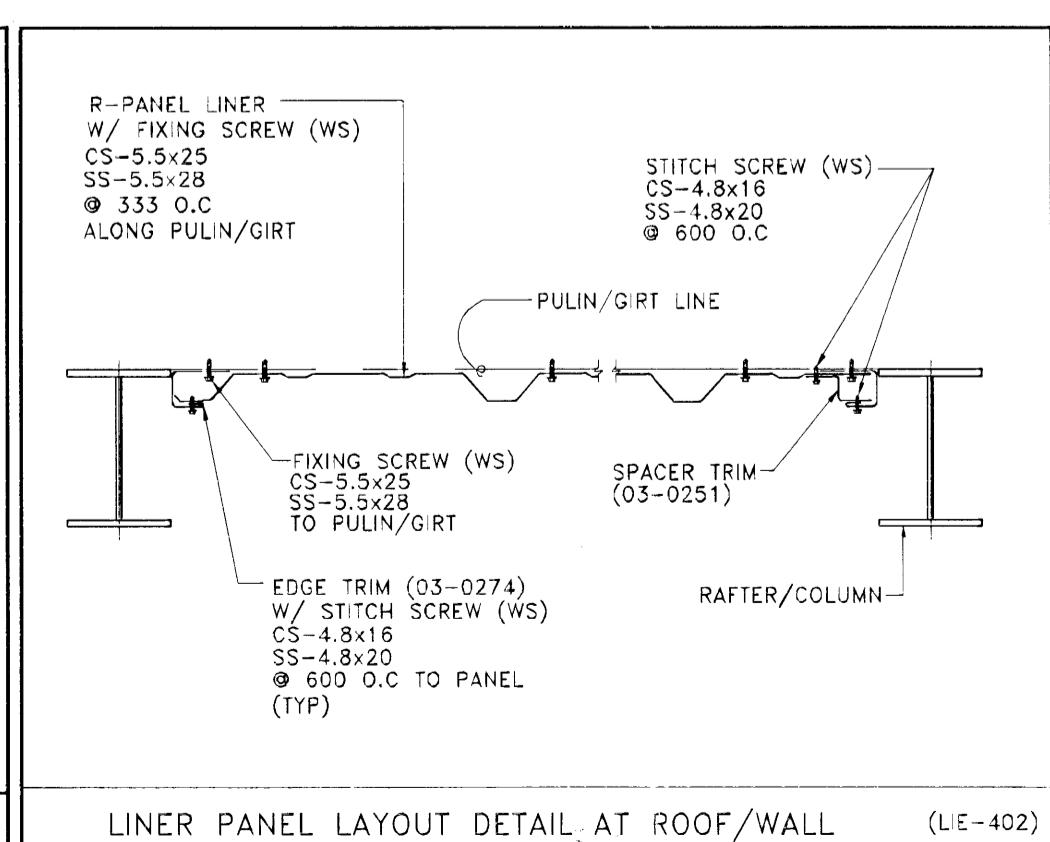
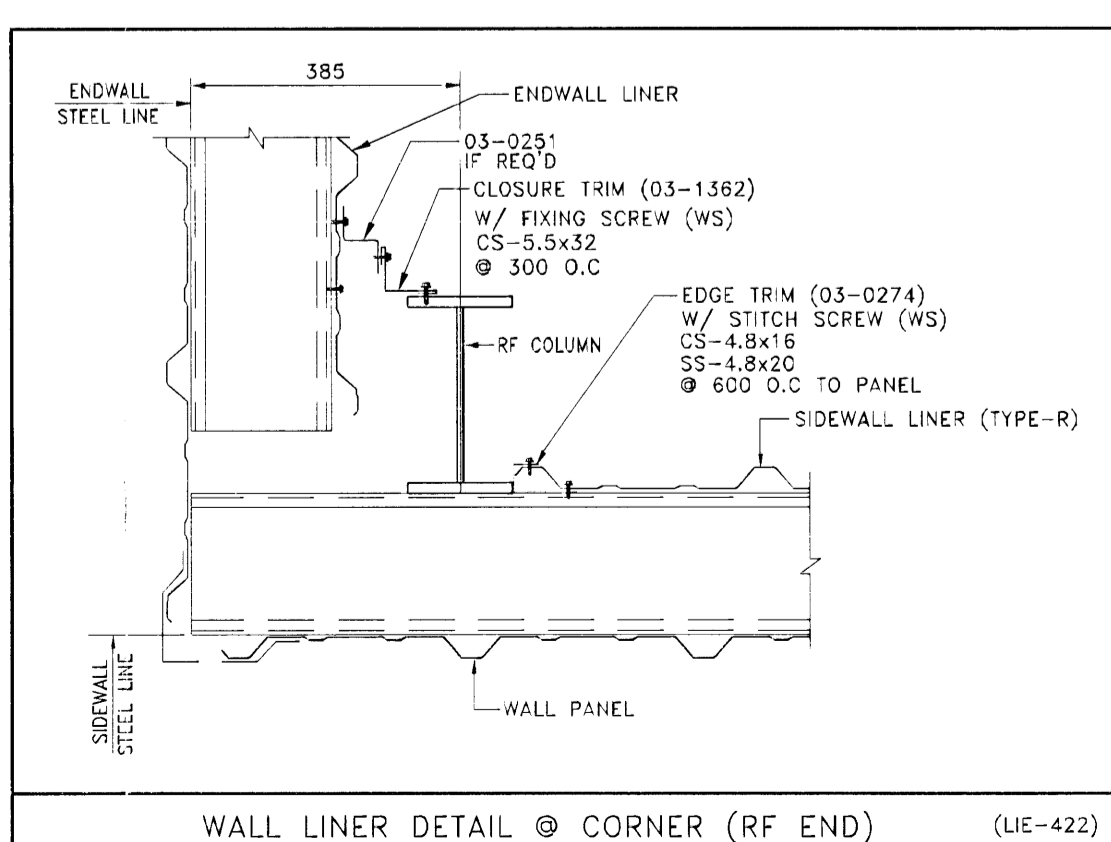
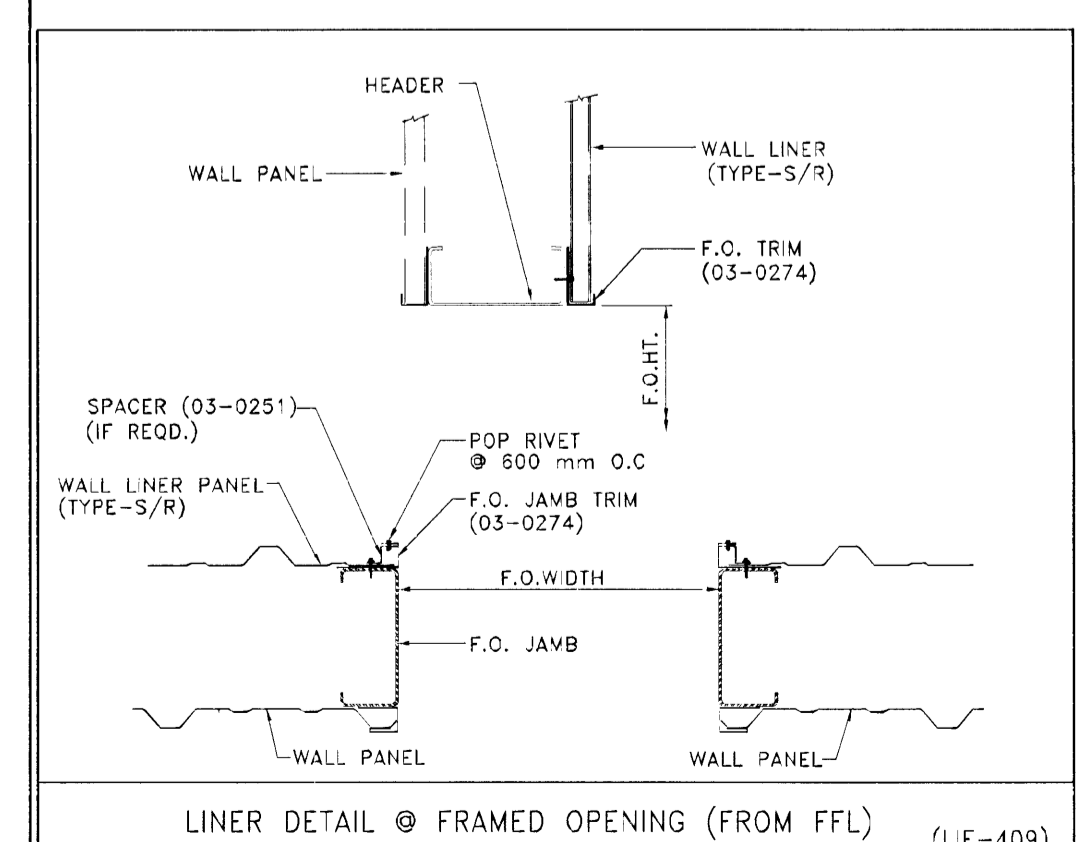
SIDEWALL LINER SHEETING LAYOUT @ GRID - A

Panel = TYPE-R, Base Metal = STEEL, Thickness = 0.50mm., Color = FROST WHITE

SELF DRILLING FASTENERS SCHEDULE @ WALL		
FASTENER TYPE	USAGE	FASTENER PART NUMBER
		CARBON STEEL "CS"
FIXING SCREWS	WALL SCREW (WS)	CS-5.5x25 (01-0481)
		CS-5.5x45 (01-0482)
STITCH SCREWS	WALL SCREW (WS)	CS-4.8x16 (01-0480)
FIXING SCREWS	GENERAL SCREW (GS)	CS-5.5x25 (01-0481)
		CS-5.5x32 (01-0486)

Samþykkt þann
01 DEC 2008
Byggingafulltrúðinn/Hafnafirði
Fh. Hrólfur S. Gunnlaugsson

Samþykkt þann
150745/4929



NO.	DATE	DESCRIPTION	DRN	CHK	DSN
3	07.06.2008	ISSUED FOR CONSTRUCTION	ASU	AVP	TMM
2	18.03.2008	RE-ISSUED FOR APPROVAL	HKS	REN	TMM
1	27.11.2007	RE-ISSUED FOR APPROVAL	HKS	REN	RMR
0	08.10.07	ISSUED FOR APPROVAL	SAK	REM	RMR

الزامل للحدید
ZAMIL STEEL
ENGINEERING DEPARTMENT

ZS JOB NO. : V7-D568 BUILDING NO.: 01
PROJECT NAME : SIBERIA HOUSE
CUSTOMER : HEDINN
JOB SITE LOCATION : HAFNAFIRDI, ICELAND
DRAWING TITLE :
DRAWING NO. : E10