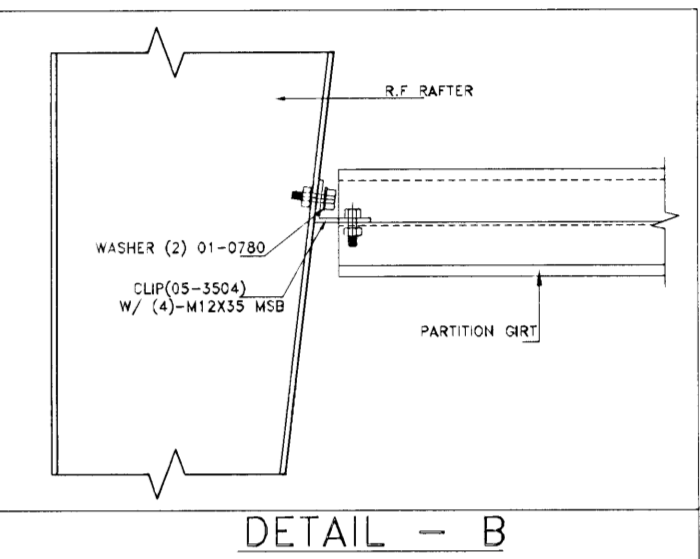
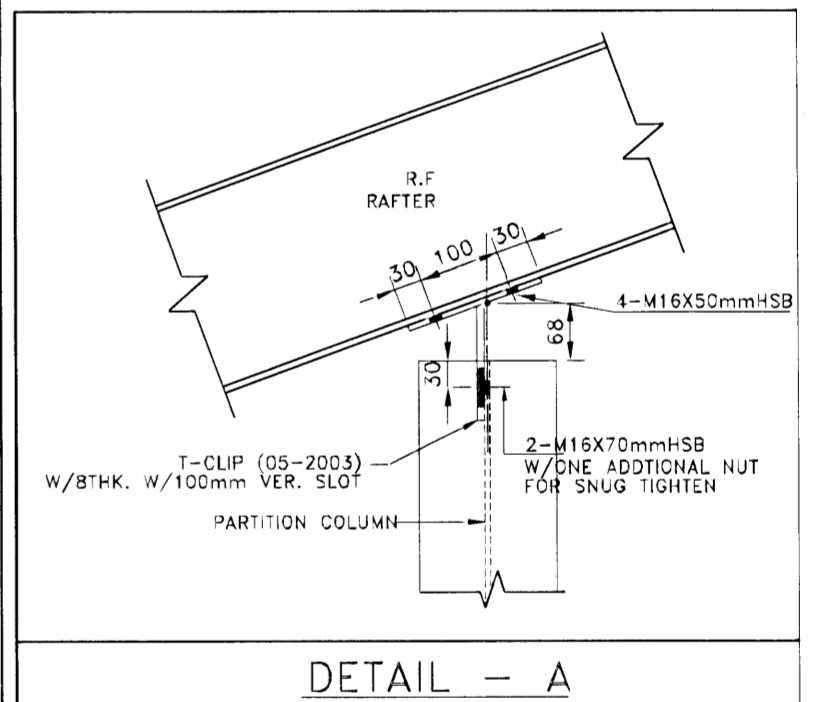


PARTITION FRAMING ELEVATION

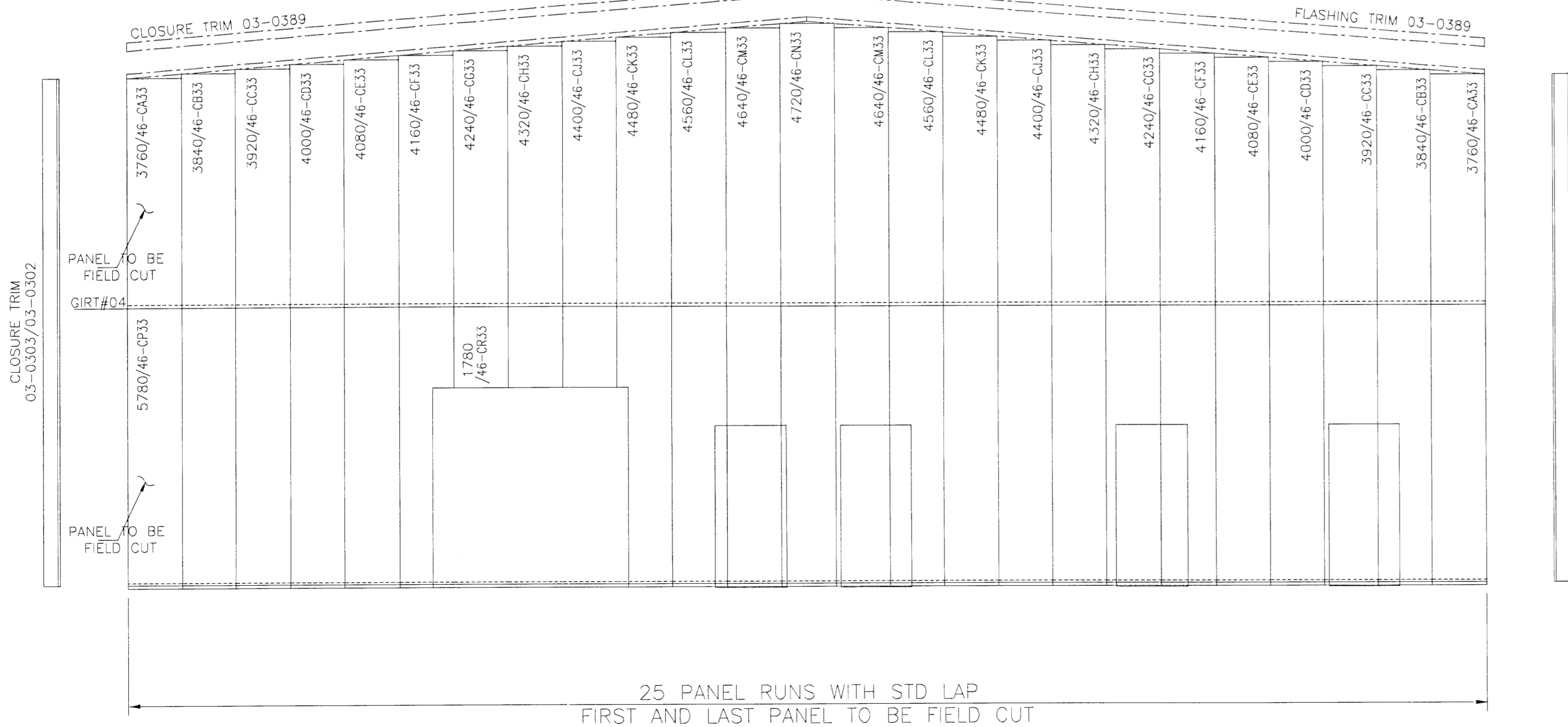
(O) GRID LINE - D
BLOCK WORK
BY OTHERS



DETAIL - B



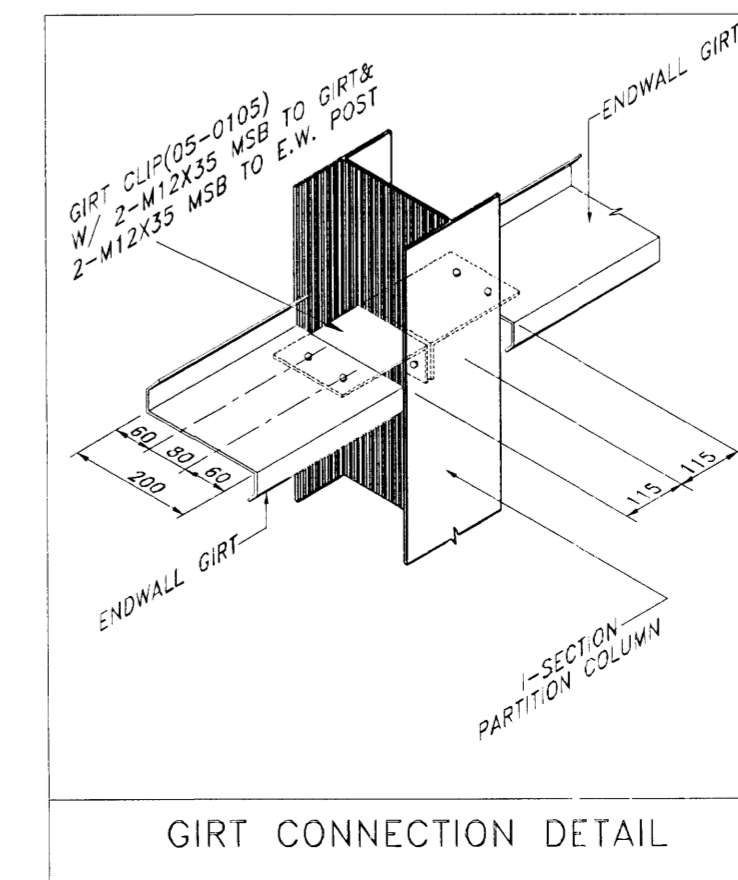
DETAIL - A



PARTITION SHEETING ELEVATION

@GRID - D

Panel = TYPE-R, Base Metal = STEEL, Thickness = 0.50mm., Finish = FROST WHITE



GIRT CONNECTION DETAIL

ASK
26. maí 2008
Hafnarfirði

VST Verkfæðistofa
Sigurðar Thorodsson hf.
F.h. VST hf., Hljófur Harssonar 150946-4929

NO.	DATE	DESCRIPTION	DRN	CHK	DSN
2	20.03.2008	ISSUED FOR CONSTRUCTION	NSK	TPS	IPC
1	24.11.2007	RE-ISSUED FOR APPROVAL	MKG	VRA	IPC
0	25.10.2007	ISSUED FOR APPROVAL	KRT	VRA	IPC

ZAMIL STEEL ENGINEERING DEPARTMENT

ZS JOB NO. : V7-D567 BUILDING NO.: 01
PROJECT NAME : HEDINN HOUSE
CUSTOMER : HEDINN
JOBSITE LOCATION : HAFNAFIRDI, ICELAND
DRAWING TITLE : PARTITION FRAMING AND SHEETING ELEVATIONS
DRAWING NO. : E33