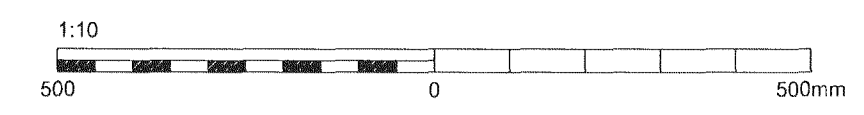
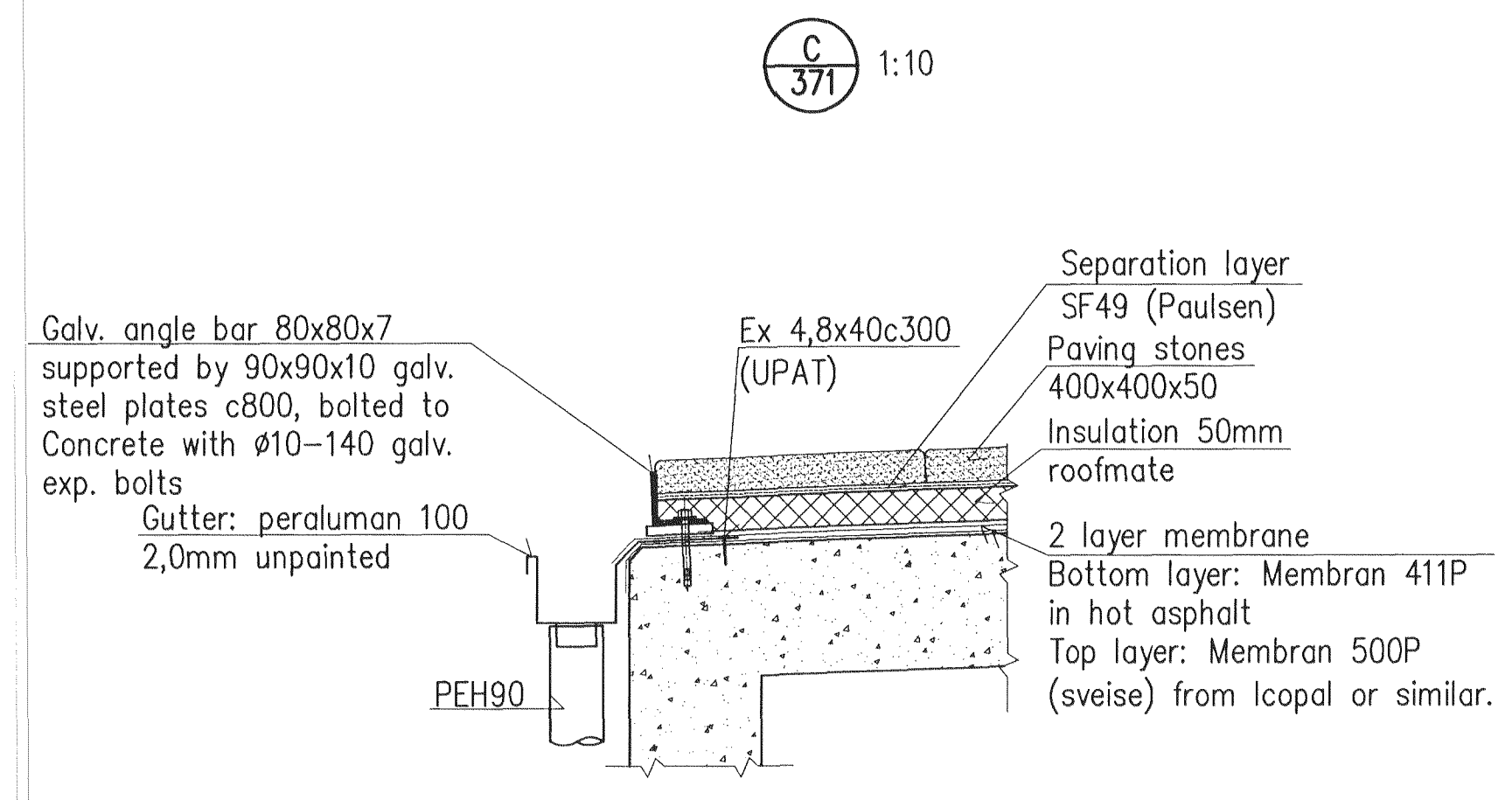
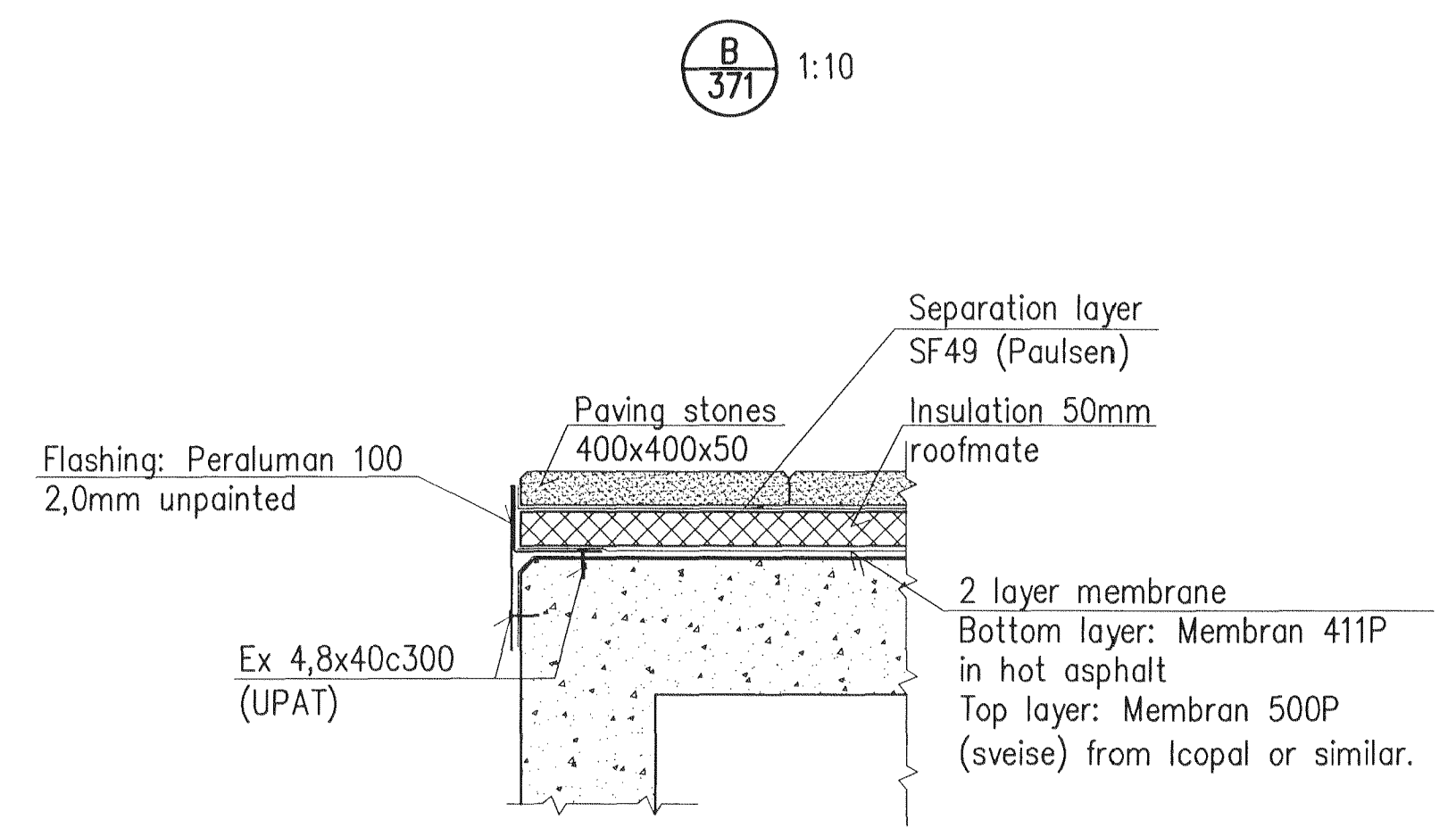
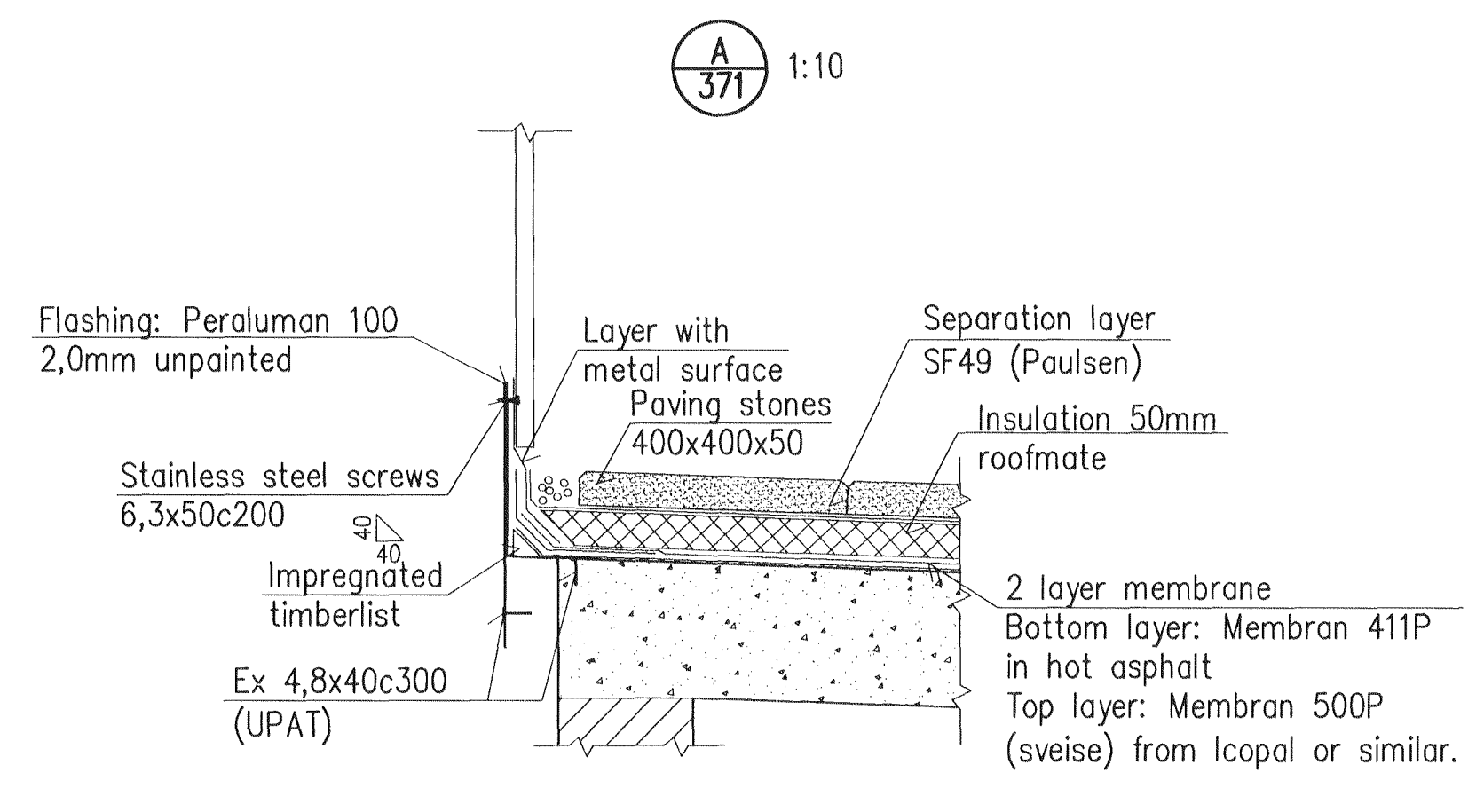


Níel Indriðason
 N 1311443949



Skýringar: Legend:								This drawing is the property of Rio Tinto Alcan Iceland Ltd. and handed out for personal use only. It may neither be copied nor made available to others without permission of Rio Tinto Alcan Iceland Ltd. The receiver is liable for any misuse.	HRV ENGINEERING	Dagsetting / Date: 2011.02.21 Hönnuð / Designed: GMG Verktaki / Supplier: HRV Tökn.nr.verktaka / Supplier drw.no: IDP-410-CA-015-389 Sambýkkt / Approved: NI Hlutur af: / Part of:	IPU 410 – RECTIFIER BUILDINGS INTAKE BUILDINGS PL 2 & 3 ROOF, SECTIONS Teg.teikningar / Dwg. type: BUILDING FITTOUT RioTintoAlcan Alcan Iceland Ltd. Straumsvík IS-222 Hafnarfjörður Ísland	Flokkur nr.: Blað nr.: Næsta bl. nr.: Kostn.nr.-Coco. / Bl. nr.-Eq.no. AKS	Tekn.nr. ISAL / Draw.no. of ISAL: C Breyt./Rev.:		
	11 Issue for construction	11.03.01	GMG	NI	ÓS	NI	NI								
Ög. nr. Rev. no.	Lýsing Description							Dagsetting Date	Hönnuð/ Des/Draw	Yfir/ Ckd	Notk./heim/ Suppl. Rel	Notk./heim/ ISAL Rel	ISAL 131144 og skráð, dags / ISAL Checked, date ISAL Sambýkkt, dags / ISAL Approved, date		