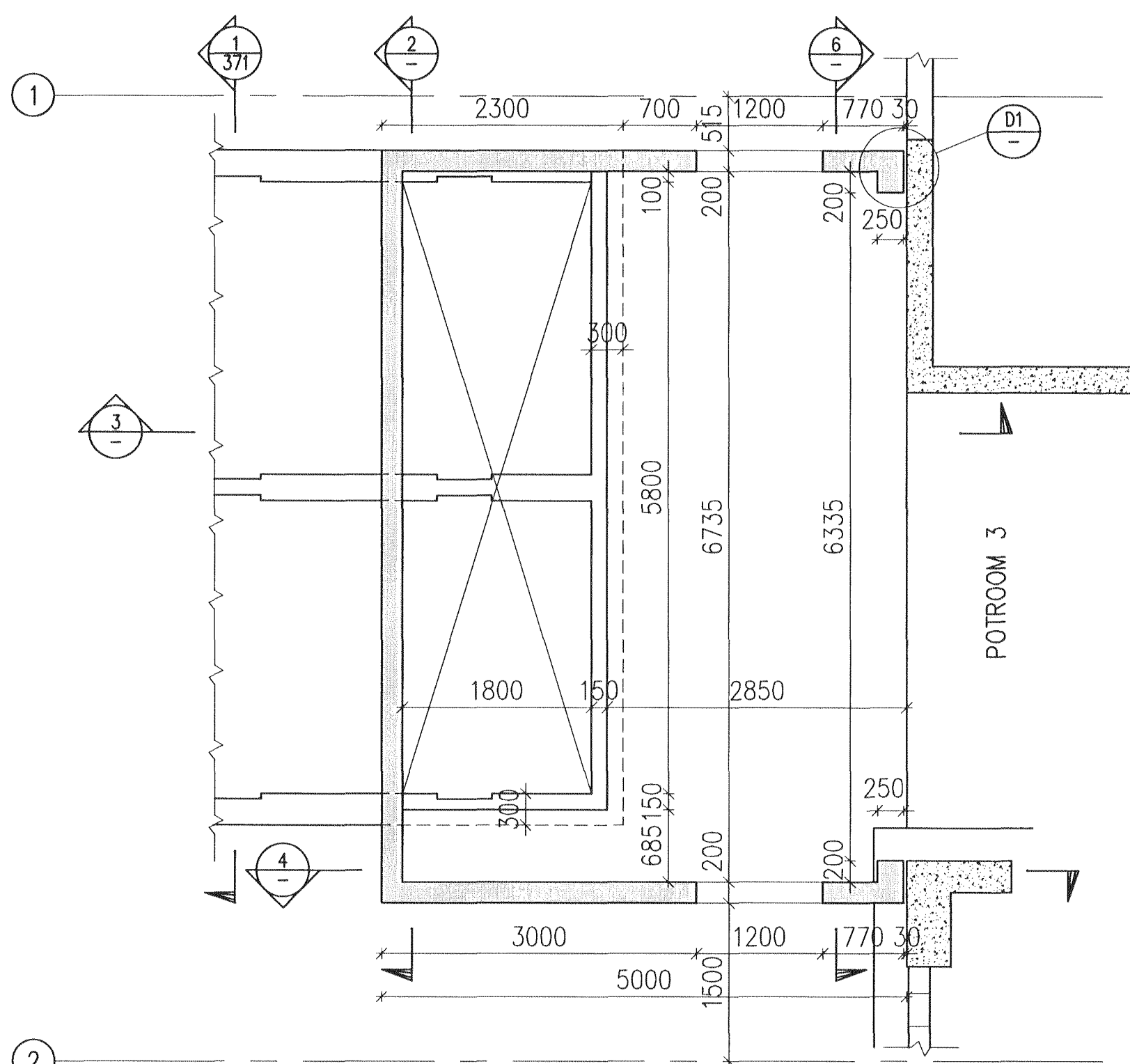
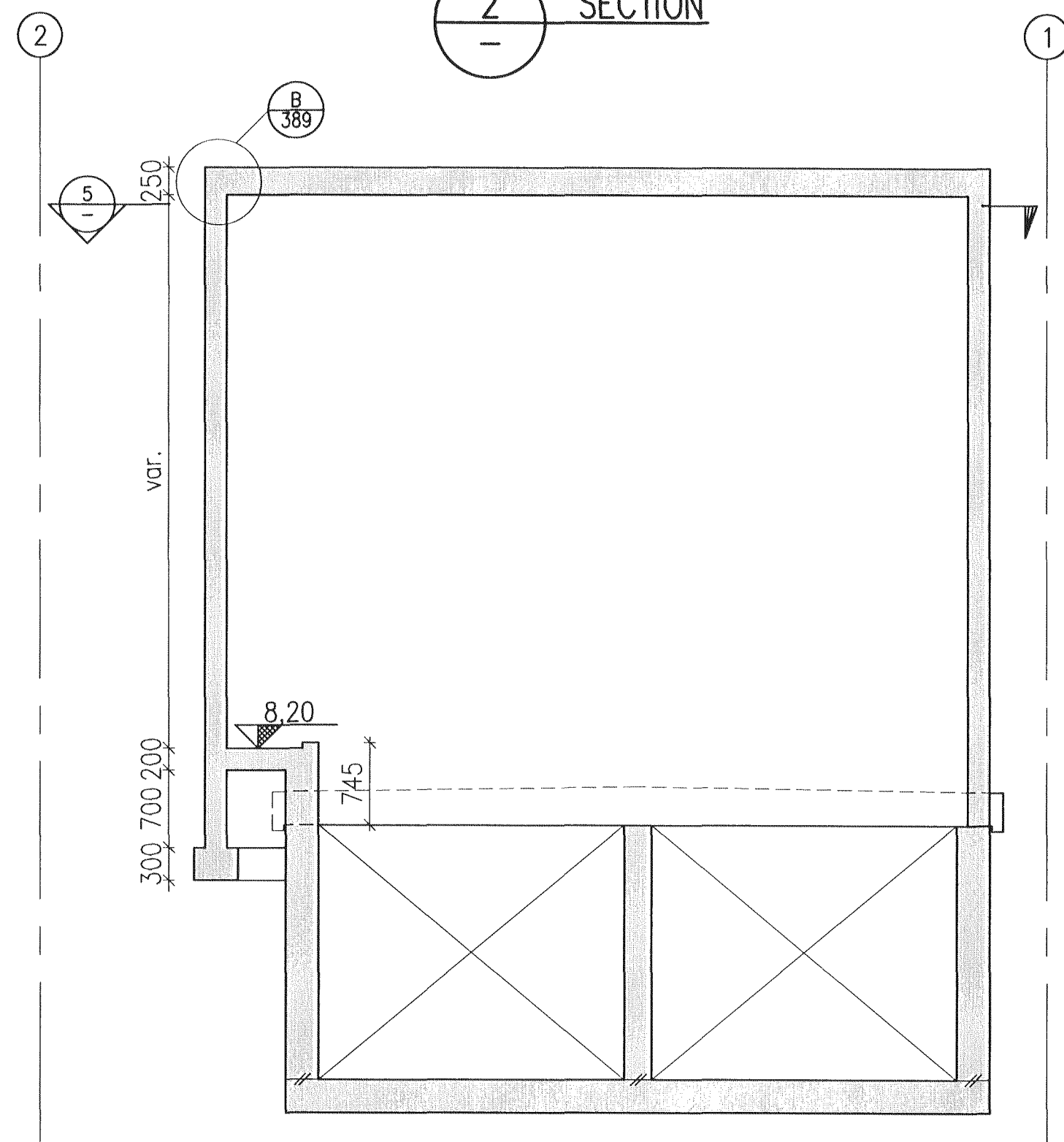


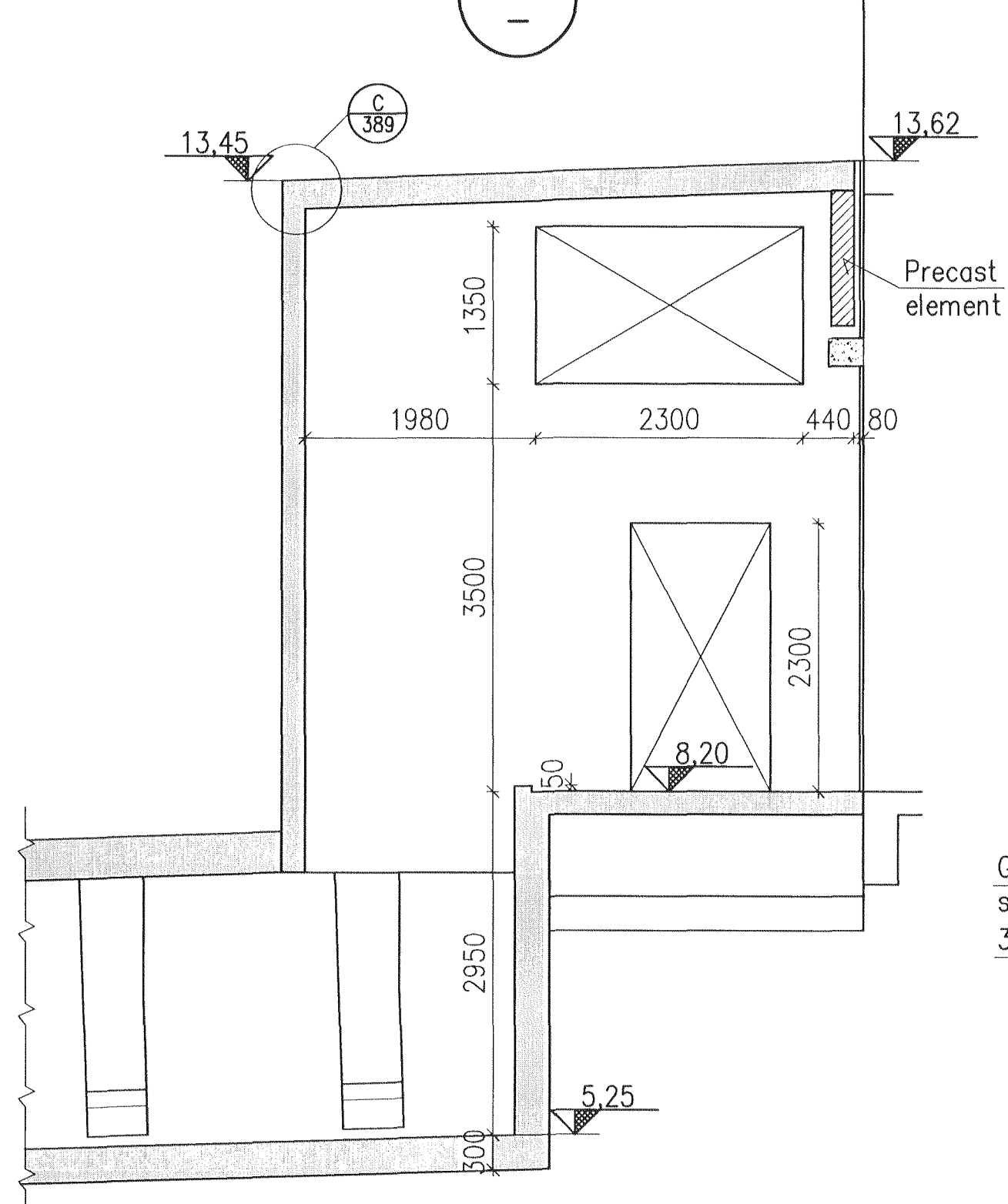
PLAN VIEW



SECTION 2



SECTION 3



Samþykkt þann

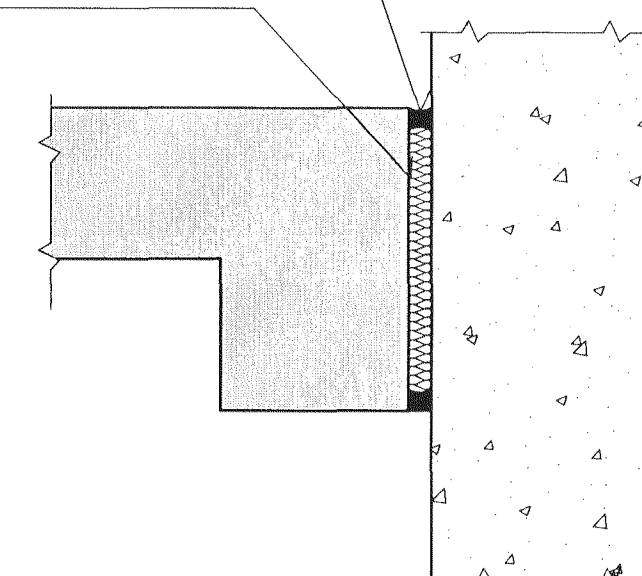
05 APR 2011

Byggingafræðingur / Hafnarfræðingur
F.h. Hrólfur S. Gunnlaugsson

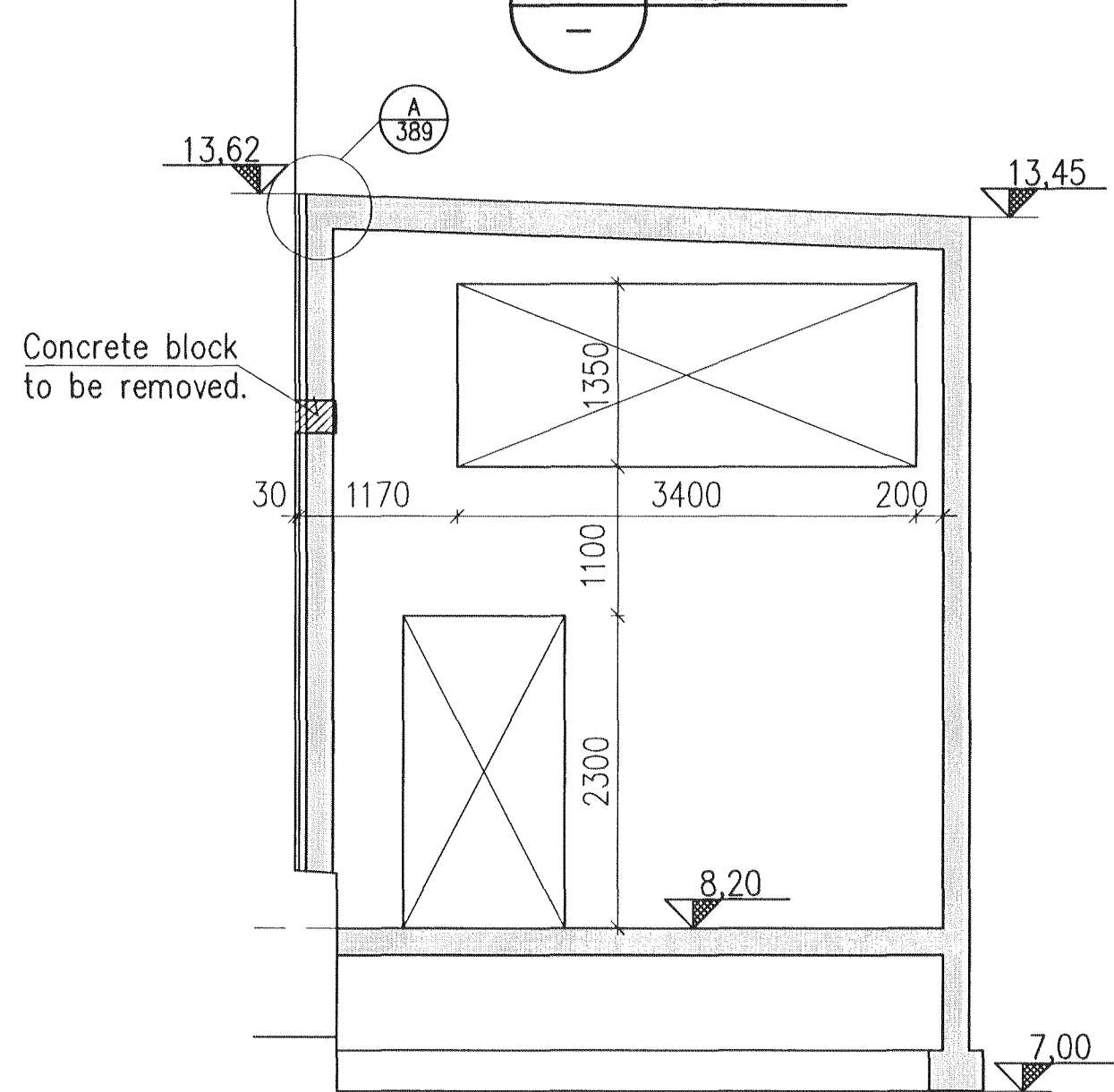
Níel Indriðsson
N.I. 181144-3549

D1 1:10

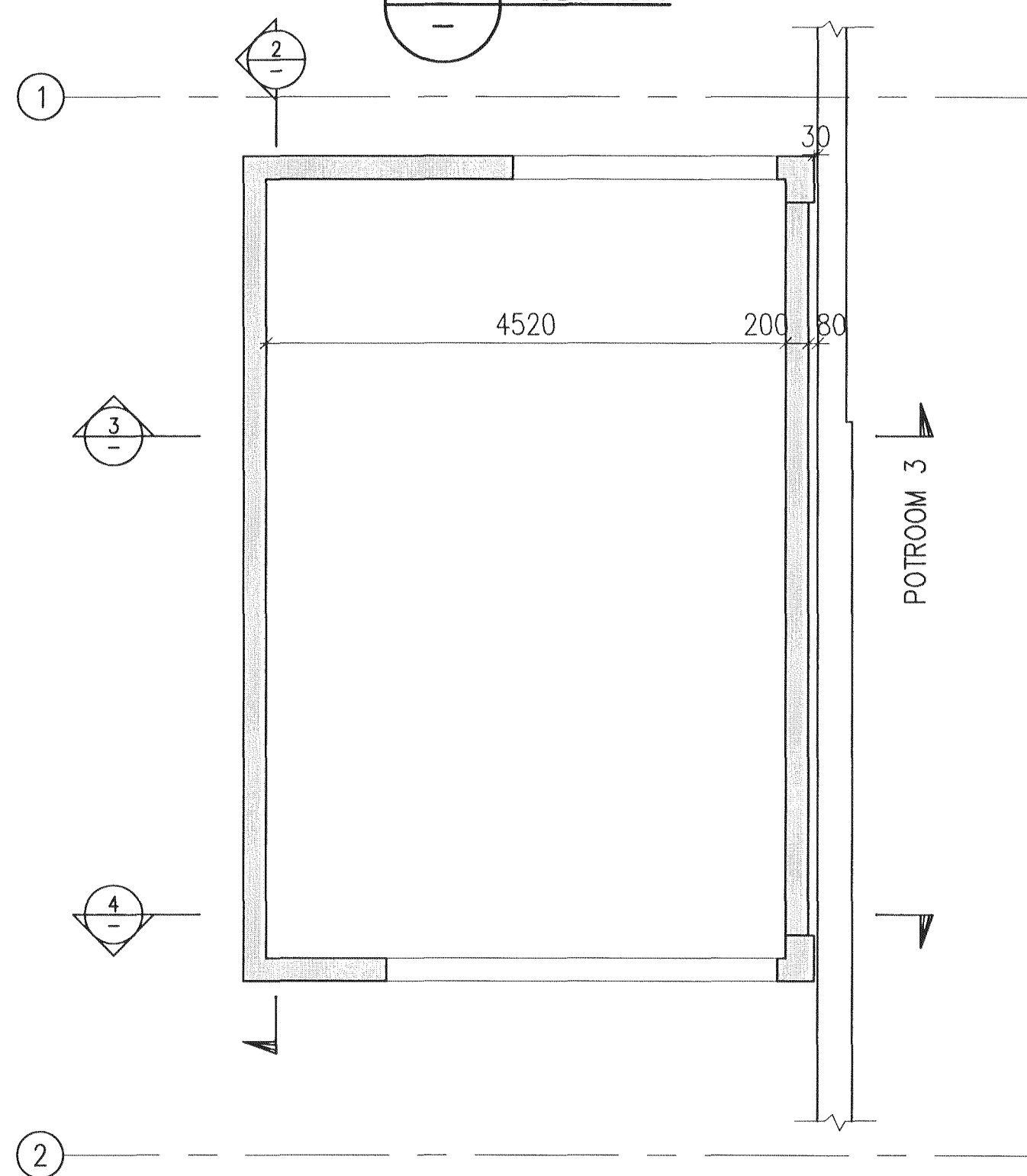
Gap closure w. elastic
selant material.
30mm insulation



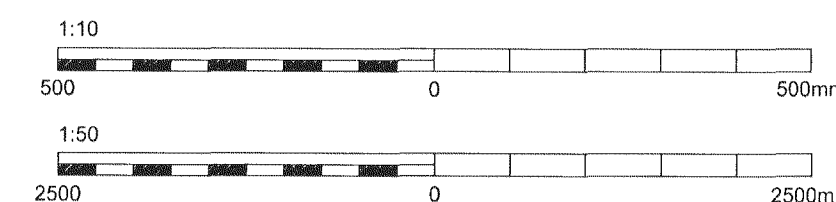
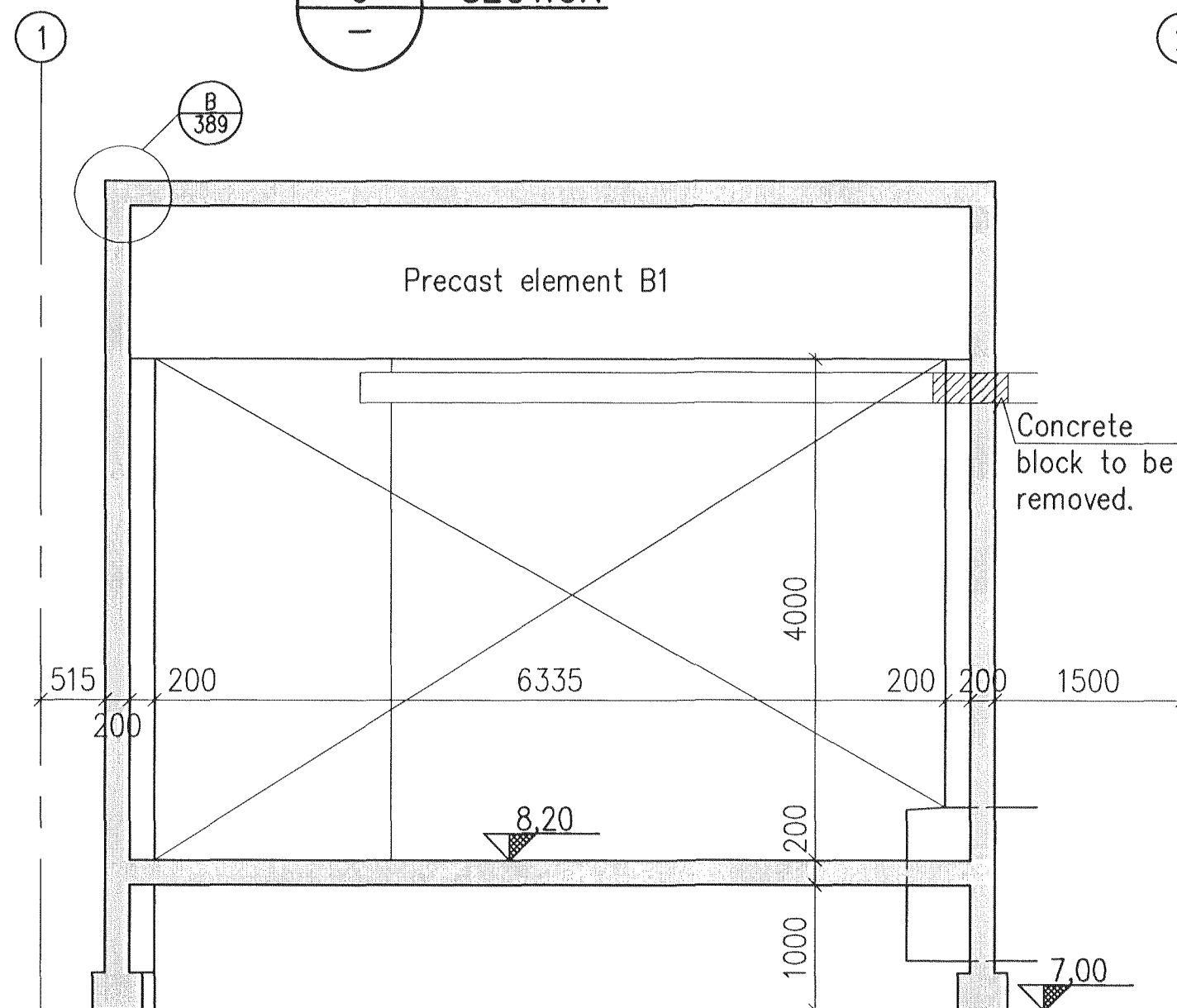
SECTION 4



SECTION 5



SECTION 6



Skýringar: Legend: Concrete: C30/37:XF3-32 Precast elements are shown on drw. IDP-410-CA-015-388					This drawing is the property of Rio Tinto Alcan Iceland Ltd. and handed out for personal use only. It may neither be copied nor made available to others without permission of Rio Tinto Alcan Iceland Ltd. The receiver is liable for any misuse. Starð: A1 Mkv.: 1:50 Formát: Scale: Dimensions without tolerances according to ISO 2768-1 medium.		Dagsetning / Date 2011.02.21 Hönnuð / Designed HS LDB Verktaki / Supplier HRV Tækn.nr.verkstaka / Supplier drw.no. IDP-410-CA-015-381 Samþykkt / Approved Yirf / Chkd NI Hluti af: / Part of:		IPU 410 - RECTIFIER BUILDINGS INTAKE BUILDING PL 3 PLAN VIEW AND SECTIONS Teg. teikningar / Draw. type: FORM WORK ISAL Alcan Iceland Ltd Staunarsvík IS-222 Hálfarþjófur Ísland		Flokkur nr.: Eilað nr.: Nasta bl. nr.: Kostn.nr.-Cano. / Búnr.-Eq.no AKS Breyt./Rev. C	
	11 Issue for construction Dátum / Date: 11.03.01 Hönnuð / Des: HS/LDB Verktaki / Suppl: NI OS Tækn.nr. / ISAL Ref:	ISAL Yfirbúð og skýð / ISAL Checked, date ISAL Samþykkt, dags / ISAL Approved, date										