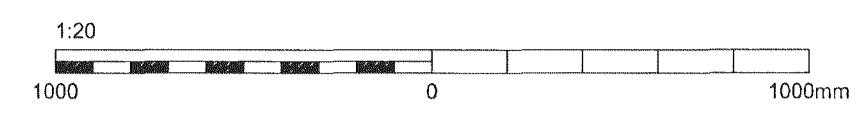
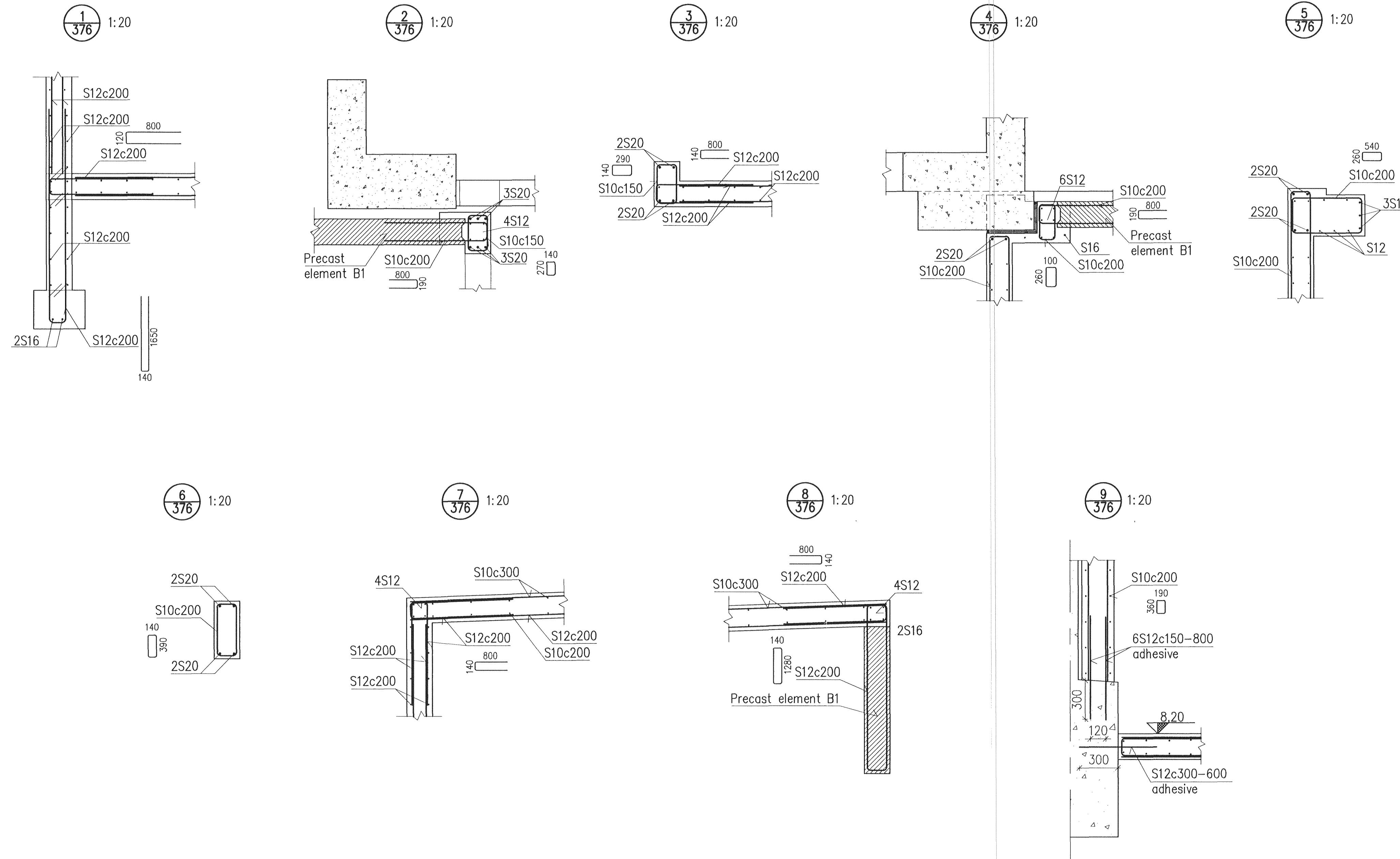


Níels Indriðsson  
 01 184444-3149

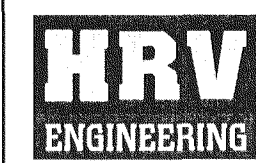


Skýringar: Concrete: C30/37:XF3-32

Legend: Precast elements are shown on  
 drw. IDP-410-CA-015-388

11	Issue for construction	11.03.01	GMG	NI	OS		
Útg nr	Lýsing	Dagsetning	Man/Ún	Yfir	Notk heim	Notk heim	
Rev no	Description	Date	Des/Drw	Ckd	Suppl	Rel	ISAL Rel

This drawing is the property of Rio Tinto Alcan Iceland Ltd. and handed out for personal use only. It may neither be copied nor made available to others without permission of Rio Tinto Alcan Iceland Ltd. The receiver is liable for any misuse.	
Stærð:	A1
Máv:	1:20
Formát:	Scale:
Dimensions without tolerances according to ISO 2768-1 medium.	



Dagsetning / Date: 2011.02.21	
Hannað / Designed: CMG	Tekin / Drawn: GMG
Verktaki / Supplier: HRV	
Tekn.nr./verktaki / Supplier drw.no: IDP-410-CA-015-377	
Samb.átt / Approved: NI	Yfirl / Ckd: NI
Hluti af: / Part of:	

IPU 410 - RECTIFIER BUILDINGS INTAKE BUILDING PL 2 SECTIONS		Flokkur nr.:	Blað nr.:	Næsta bl. nr.:
REINFORCEMENT		Kostn.nr.-Ceno. / Bl. nr.-Eq.no		
AKS				
RioTintoAlcan		ISAL		
ISAL		Tekn.nr. ISAL / Drw.no. of ISAL		
ISAL		Breyt./Rev. C		
ISAL Yfirbúð og skrá, dags / ISAL Checked, date		ISAL Samþykkt, dags / ISAL Approval, date		