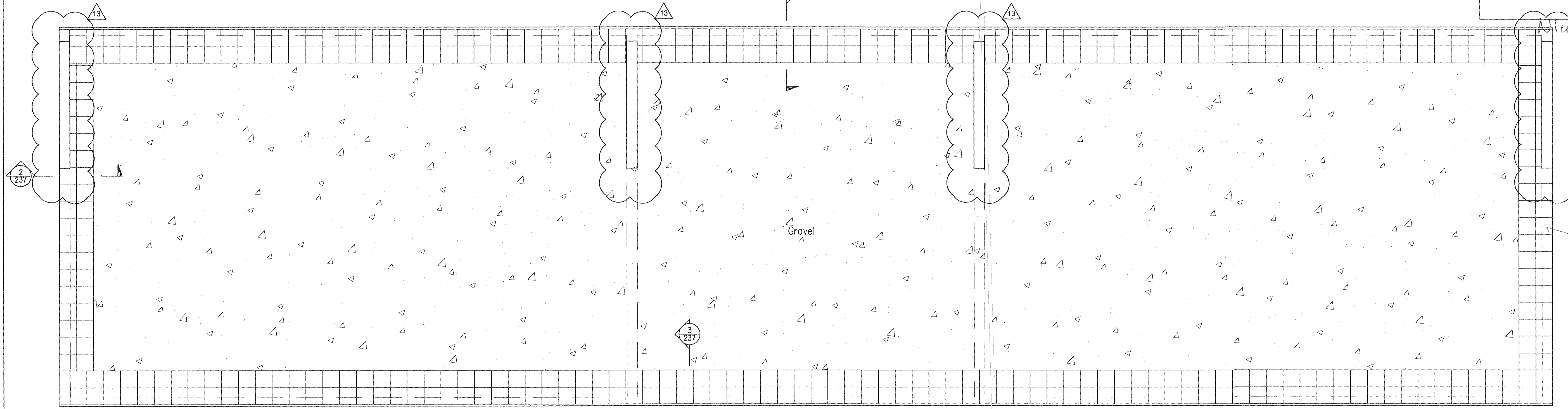


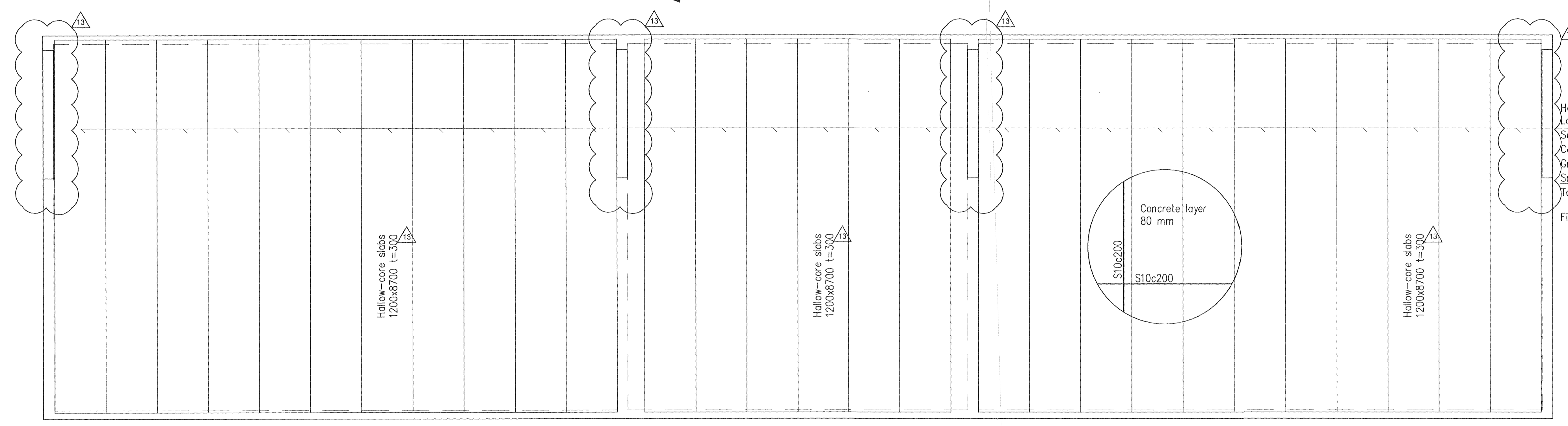
ROOF, 1:50

Samþykkt bann
05 APR 2011
Byggingatulltrúnaður í Hálfmörðinni
F.H. Hrólfur S. Gunnlaugsson

Áild Indriðsson
RÚ 181144-2949

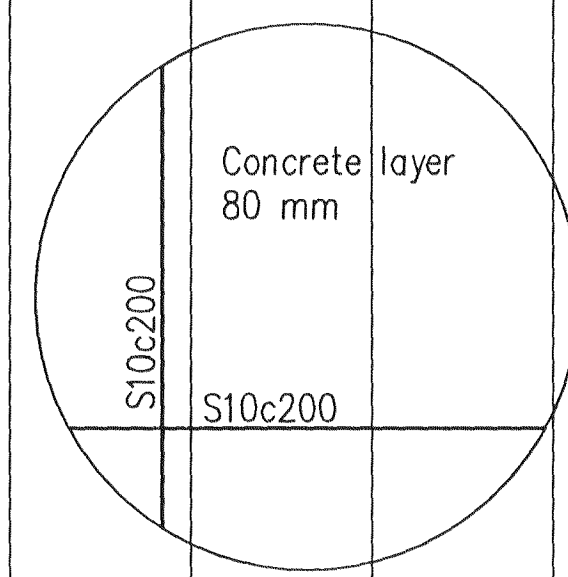


Paving stones
400x400x50



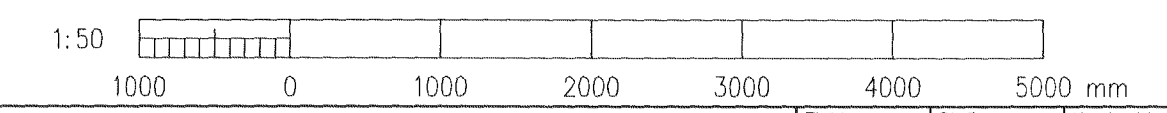
Hollow-core slabs
1200x8700 t=300

Hollow-core slabs
1200x8700 t=300



Hollow-core slabs
1200x8700 t=300

Hollow-core slab
Load:
Selfweight 3,0kN/m²
Concrete 2,0kN/m²
Gravel 2,0kN/m²
Snow 5,0kN/m²
Total 12,0kN/m²
Fire resistance REI 180 min.



Skýringar:
Legend:

Slg nr / Rev no	Lýsing / Description	Dagsetning / Date	Har/An / Des/Drw	Yfir / Ckd	Netk heim / Suppl. Rel	Netk heim / ISAL Rel
13	Text added and changed. Placement of found. wall on roof corrected.	11.03.03	HS/LDB	NI	ÓS	
12	Foundation wall on roof added and drawing name changed	11.01.18	HS/LDB	NI	ÓS	
11	Issued for construction	10.05.06	HS/LDB	NI	ÓS	

This drawing is the property of Rio Tinto Alcan Iceland Ltd and handed out for personal use only. It may neither be copied nor made available to others without permission of Rio Tinto Alcan Iceland Ltd. The receiver is liable for any misuse.						
Starf / Format:	Mkv. / Scale:	A1				
Dimensions without tolerances according to ISD 2768-1 medium.						

Dagsetning / Date 2008.10.01		Teikn / Drawn LDB	
Hannað / Designed HS		Verktaki / Supplier HRV	
Tekn.nr./verktaka / Supplier dr.w.no. IDP-410-CA-015-236		Sampþykkt / Approved NI	
Yfir / Ckd NI		Hluti af: / Part of:	

IDP410-RECTIFIER BUILDINGS			Flakkur nr.:	Blað nr.:	Næsta bl.nr.:
A5/S1 ROOF			Kostn.nr.-Coco. / Búna.nr.-Eqno 4011		
Fag teikningar / Dwg. type: BUILDING FITTOUT			AKS		
			Tekn.nr. / Drw.no. of ISAL IS-222 Hálfmörðinni Ísland		
			Breyt./Rev. C		
ISAL Yfirfarð og skrifað, dags / ISAL Checked, date			ISAL Samþykkt, dags / ISAL Approved, date		