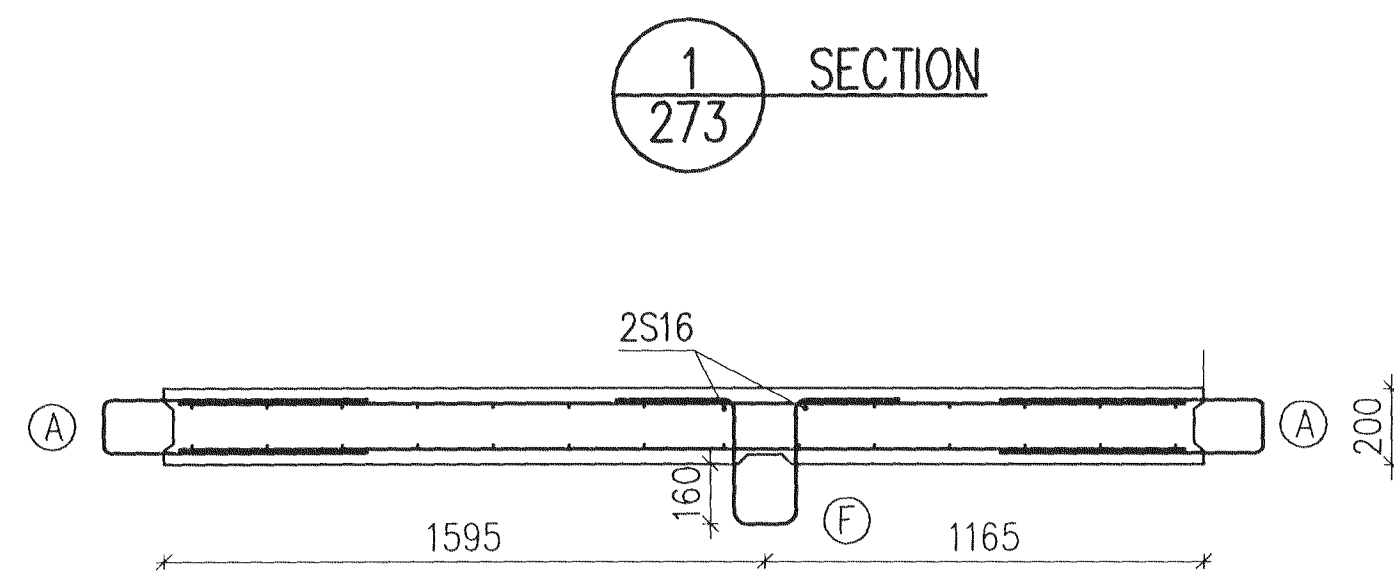
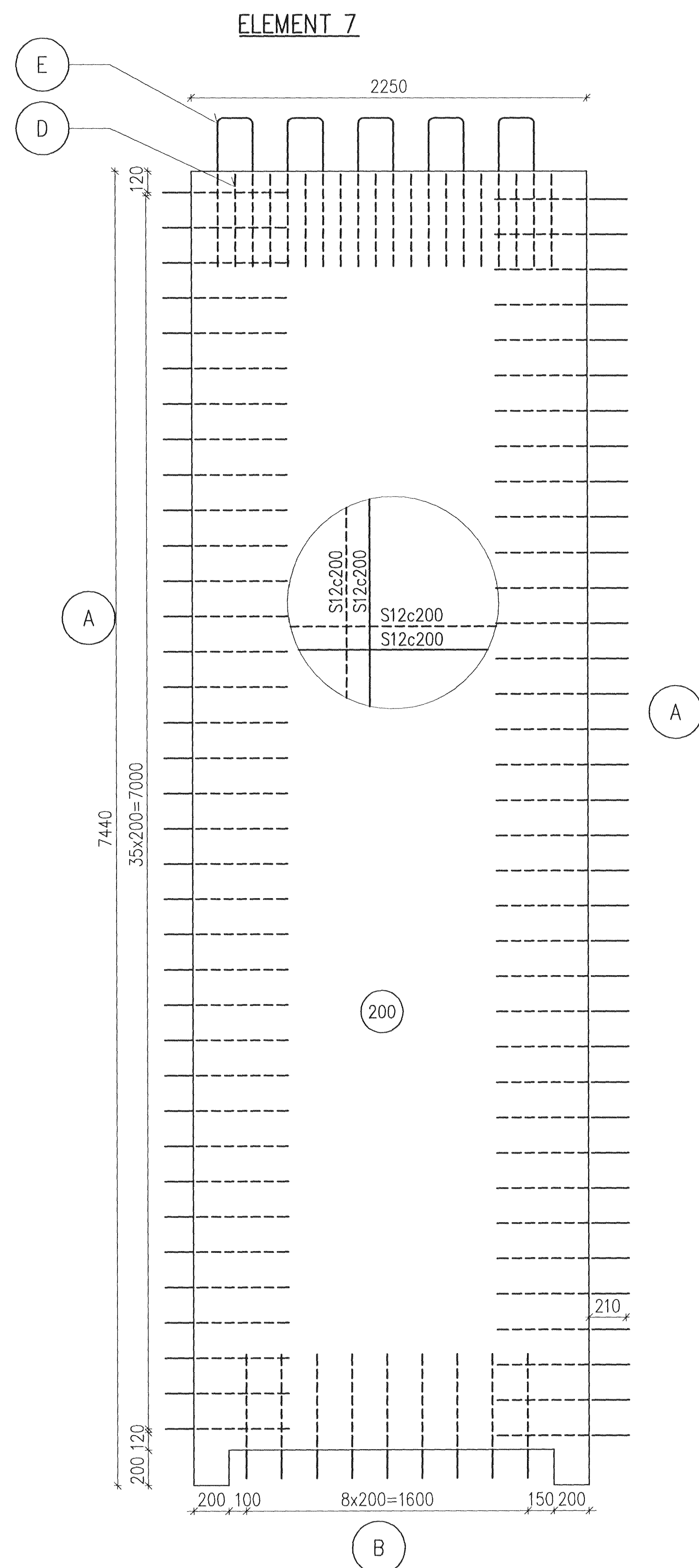


Samþykkt þann
 05 APR 2011
 Byggingafræðingur / Hvítarfréði
 F.h. Hrólfur S. Gunnlaugsson

Níels Indriðason
 NÍ 181144-25149



Skýringar:
 Legend: Stirrups details see drawing 272.

This drawing is the property of Rio Tinto Alcan Iceland Ltd. and handed out for personal use only. It may neither be copied nor made available to others without permission of Rio Tinto Alcan Iceland Ltd. The receiver is liable for any misuse.



Dagsetning / Date 2011.03.03	
Hannað / Designed HS	Tekn / Drawn AFV
Verktaki / Supplier HRV	
Tækn.nr.verktaka / Supplier drw.no. IDP-410-CA-015-275	
Samþykkt / Approved NI	Yfir / Chkd NI
Hluti af / Part of:	

IPU 410 - RECTIFIER BUILDINGS		
A5/S1		
PRECAST ELEMENT		
Teg.teikningar / Dwg. type: REINFORCEMENT		
Fékkur nr.:	Blað nr.:	Nasta bl.nr.:
Kostn.nr.-Cno. / Búnr.-Eq.no	4011	
AKS		
Tækn.nr. ISAL /Drw.no. of ISAL	Breyt./Rev	C
ISAL Reykjavík og skráð, dags / ISAL Checked, date		
ISAL Samþykkt, dags / ISAL Approved, date		

Útg. nr / Rev no	Ísling / Description	Dagsetning / Date	Hun./Hm. / Des/Drw	Yfir / Chkd	Notk heim / Suppl Ref	Notk heim / ISAL Ref
1	Issue for construction	11.03.03	HS/AFV	NI	ÓS	