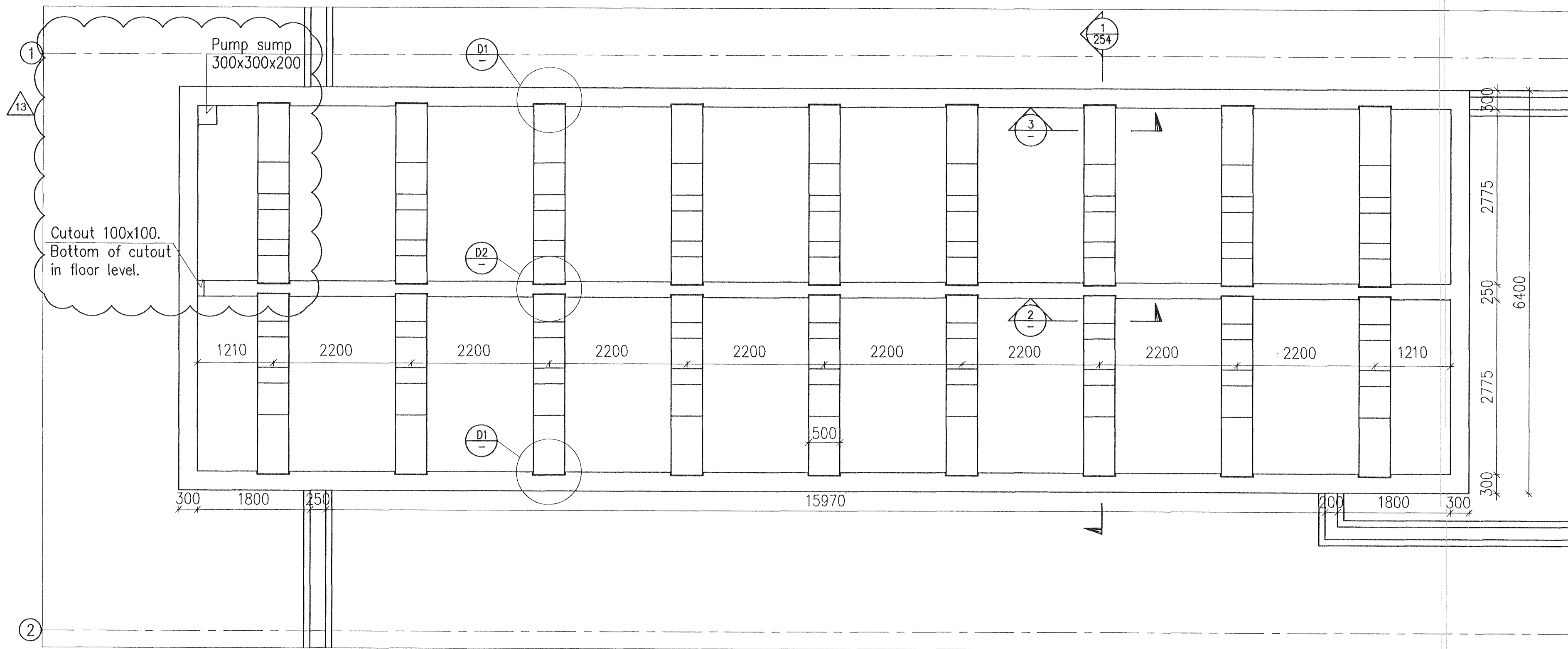
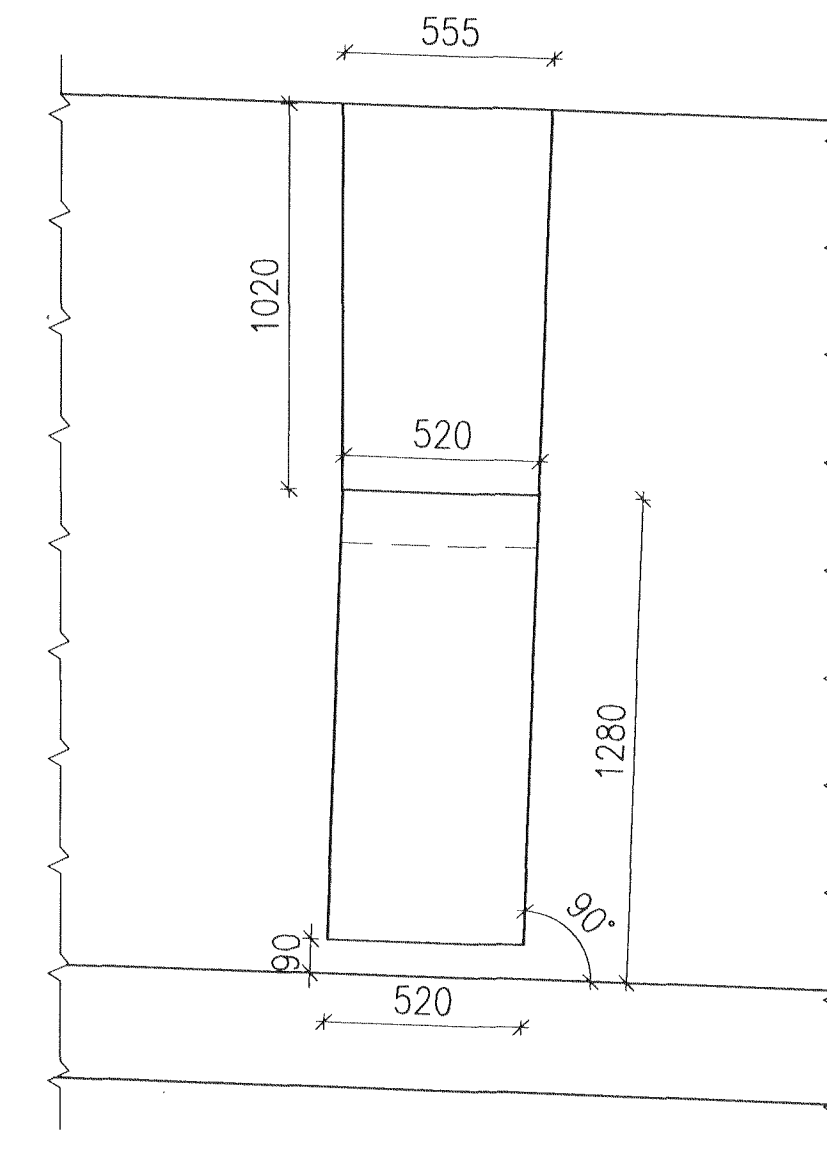


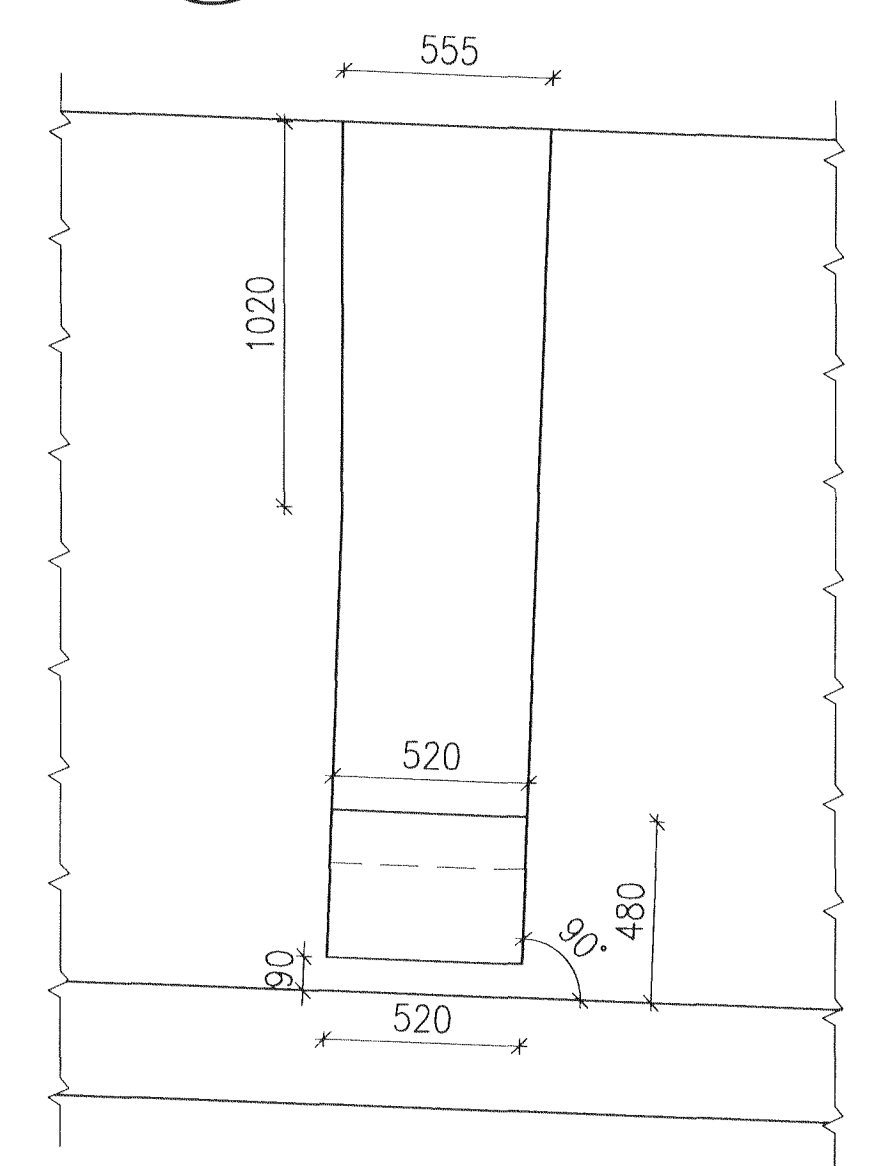
TUNNEL BETWEEN P2 AND P3, CONCRETE SUPPORTS, PLAN, 1:50



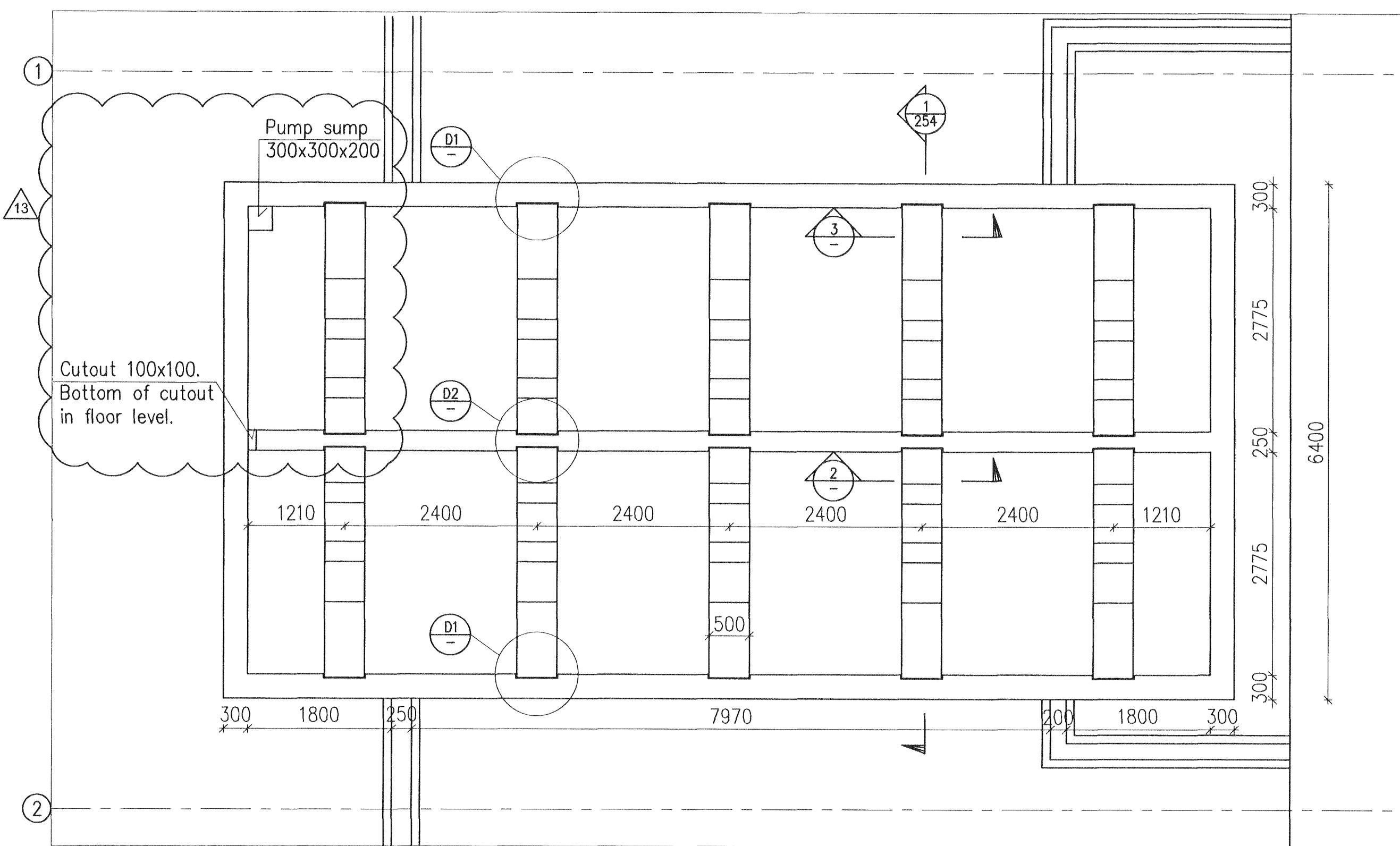
2 SECTION, 1:20



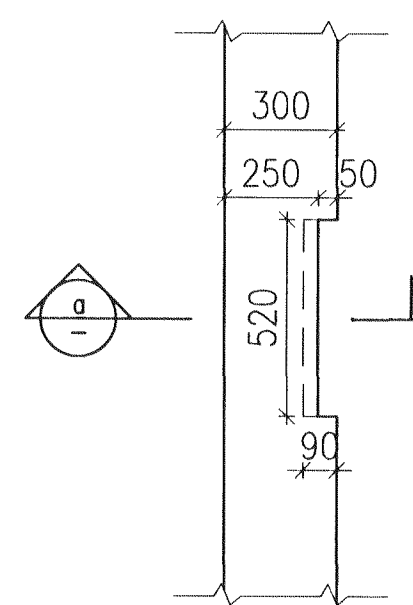
3 SECTION, 1:20



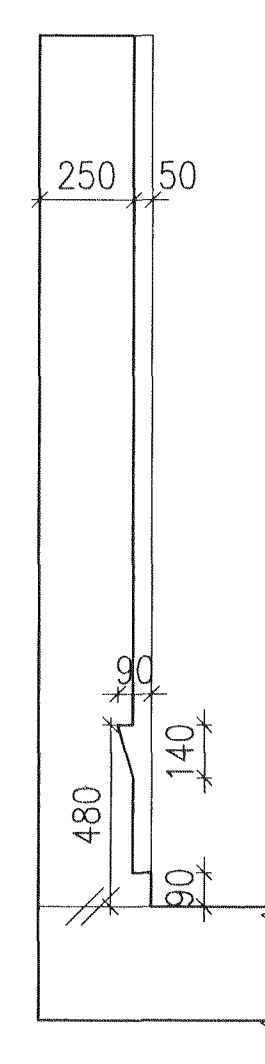
TUNNEL BETWEEN P1 AND P2, CONCRETE SUPPORTS, PLAN, 1:50



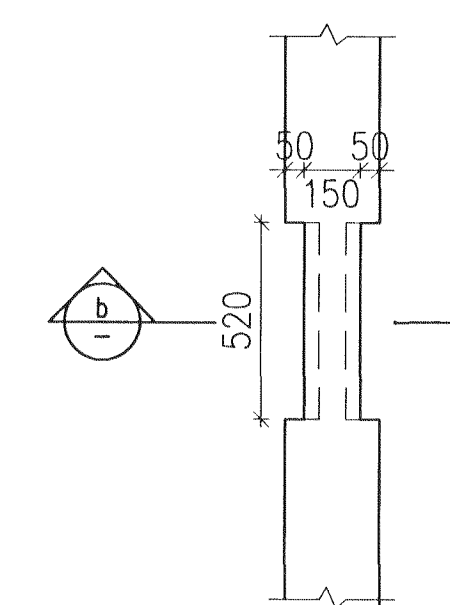
D1 DETAIL, 1:20



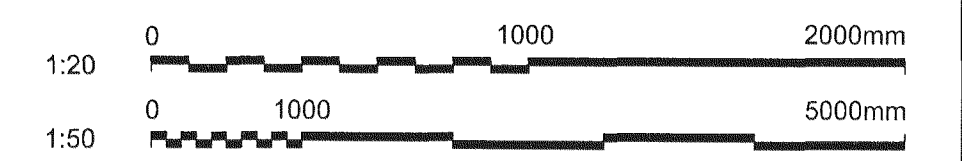
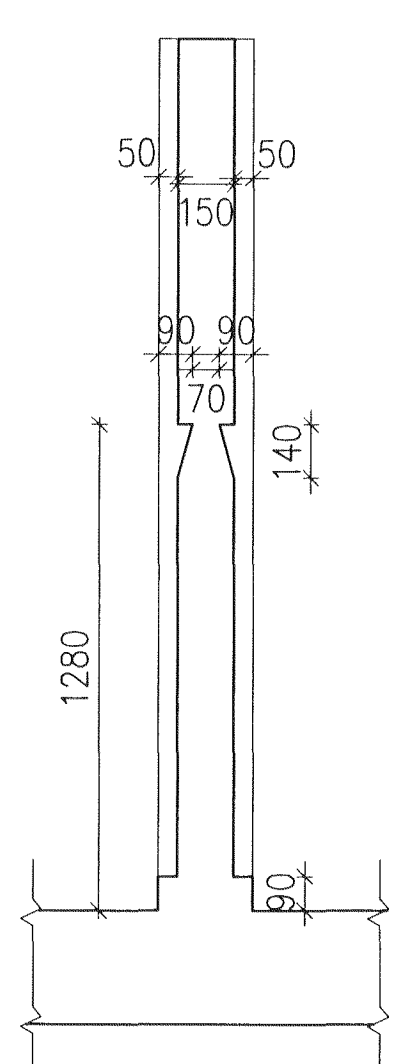
a SECTION, 1:20



D2 DETAIL, 1:20



b SECTION, 1:20



Skýringar:  
Legend:

Slp nr / Rev no	Lýsing / Description	Dagsetning / Date	Man/Who / Drawn	Yfir / Chkd	Yfirl / Ckd	Yfirl / Ckd	Nálg heim / Suppl Del	Nálg heim / ISAL Del	Stað / Form	Mv: / Scale
13	Pump sump added	11.02.11	HS/LDB	NI	OS					1:20, 1:50
12	Sections 2 and 3 added and section a and b changed	10.11.19	HS/LDB	NI	OS					
11	Issued for construction	10.11.16	GMG	NI	OS					

This drawing is the property of Rio Tinto Alcan Iceland Ltd. and handed out for personal use only. It may neither be copied nor made available to others without permission of Rio Tinto Alcan Iceland Ltd. The receiver is liable for any misuse.



Dagsetning / Date	Teknað / Drawn
2010.11.16	GMG
Hannað / Designed	Yfir / Chkd
GMG	NI
Verktaki / Supplier	
HRV	
Tekn.nr.verktaka / Supplier drw.no.	
IDP-410-CA-015-253	
Sampykkt / Approved	
NI	NI
Hluti af: / Part of:	

IDP410-RECTIFIER BUILDINGS A5/S1 AND B5/S2 CONCRETE SUPPORTS, PLAN	Flokkur nr.: / Blað nr.:	Nesta bl. nr.:
BUSBAR TUNNELS	Kostn.nr.-Ceno. / Búnr.-Eq.no	
	4011	
	AKS	
RioTinto Alcan	Tekn.nr. ISAL /Drw.no. of ISAL	Breyt./Rev.
	IS-222 Hafnarþorur Iceland	C
	ISAL Yfirbær og skráð, dags / ISAL Checked, date	ISAL Sampykkt, dags / ISAL Approval, date