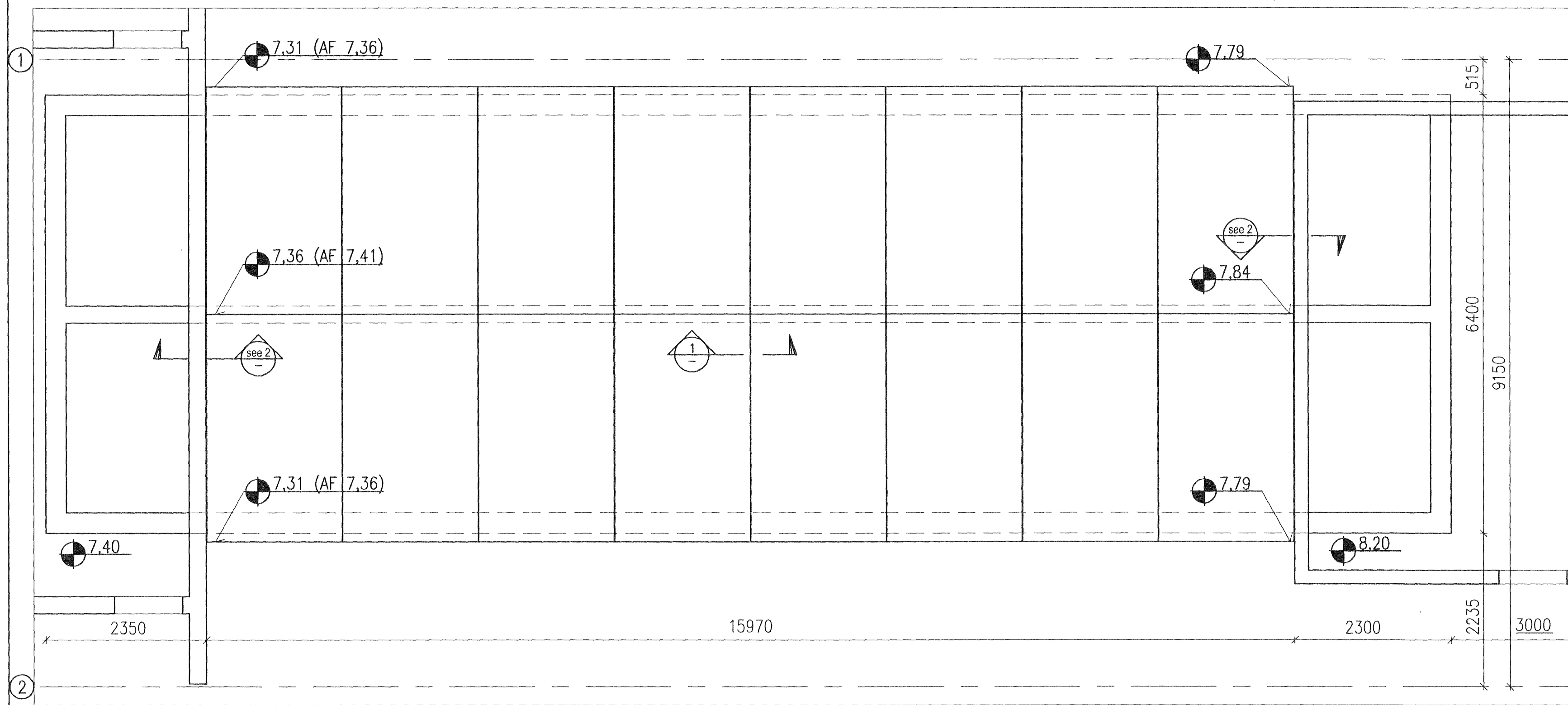
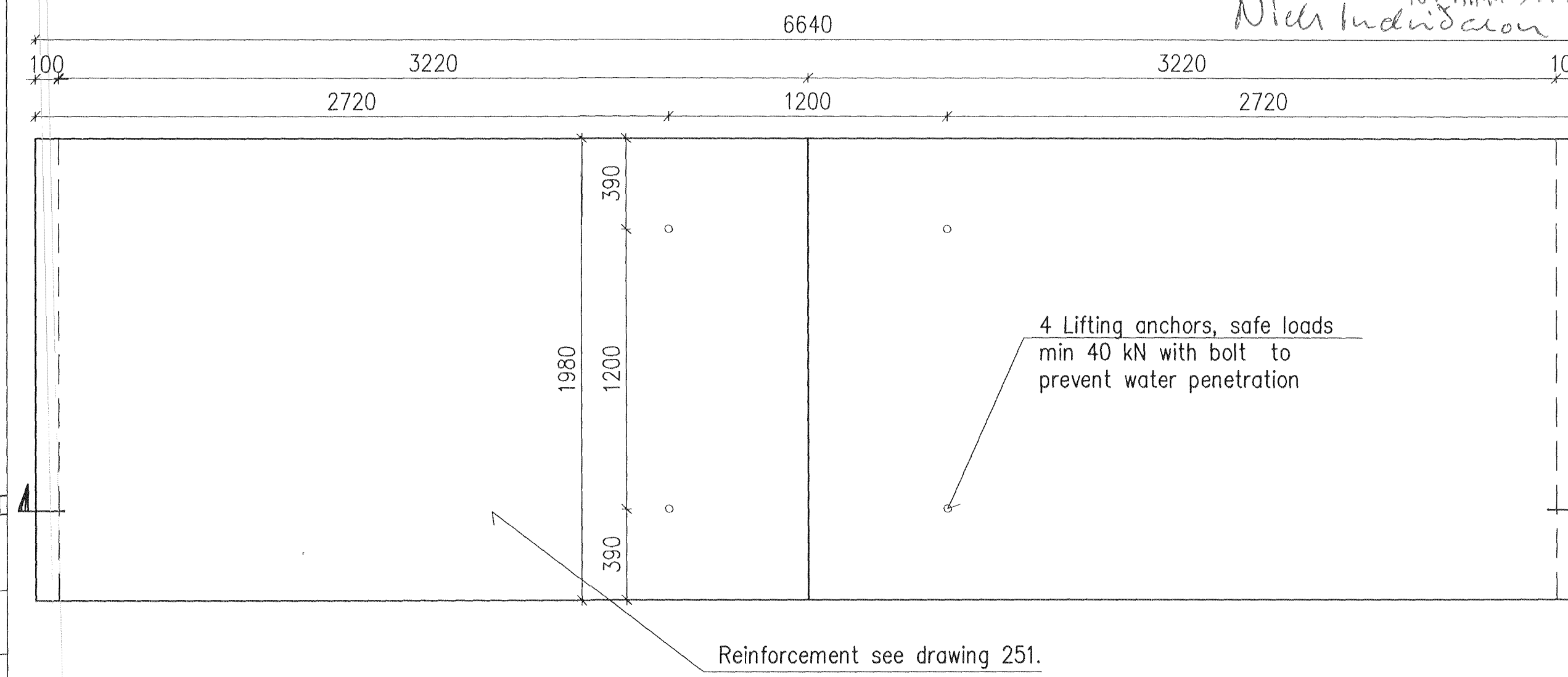


TUNNEL BETWEEN P2 AND P3, ROOF PLAN, 1:50



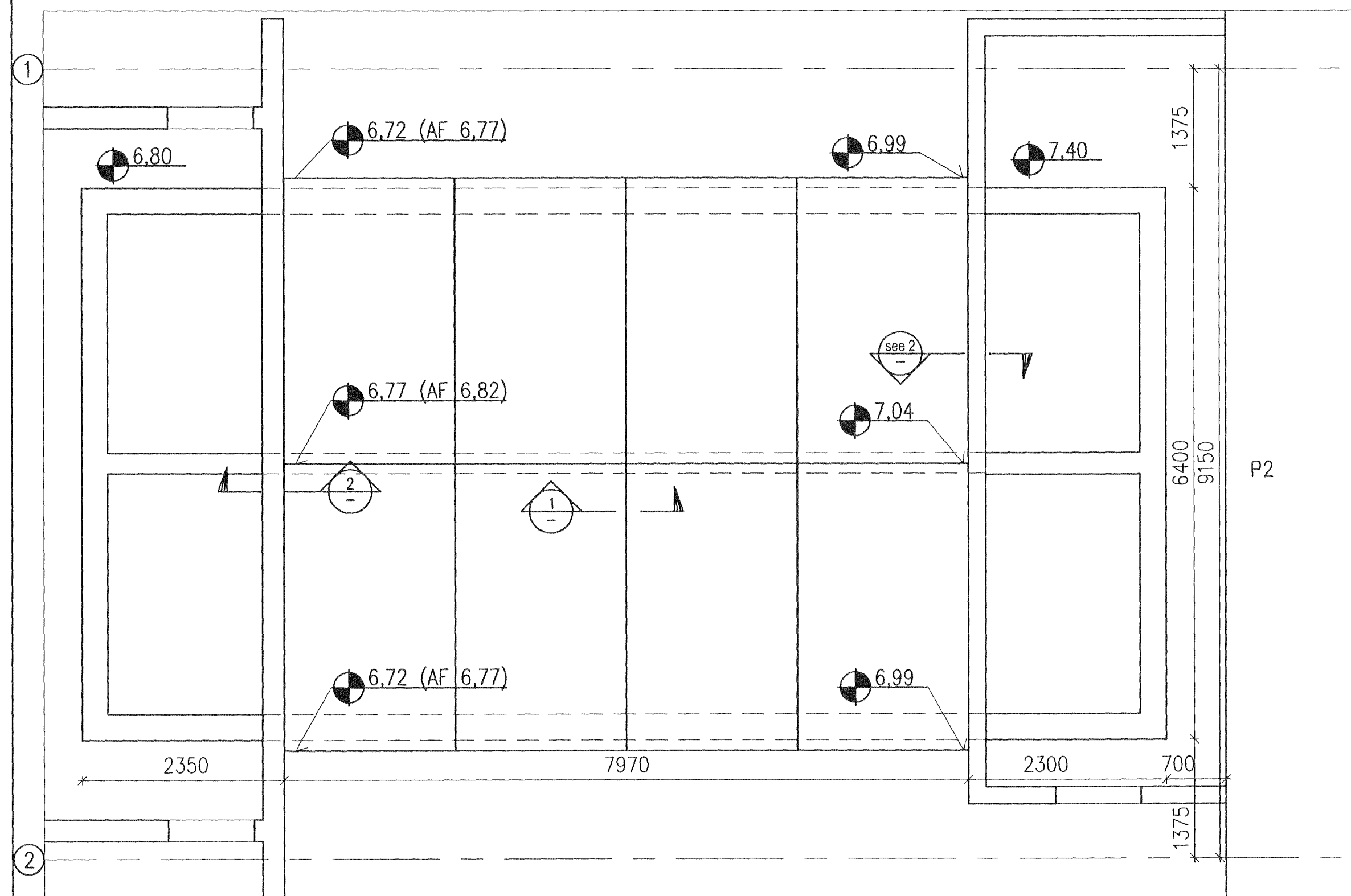
A ROOF ELEMENT, 12 pcs., 1:20



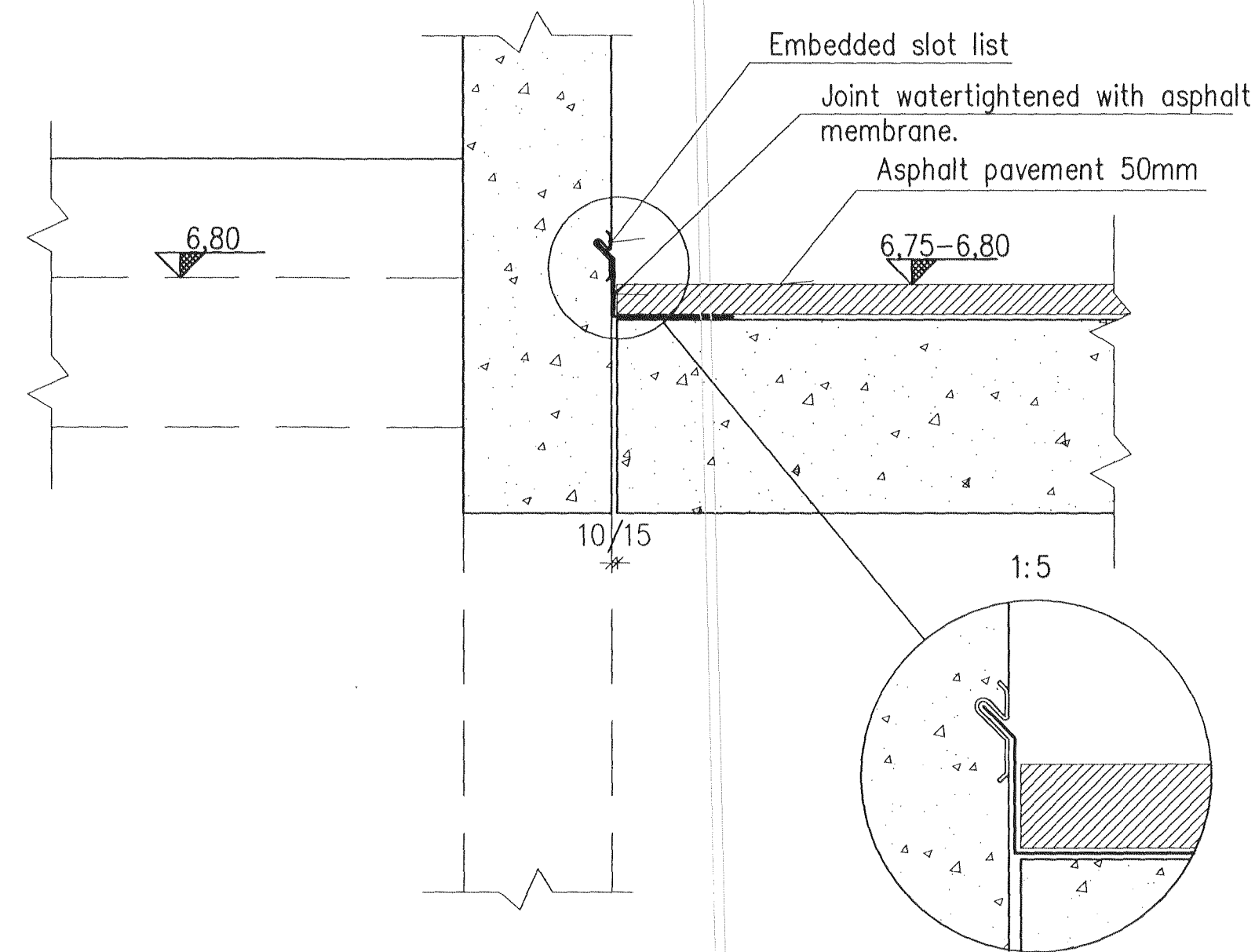
Samþykkt þann  
05 APR 2011  
Byggingatúlltrúinn / Hafnarfróði  
F.h. Hrólfur S. Gunnlaugsson

Niel Indriðsson

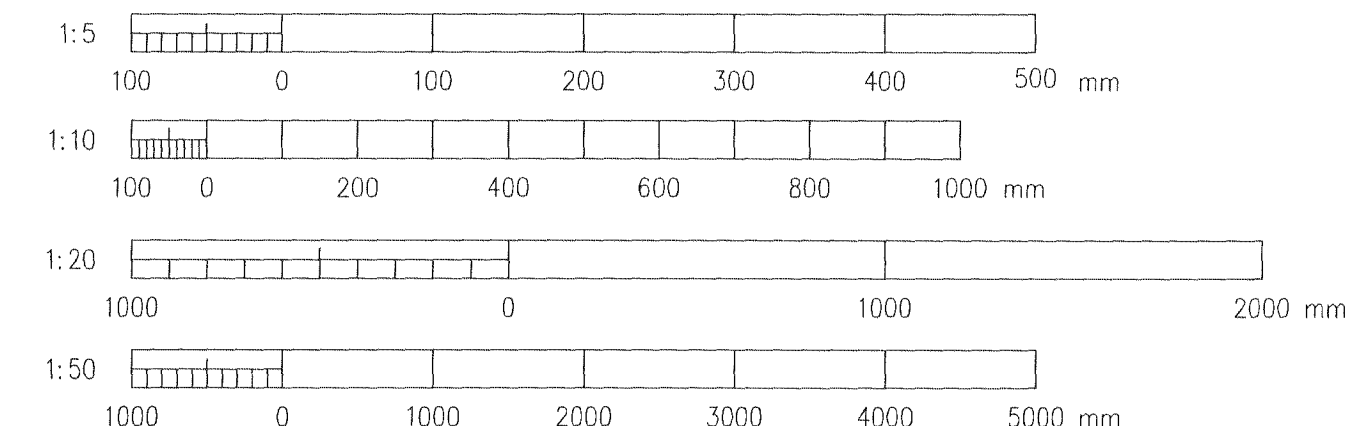
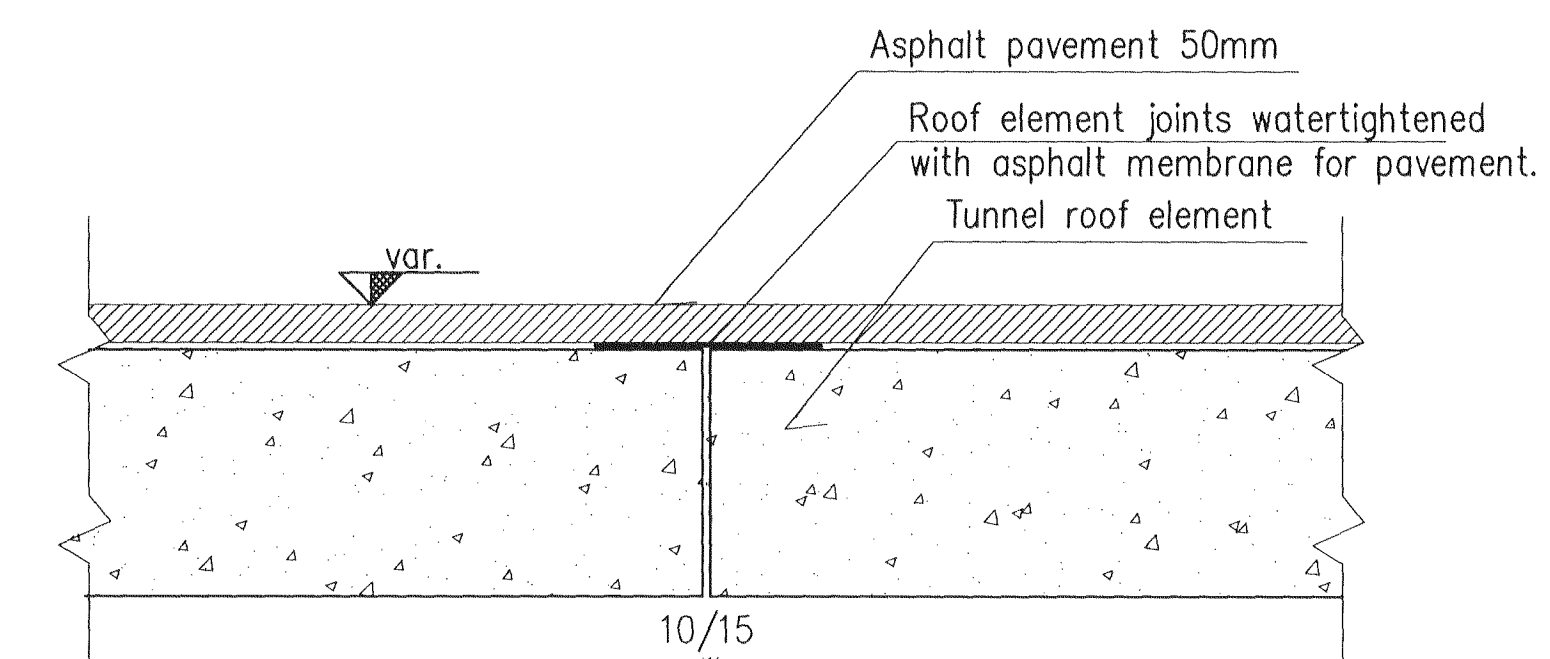
TUNNEL BETWEEN P1 AND P2, ROOF PLAN, 1:50



2 SECTION, 1:10



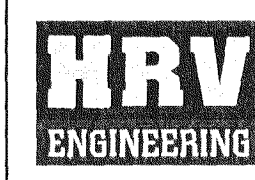
1 SECTION, 1:10



Skýringar:  
Legend:  
Concrete: C30/37:XF3-32  
AF = Asphalt pavement Finish  
Max axel load on roof element 240 kN c/c 1:2 m.

Útg. nr / Rev. no	Lýsing / Description	Dagsetning / Date	Han./Tn / Des./Dw	Yfir / Cld	Notk. heim / Suppl. Rel	Stað / ISAL Ref	Mik. / Format: A1	Skala: 50/20/10/5
13	Text added	11.02.11	HS/LDB	NI	OS			
12	Busbar tunnel changed	10.11.19	HS/LDB	NI	OS			
11	Issued for construction	10.09.30	GMG	NI	OS			

This drawing is the property of Rio Tinto Alcan Iceland Ltd. and handed out for personal use only. It may neither be copied nor made available to others without permission of Rio Tinto Alcan Iceland Ltd. The receiver is liable for any misuse.



Dagsetning / Date	2010.09.29	Teknað / Drawn	GMG
Hannað / Designed	GMG	Yfir / Chkd	NI
Verktaki / Supplier	HRV	Tekn.nr./verktaka / Supplier drw.no	IDP-410-CA-015-252
Samþykkt / Approved	NI	Samþykkt / Approved	NI

IDP410-RECTIFIER BUILDINGS  
A5/S1 AND B5/S2  
ROOF PLAN, DETAILS

Flokkur nr.: Blað nr.: Nesti bl.nr.:  
Kostn.nr.-Ceno. / Búnr.-Eqno  
4011 AKS

**Rio Tinto Alcan**  
Alcan Iceland Ltd  
Stæðing  
IS-222 Hálfarfarur  
Ísland

ISAL Tekn.nr. / Drw.no. of ISAL Breyt./Rev  
C

ISAL Yfirlið og skrifað, dags / ISAL Checked, date  
ISAL Samþykkt, dags / ISAL Approved, date