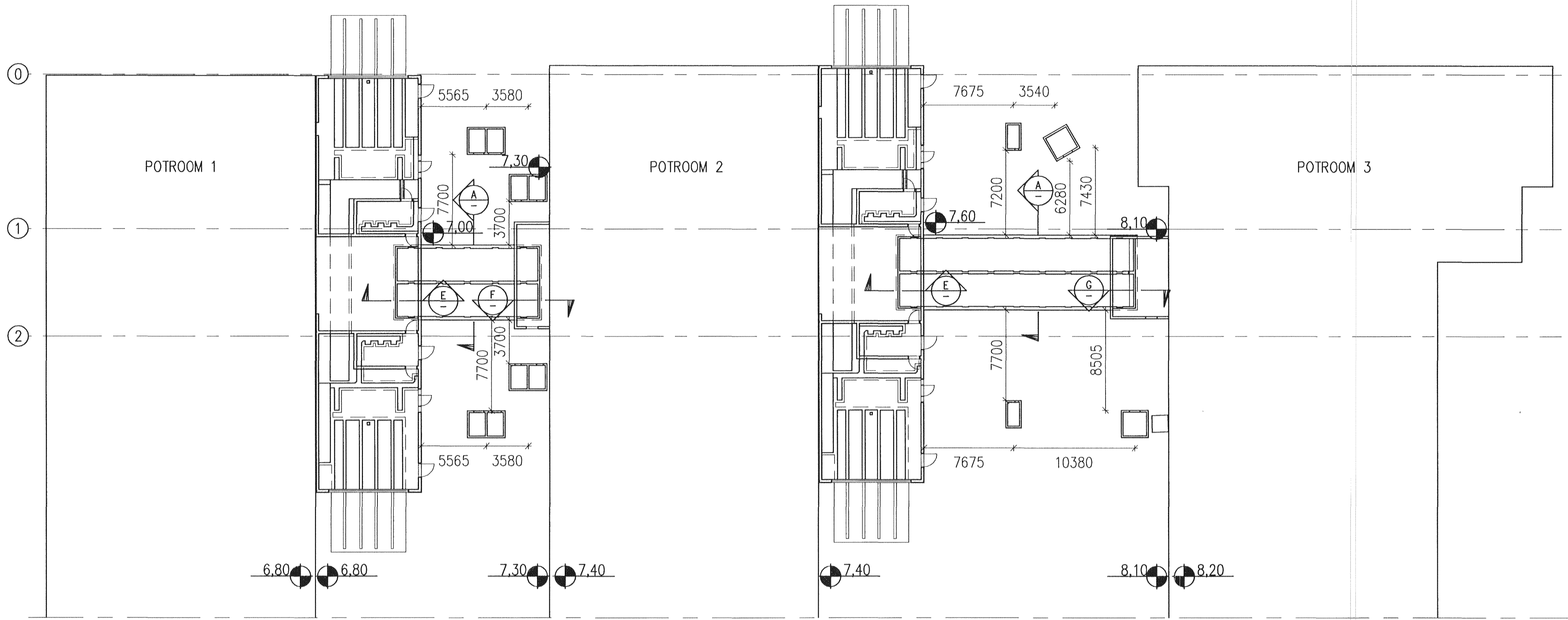
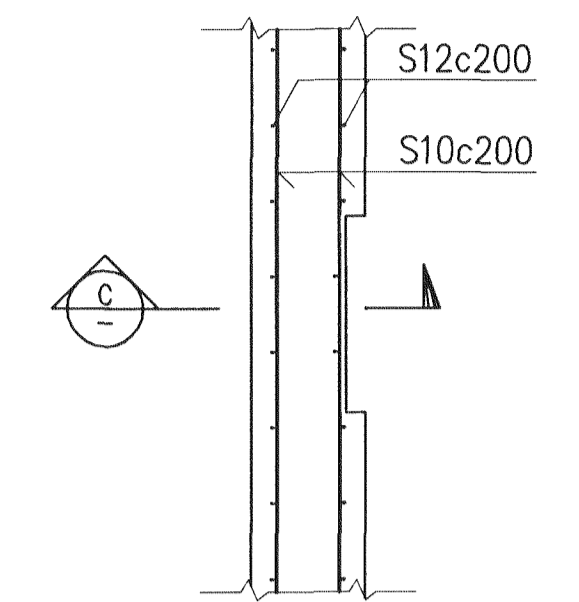


POTROOMS PLAN VIEW, 1:250

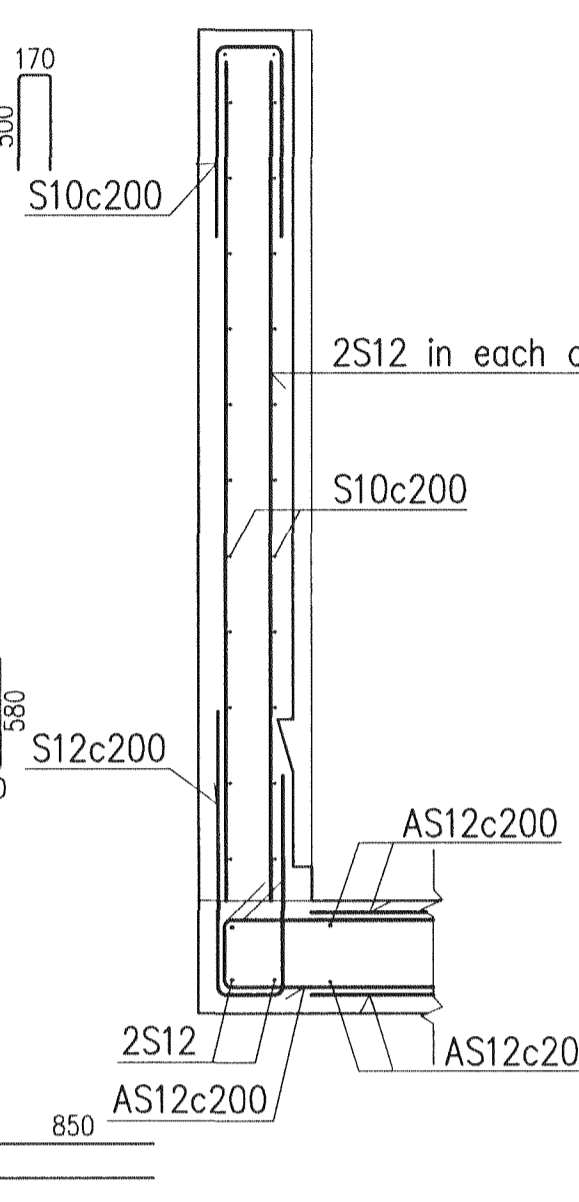
Format A1 (841x594 mm) is 20 mm outside of this frame



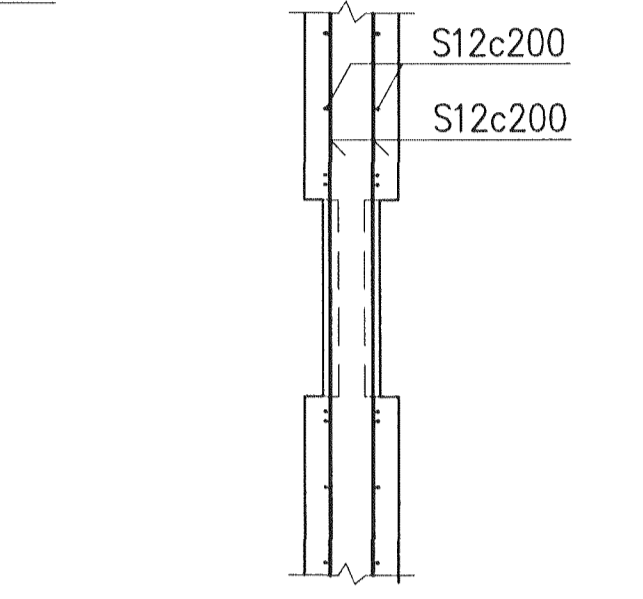
B SECTION, 1:20
Through cut outs in outer walls



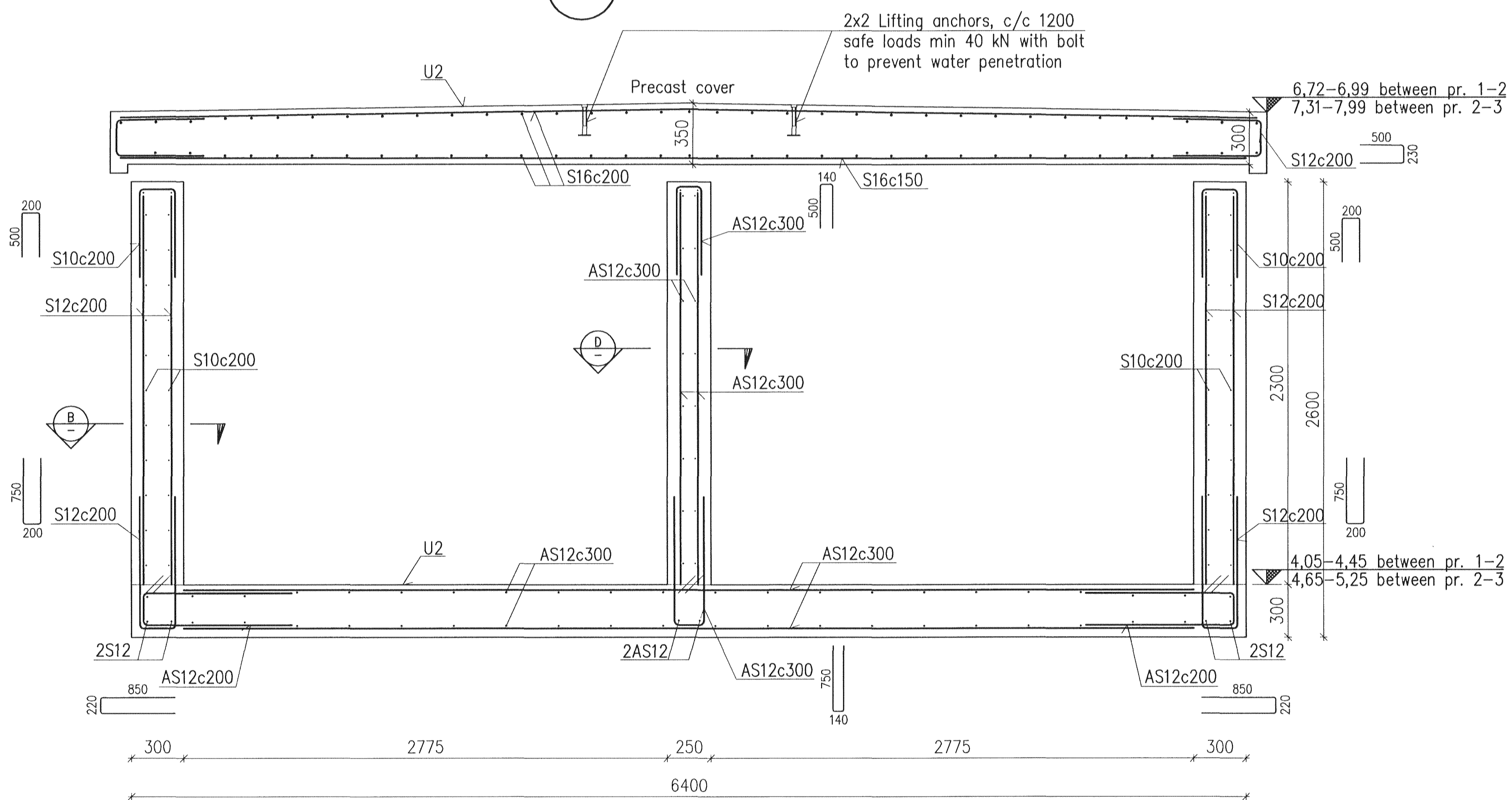
C SECTION, 1:20



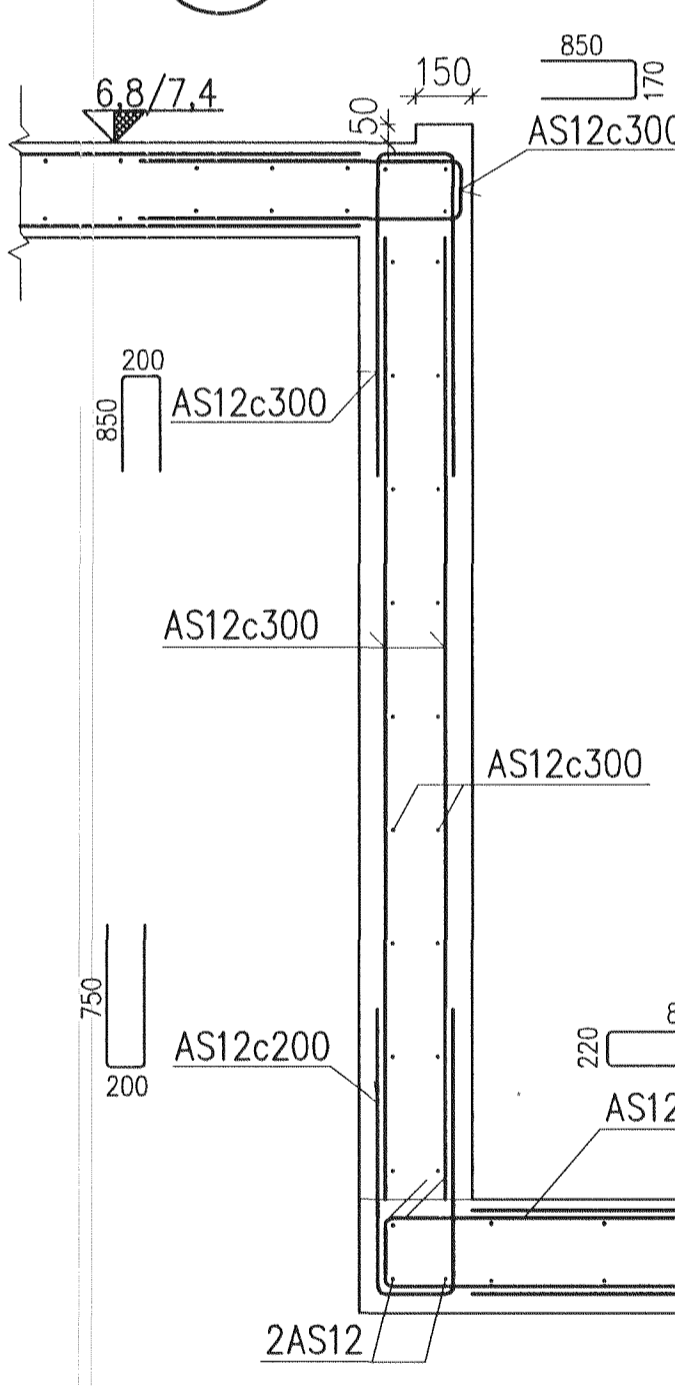
D SECTION, 1:20
Through cuts out in middle walls



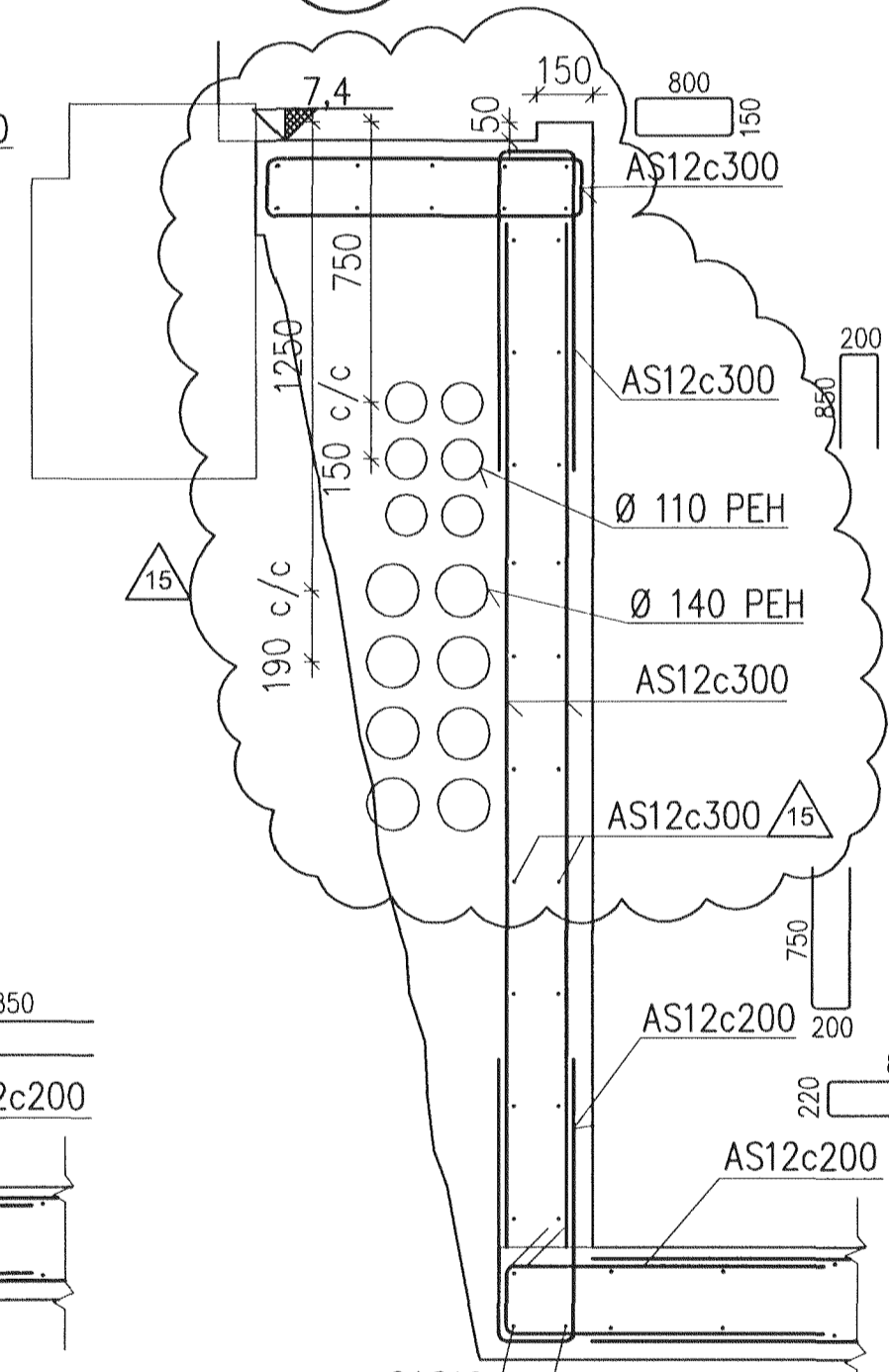
A BUSBAR TUNNEL, 1:20



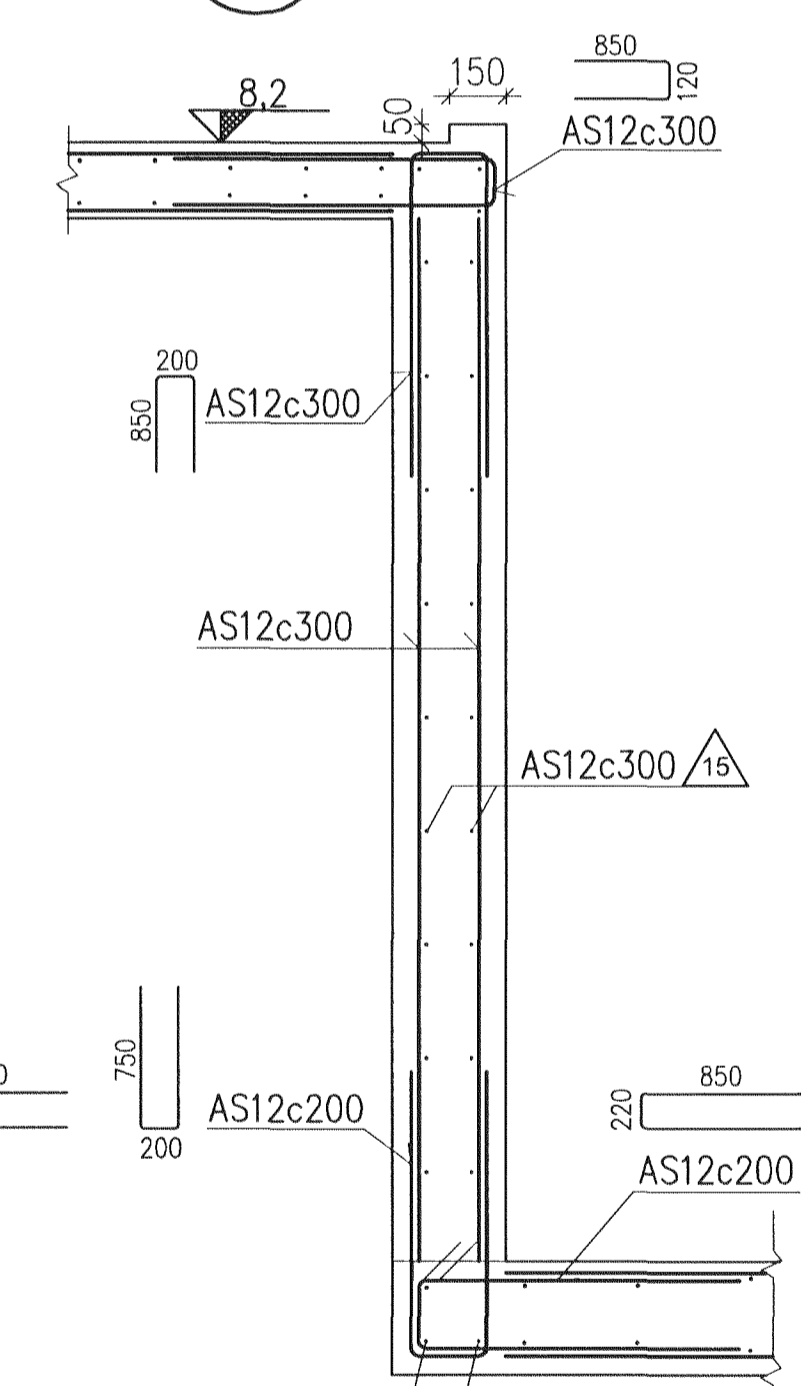
E SECTION, 1:20



F SECTION, 1:20

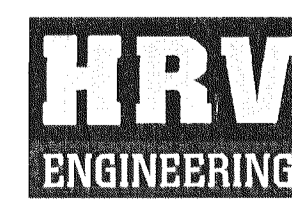


G SECTION, 1:20



GENERAL NOTES:

Skýringar: Also see drw. IDP-410-CA-015-030
 Explanations: Concrete: C30/37; XF3-32
 Reinforcement: Marked AS on drawing is ripped austenitic stainless steel, fy = 500 MPa.
 All stainless bars and hoops shall be insulated from each other with a PVC tube. Minimum thickness: 5mm.
 All stainless bars and hoops shall be tied together with non-conducting strips. Minimum thickness: 5mm.



Breyt. Rev.	Breyting Revision	Dags. Date	Samp. Approved	Nokk. heimil. Released
15	Dimensions on embedded pipes added and other minor revisions	10.12.20	ÓS	
14	Section E, F, G added	10.11.19	ÓS	
13	Busbar tunnel changed, sections added	10.11.16	ÓS	
12	Busbar tunnel changed and draw pits added	10.09.30	ÓS	
11	Issued for construction	10.05.06	ÓS	

Fjöldi stúkkja Number of pieces	Hlutur Object	Atriði Item	Efni Material	eo-stk Weight (kg)	Totals Total	Althugasemdir Remarks
IV III II I	IDP410-RECTIFIER BUILDINGS				A1	Mk. Scale: 1:20/250
	AS/S1 AND B5/S2 REINFORCEMENT BUSBAR TUNNELS				4011	Kostnaður-búnaður / Cost-Eqno.
						AKS no.
						Teknafr. vertika / Drawn of suppl. Rev.
						IDP-410-CA-015-251 C
						Sambýkt / Checked
						SA
						Stærðir / Drawn of ISAL / Teknafr. ISAL
						Stærðir / Drawn of ISAL
						Stærðir / Drawn of ISAL