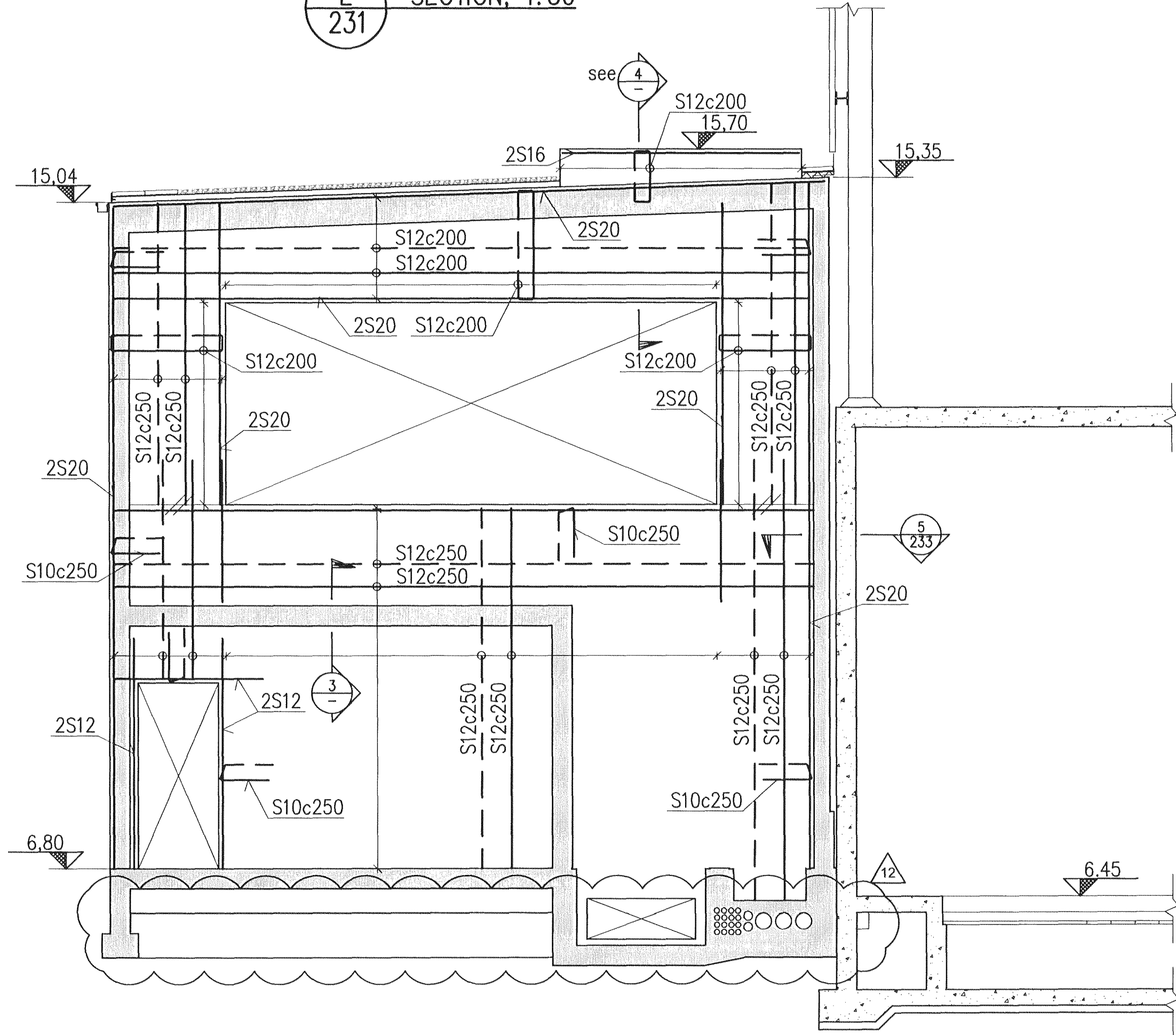
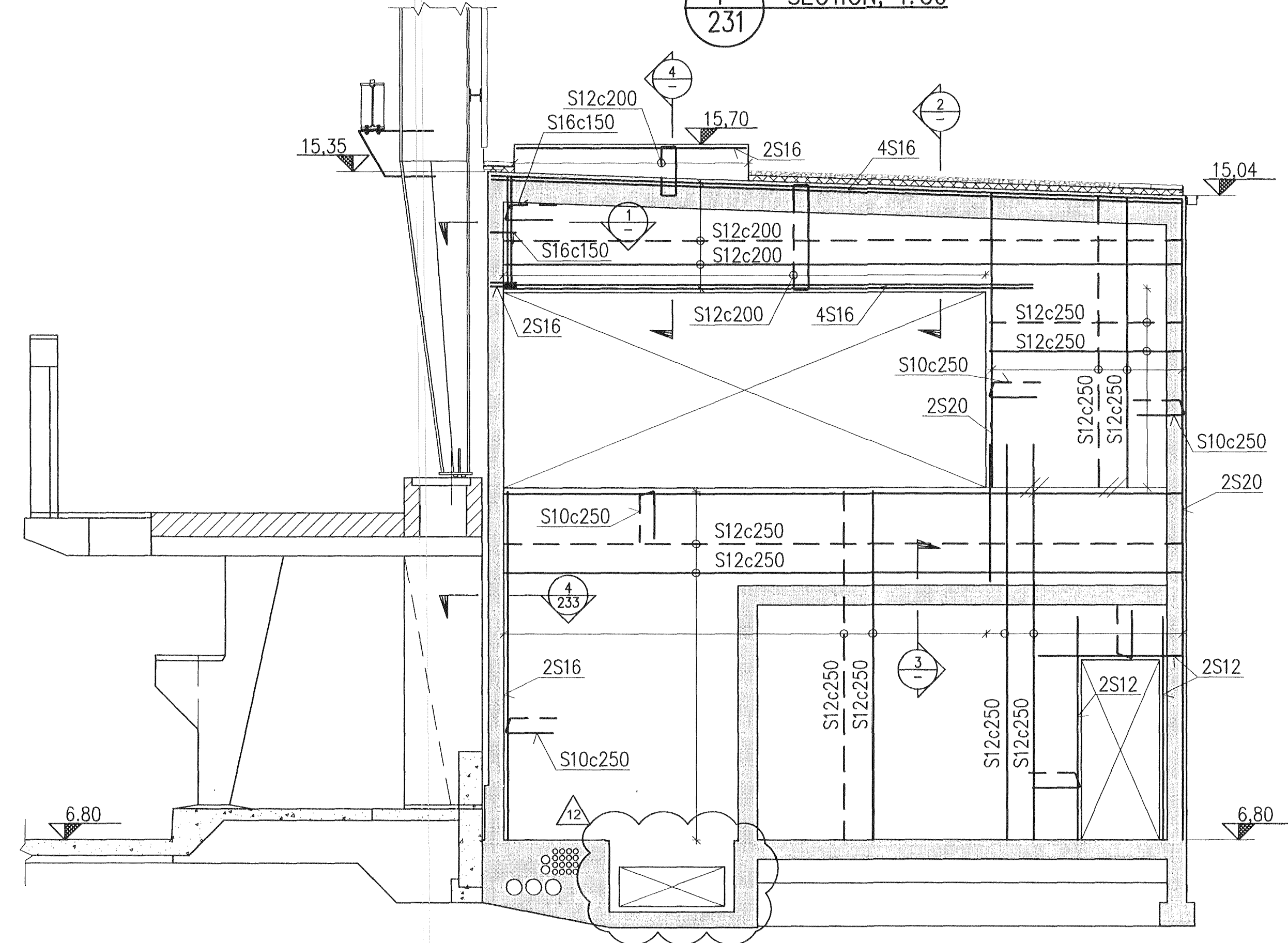


Níels Indriðsson
Ní 181144-3145

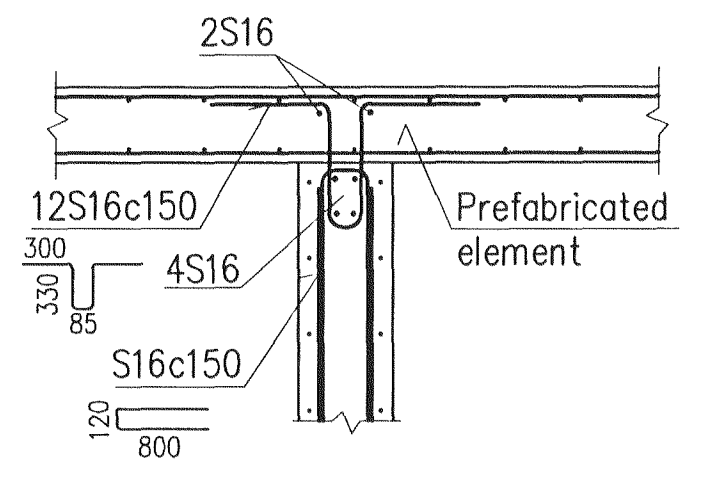
E SECTION, 1:50
231



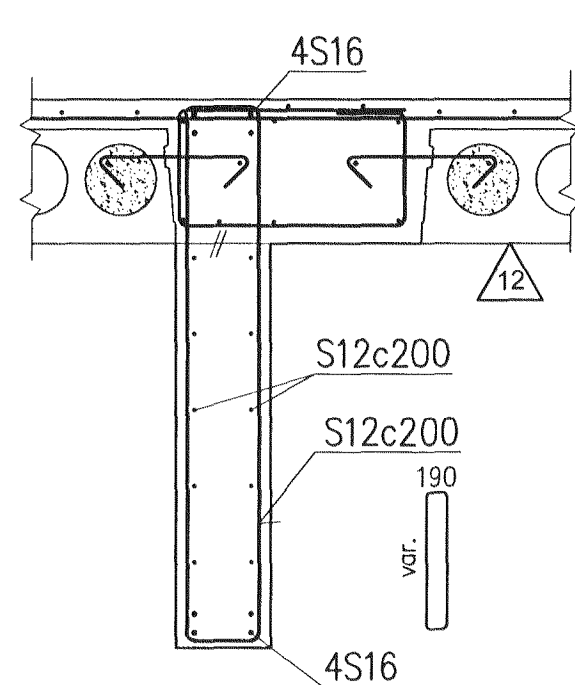
F SECTION, 1:50
231



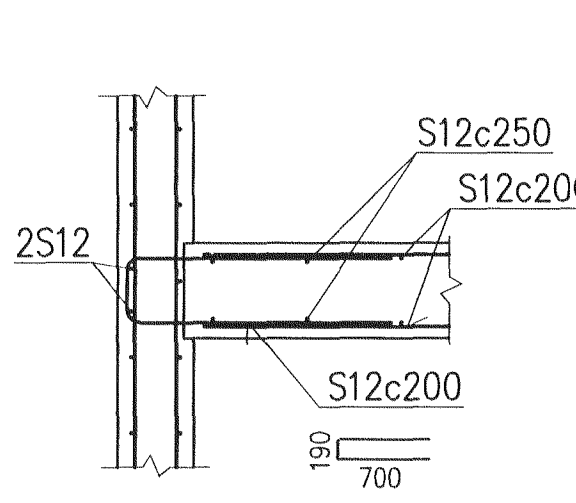
1 1:20



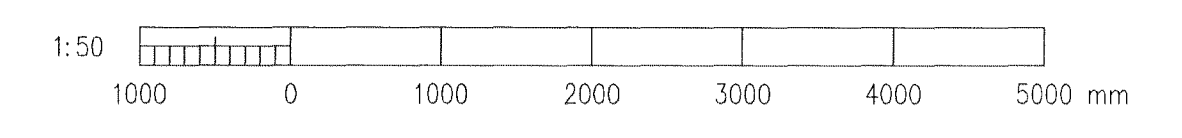
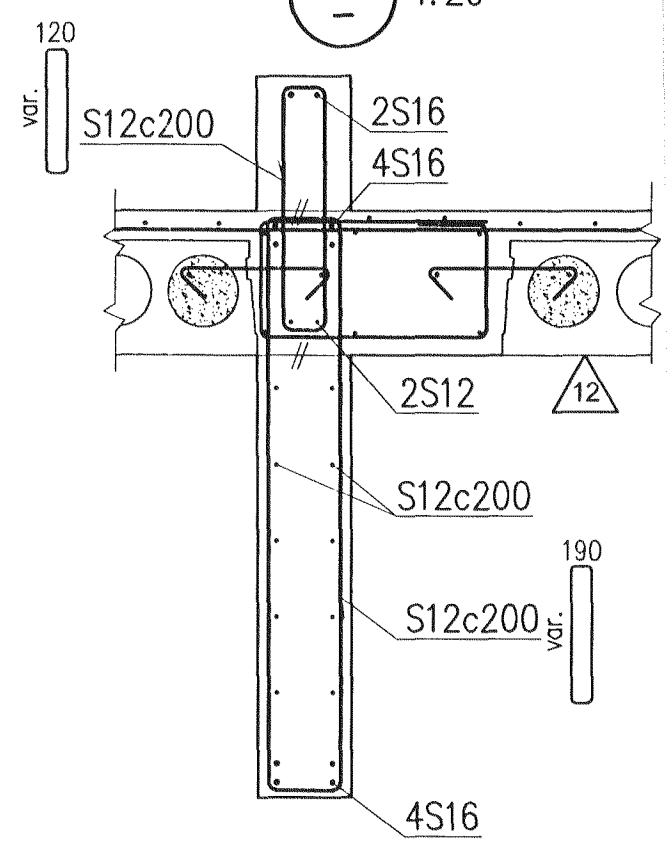
2 1:20



3 1:20



4 1:20



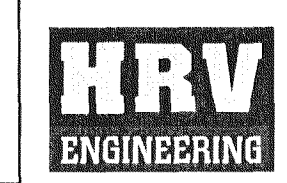
CONCRETE: C30/37;XF3-32

Skýringar:
Legend:

Ólg nr / Rev no	Lýsing / Description	Dagsetning / Date	Hon./Tkn Des./Dwn	Yrfr / Chkd	Notk heim / Suppl Rel	Notk heim / ISAL Rel
12	Cutout added, Hollow-core slabs changed to HP300	11.03.03	GMG/LDB	NI	ÓS	
11	Issued for construction	11.01.18	GMG/GMG	NI	ÓS	

This drawing is the property of Rio Tinto Alcan Iceland Ltd. and handed out for personal use only. It may neither be copied nor made available to others without permission of Rio Tinto Alcan Iceland Ltd. The receiver is liable for any misuse.

Start: A1 Mkk: Scale: 1:20, 1:50
Format: Dimensions without tolerances according to ISO 2768-1 medium.



Dagsetning / Date 2011.01.18	
Hannað / Designed GMG	Teikn / Drawn GMG
Verktaki / Supplier HRV	
Teikn.nr.verktaka / Supplier drw.no. IPU-410-CA-015-239	Yrfr / Chkd NI
Samþykkt / Approved NI	Hluti af / Part of:

IPU 410-RECTIFIER BUILDINGS
A5/S1
SIDE VIEWS AND DETAILS
REINFORCEMENT

RioTinto Alcan

Flokkur nr.: 4011	Bláð nr.: 4011	Nasta bláð nr.: 4011
Kostn.nr.-Cctno. / Búnr.-Eq.no		AKS
Teikn.nr. ISAL / Drw.no. of ISAL		Breyt./Rev. C