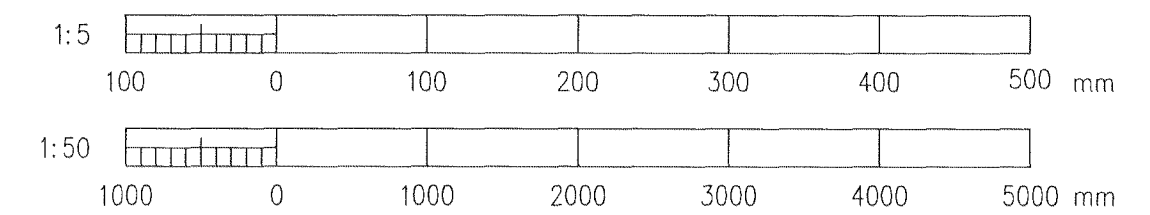
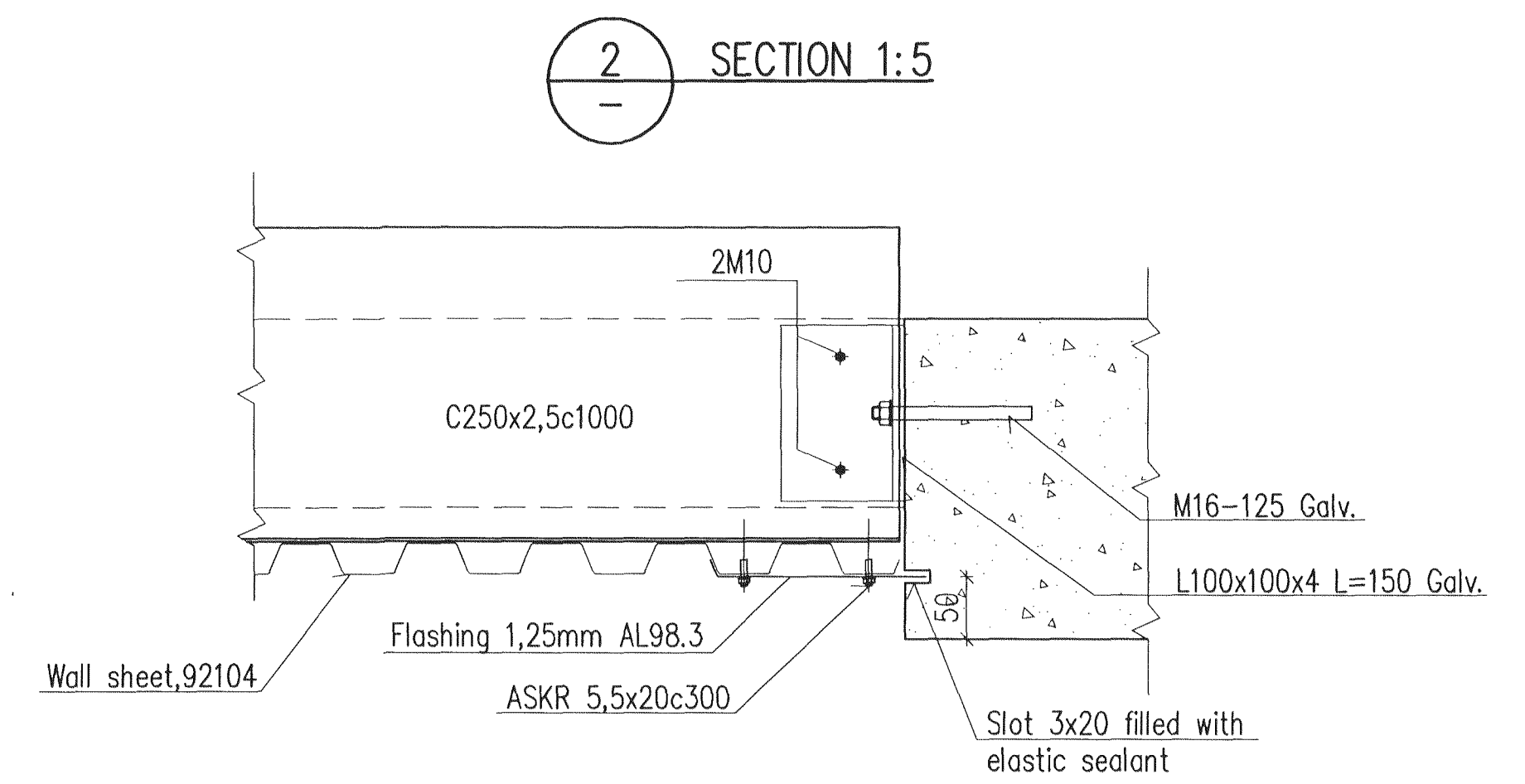
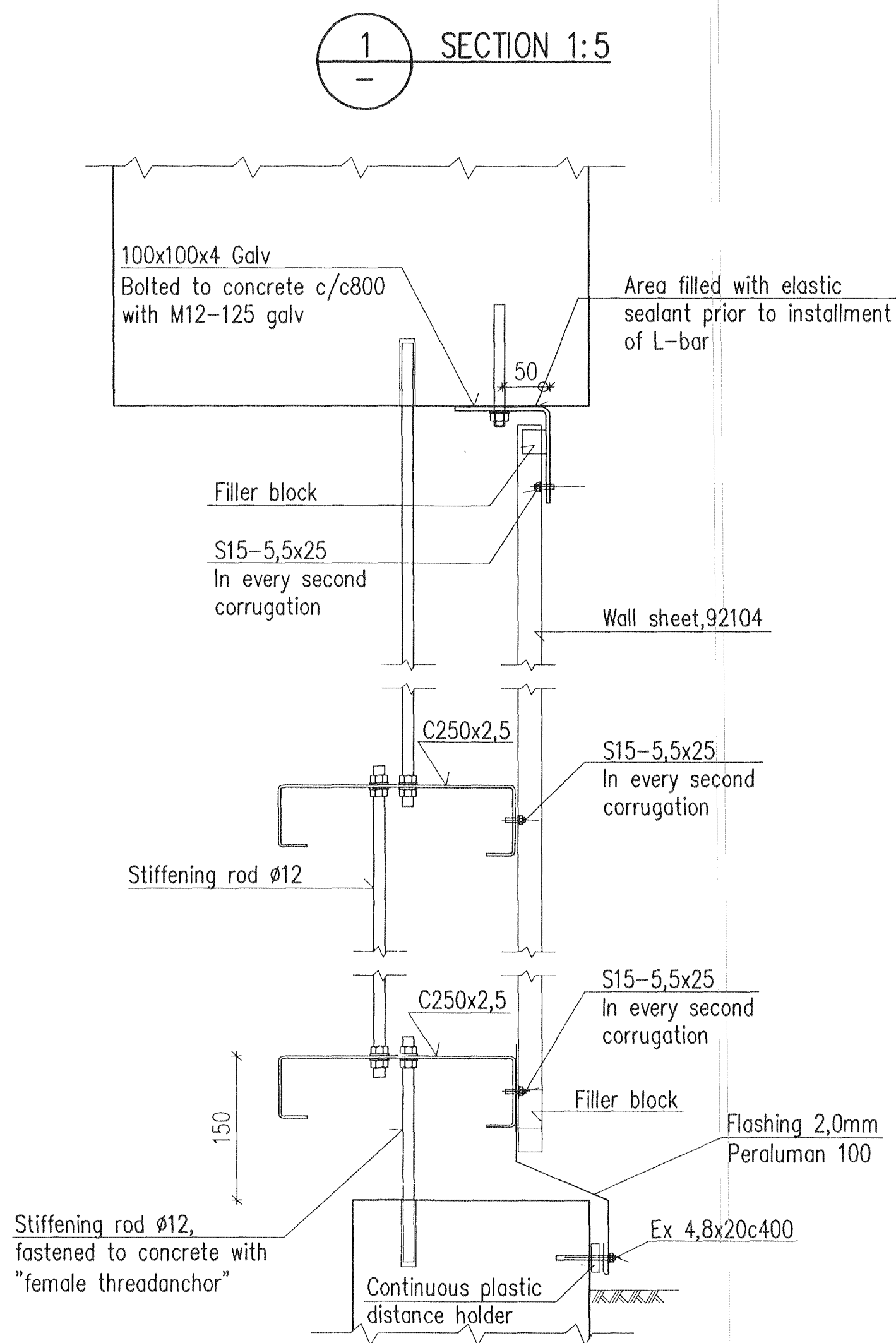
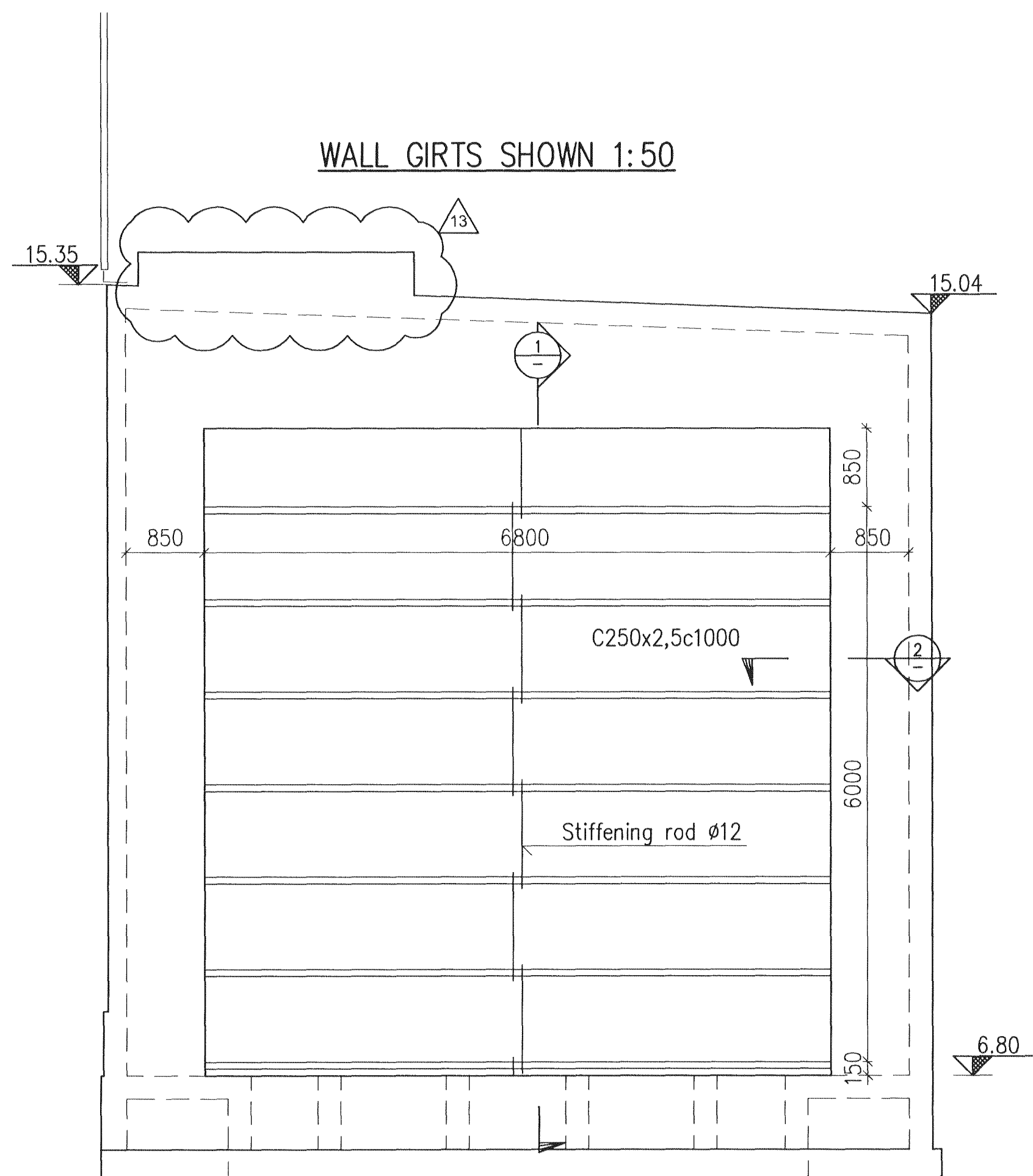


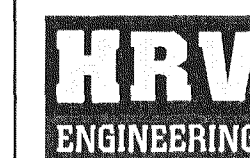
Nick Indriðason



Skýringar:  
Legend:

Útg nr / Rev no	Lýsing / Description	Dagsetning / Date	Han/Ún / Des/Drw	Yfir / Öf	Notk heim / Suppl Rel	Notk heim / ISAL Rel	Stærð / Format: A1	Mkx: / Scale: 1:5, 1:50
13	Foundation wall on roof added, name of drawing changed	11.01.18	HS/LDB	NI	05			
12	Transformer bays	10.12.22	HS/LDB	NNI	05			
11	Issued for construction	10.05.06	HS/LDB	NI	05			

This drawing is the property of Rio Tinto Alcan Iceland Ltd. and handed out for personal use only. It may neither be copied nor made available to others without permission of Rio Tinto Alcan Iceland Ltd. The receiver is liable for any misuse.



Dagsetning / Date 2008.10.01	Teiknað / Drawn LDB
Hannað / Designed HS	Yfir / Öf NI
Verktaki / Supplier HRV	Teikn.númer / Supplier draw.no. IDP-410-CA-015-238
Samþykkt / Approved NI	Samþykkt / Approved NI
Hluti af: / Part of:	

IDP410-RECTIFIER BUILDINGS A5/S1 CLOSURE OF OPENINGS	Flakur nr.: Blað nr.: Nasta bl. nr.:
STRUCURAL STEEL $\Delta$ 13	Kostn.nr.-Ceno. / Búan.nr.-Eq.no. 4011
<b>RioTinto Alcan</b>	AKS
ISAL Alcan Iceland Ltd Sraunavík IS-222 Hafnarfordur Iceland	Teikn.nr. ISAL / Drw.no. of ISAL Breyt./Rev. C
ISAL Yfirforð og skráð, dags / ISAL Checked, date	ISAL Samþykkt, dags / ISAL Approved, date