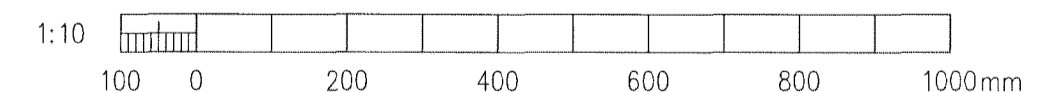
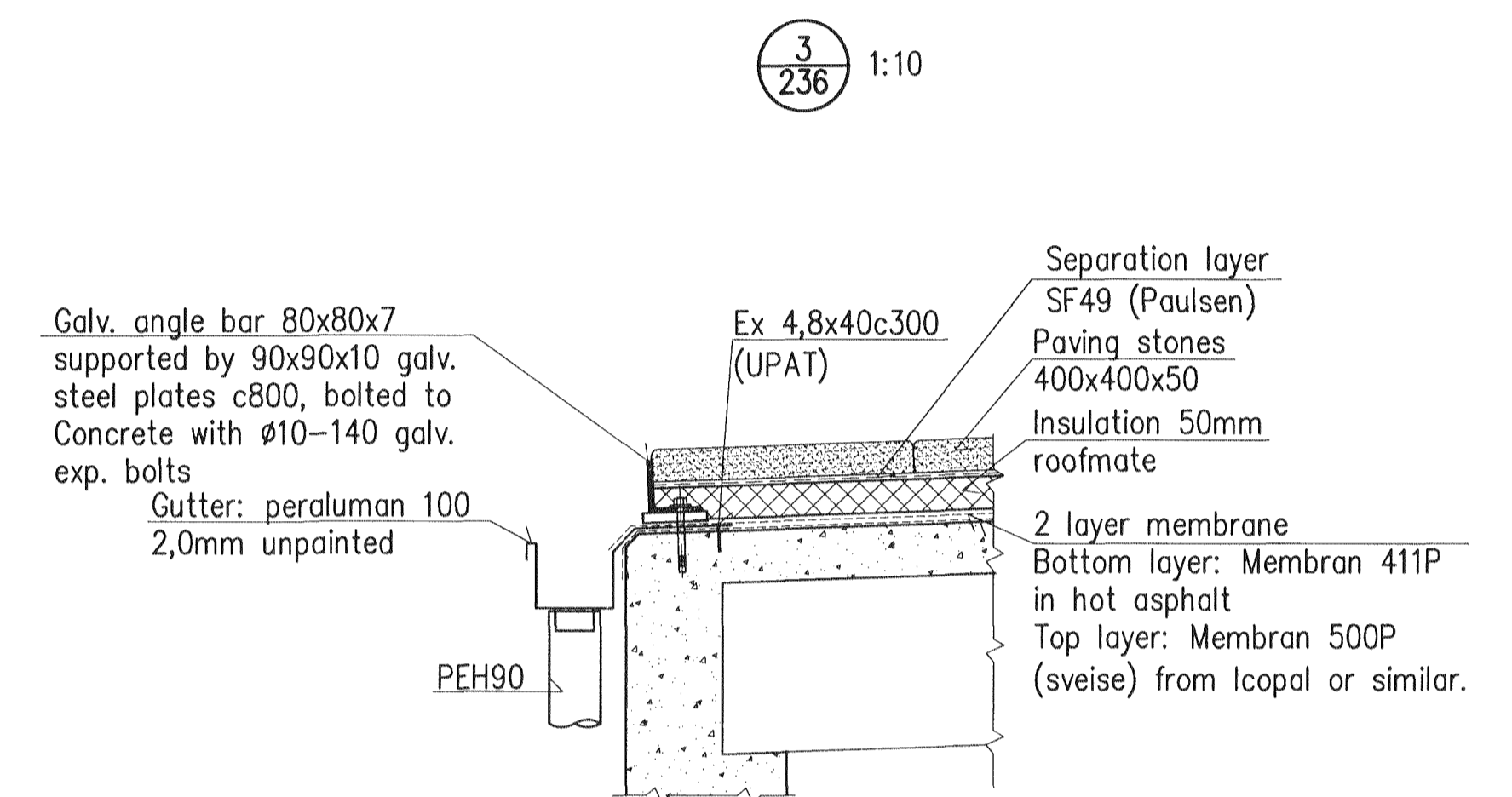
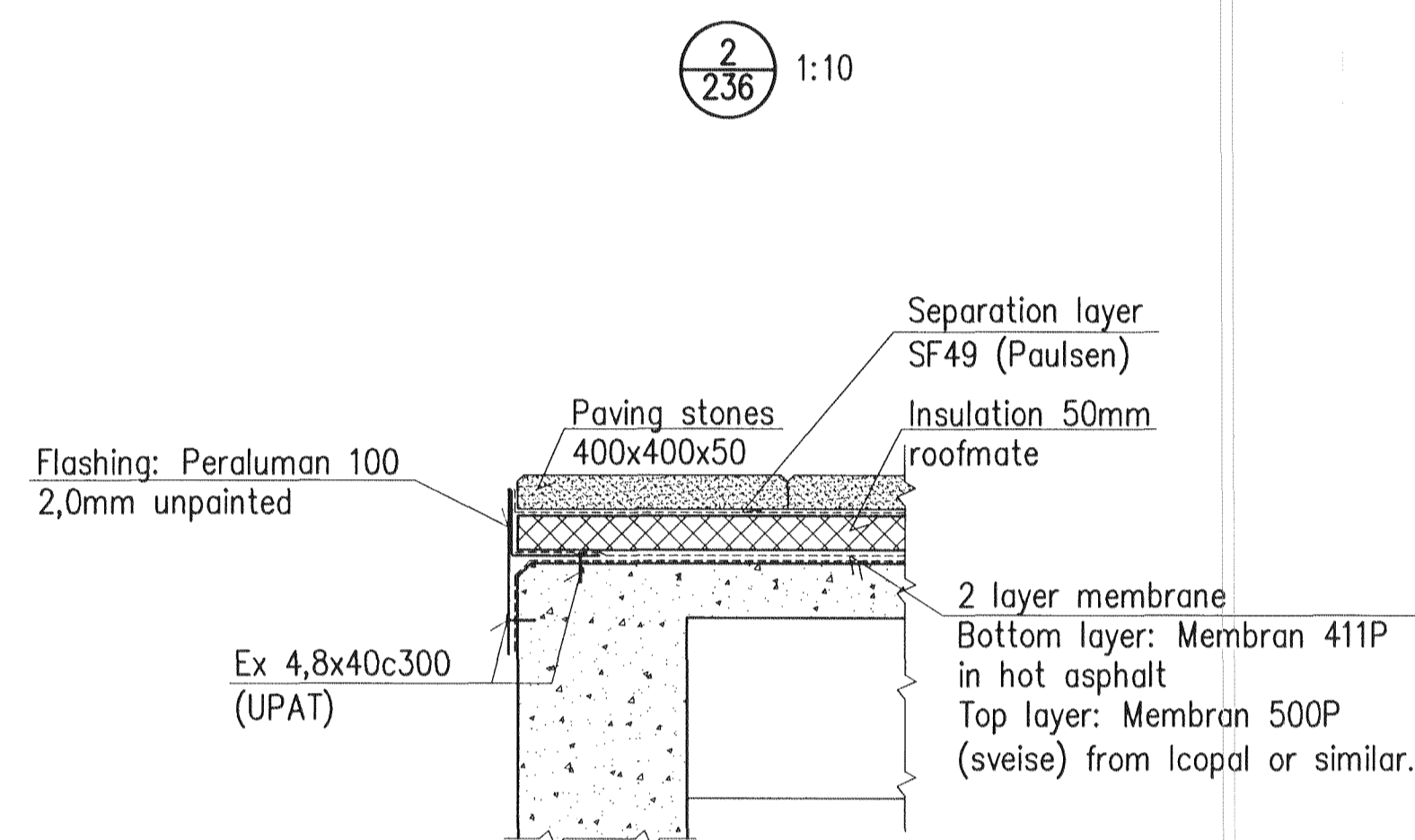
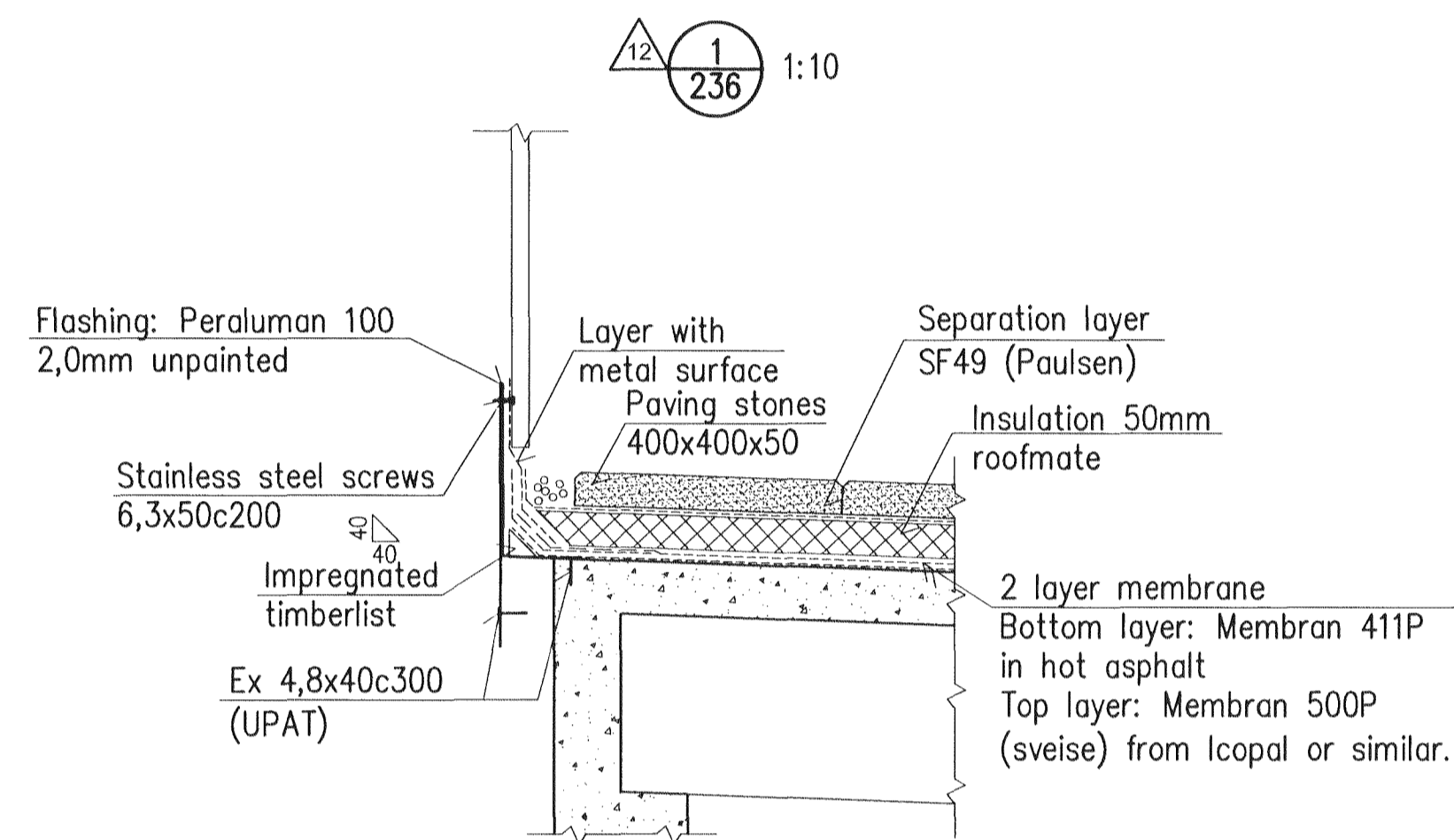
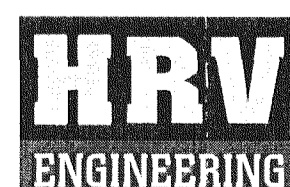


Sampykkt þann  
 05 APR 2011  
 Byggingulveruina í Hafnarfrói  
 F.h. Hrólfur S. Gunnlaugsson

Níels Indriðason  
 NI ISM44-2449



Skýringar:  
 Explanations:



Fjöldi stúkkja Number of pieces	Hlutur Object	Atriði Item	Efni Material	eq.stk Weight	total í heild (kg) bygð	Athugasemdir Remarks
12	Section 1 changed					
11	Issued for construction					
Breyt. Rev.	Breyting Revision	Dags Date	Samþ. Approved	Notk. heimil. Released		

This drawing is the property of the Rio Tinto Alcan Iceland Ltd. and handed out for personal use only. It may neither be copied nor made available to others without permission of the Rio Tinto Alcan Iceland Ltd. the receiver is liable for any misuse.

Fjöldi stúkkja Number of pieces	IV	III	II	I
Hlutur Object	IDP410-RECTIFIER BUILDINGS			
Atriði Item	A5/S1, CONCRETE WORK			
Efni Material	ROOF			
eq.stk Weight	FORMWORK, SECTIONS			
total í heild (kg) bygð	1:10			
Athugasemdir Remarks	Kostnaði-Útnúmer / Óðna-Eq.no. 4011			
	AWS no.			
Verkari / Supplier	HRV			
Teknað Drawn	LDB/HS	2008.10.01	Yfirfarið Checked	NI
Samþykkt Approved	NI			
ISAL Drw.no of ISAL / Tekn.nr. ISAL	Breyt./Rev.			
Teknað Drawn	Yfirfarið og skráð Checked and filed			
	Nokun heimil. Released			