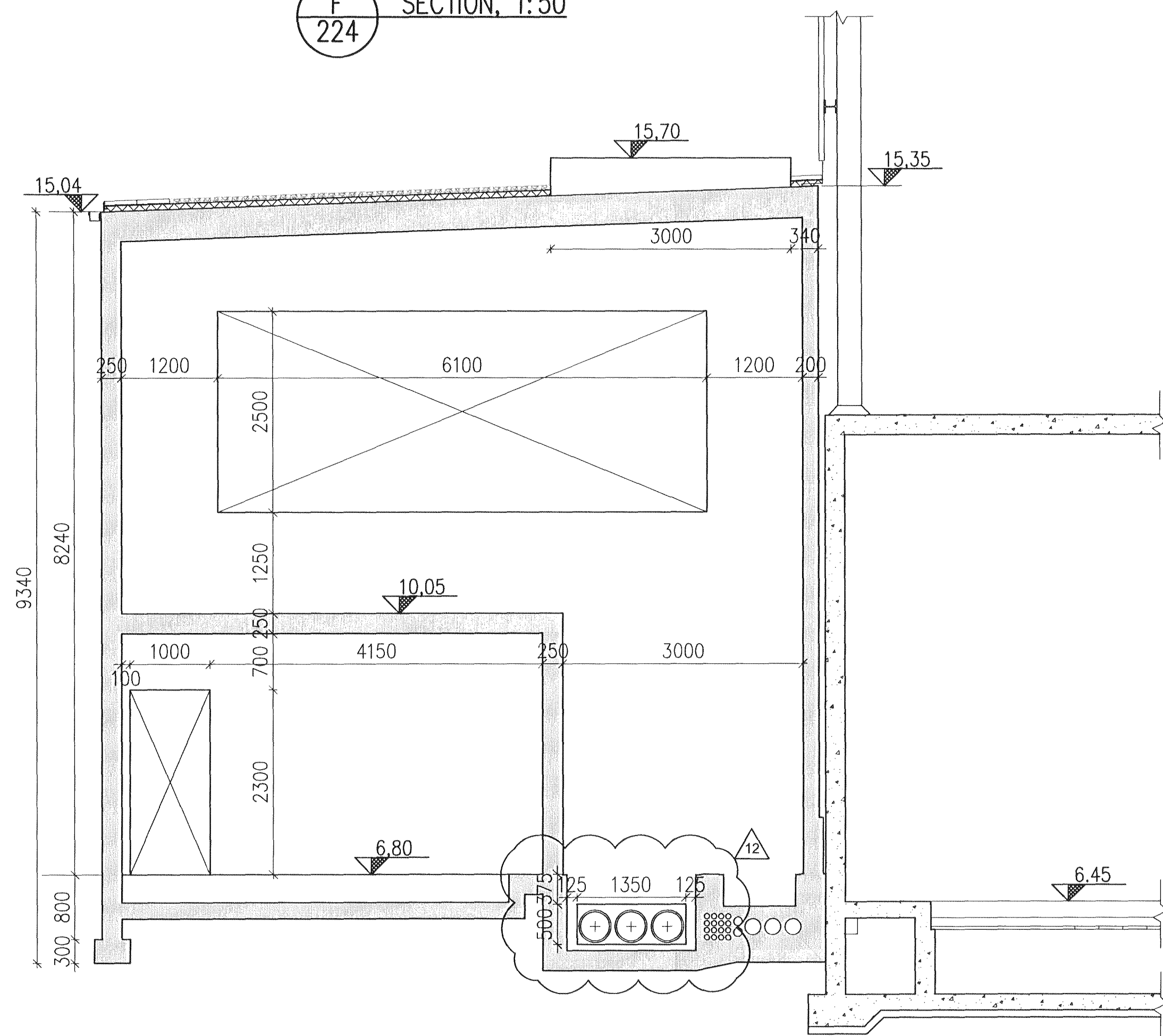
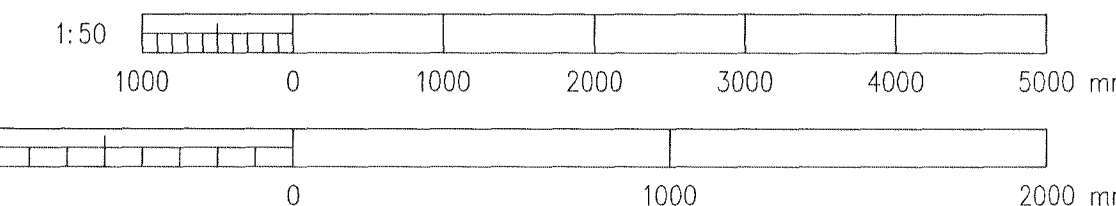
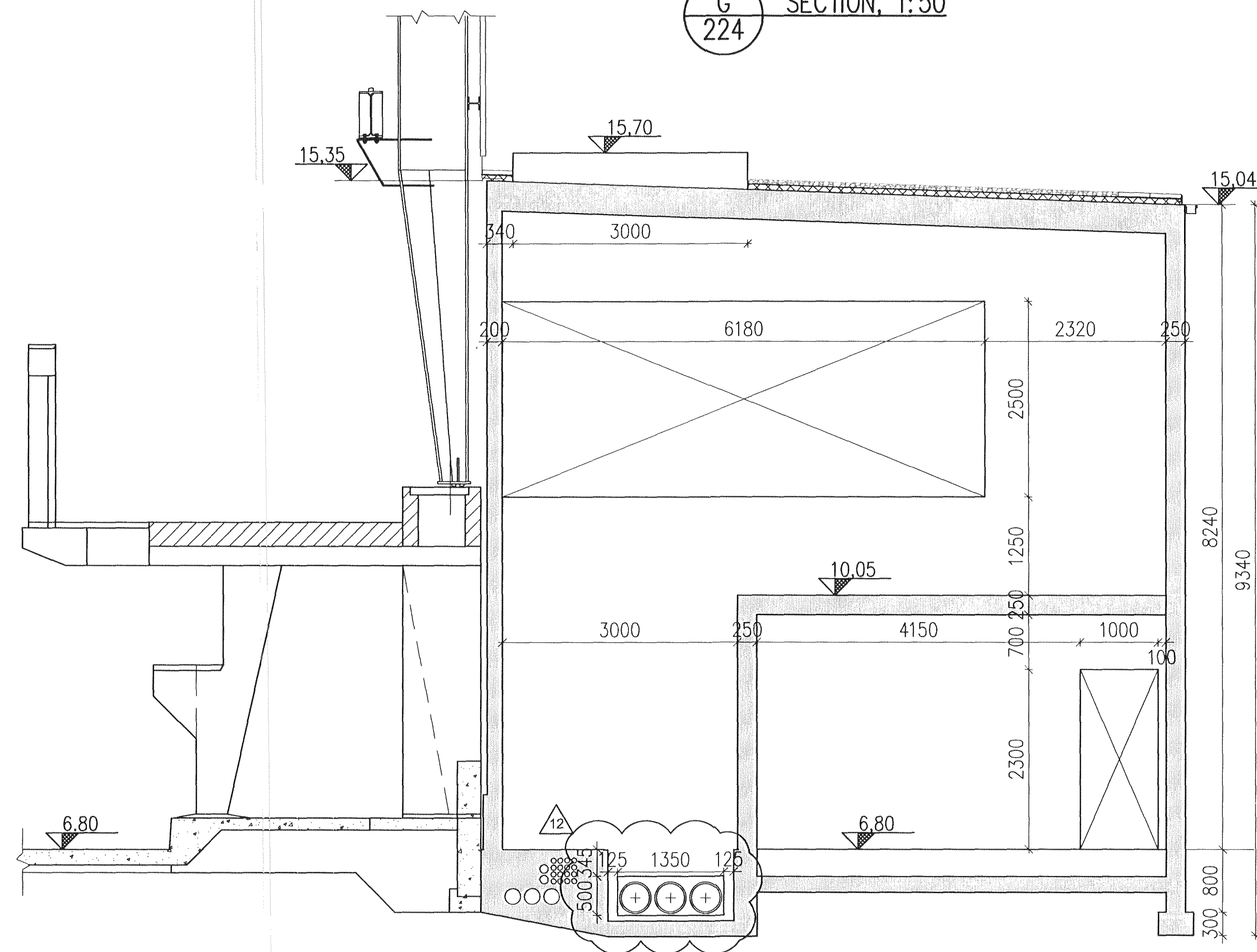


Nick Indriðason
 Ní 131444 2944

F SECTION, 1:50
 224



G SECTION, 1:50
 224



CONCRETE: C30/37:XF3-32

Skýringar:
 Legend:

Glg nr / Rev no	Lýsing / Description	Dagsetning / Date	Har / Rn / Des / Drw	Yfir / Chk /	Notk heim / Suppl / Rel	Notk heim / ISAL / Rel
12	Cut out marked	11.03.03	GMG/LDB	NI	ÓS	
11	Issued for construction	11.01.18	GMG/GMC	NI	ÓS	

This drawing is the property of Rio Tinto Alcan Iceland Ltd. and handed out for personal use only. It may neither be copied nor made available to others without permission of Rio Tinto Alcan Iceland Ltd. The receiver is liable for any misuse.

Stærð: A1
 Mkv.: Scale: 1:20, 1:50
 Formati: A1
 Dimensions without tolerances according to ISO 2768-1 medium.



Dagsetning / Date: 2011.01.18
 Hönnuð / Designed: GMG
 Teikn / Drawn: GMG
 Verktaki / Supplier: HRV
 Tekn.nr.verktaka / Supplier drw.no: IPU-410-CA-015-230
 Samþykkt / Approved: NI
 Yfir / Chk: NI
 Hluti af: / Part of:

IPU 410-RECTIFIER BUILDINGS
 A5/S1
 SECTIONS F AND G
 FORM WORK

Flokkur nr.: Blað nr.: Nasta bl.nr.:
 4011
 ISAL Alcan Iceland Ltd
 Straumsvæð
 IS-222 Heklaflugá
 Ísland
 ISAL / Drw.no. of ISAL: Breyt./Rev.:
 C