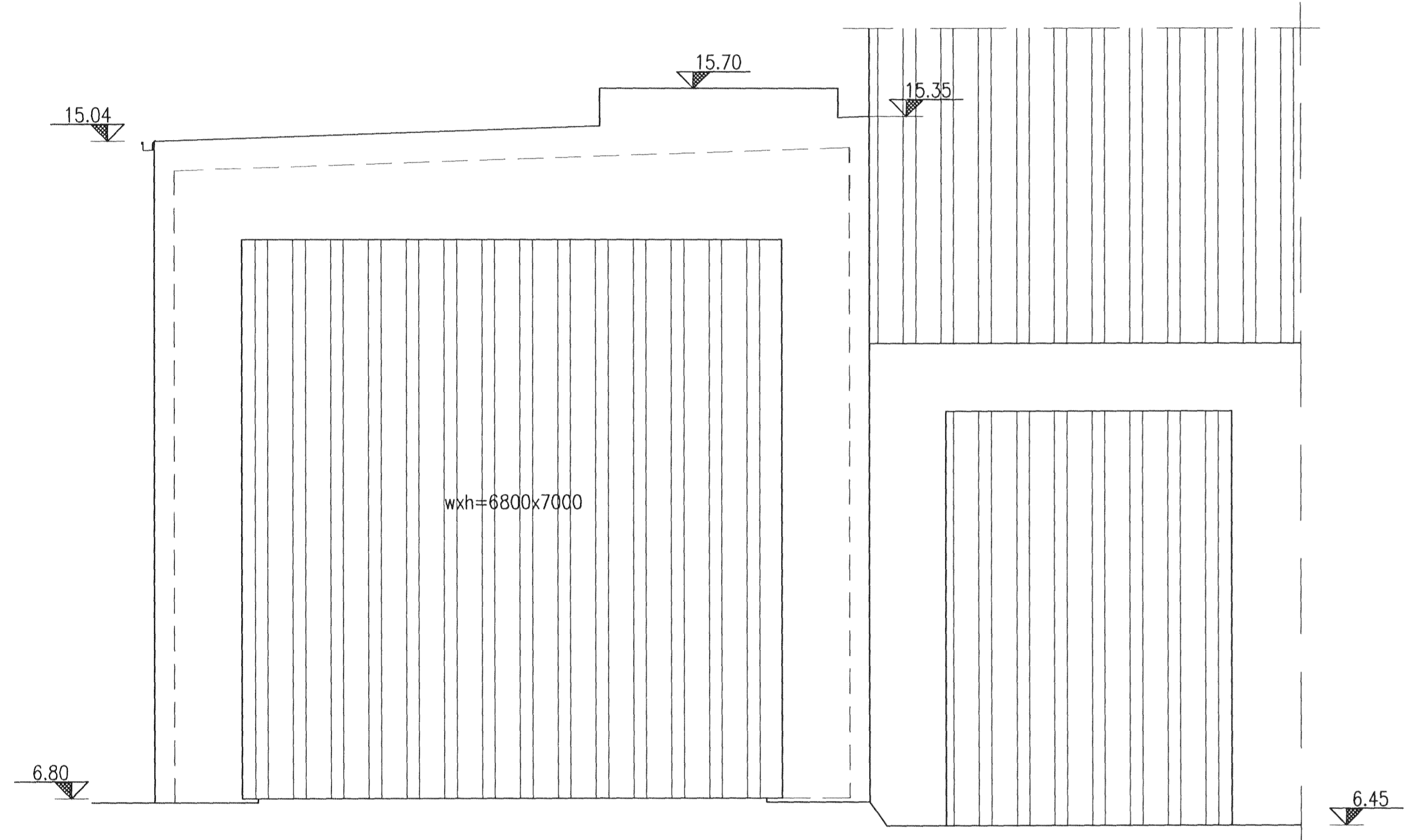
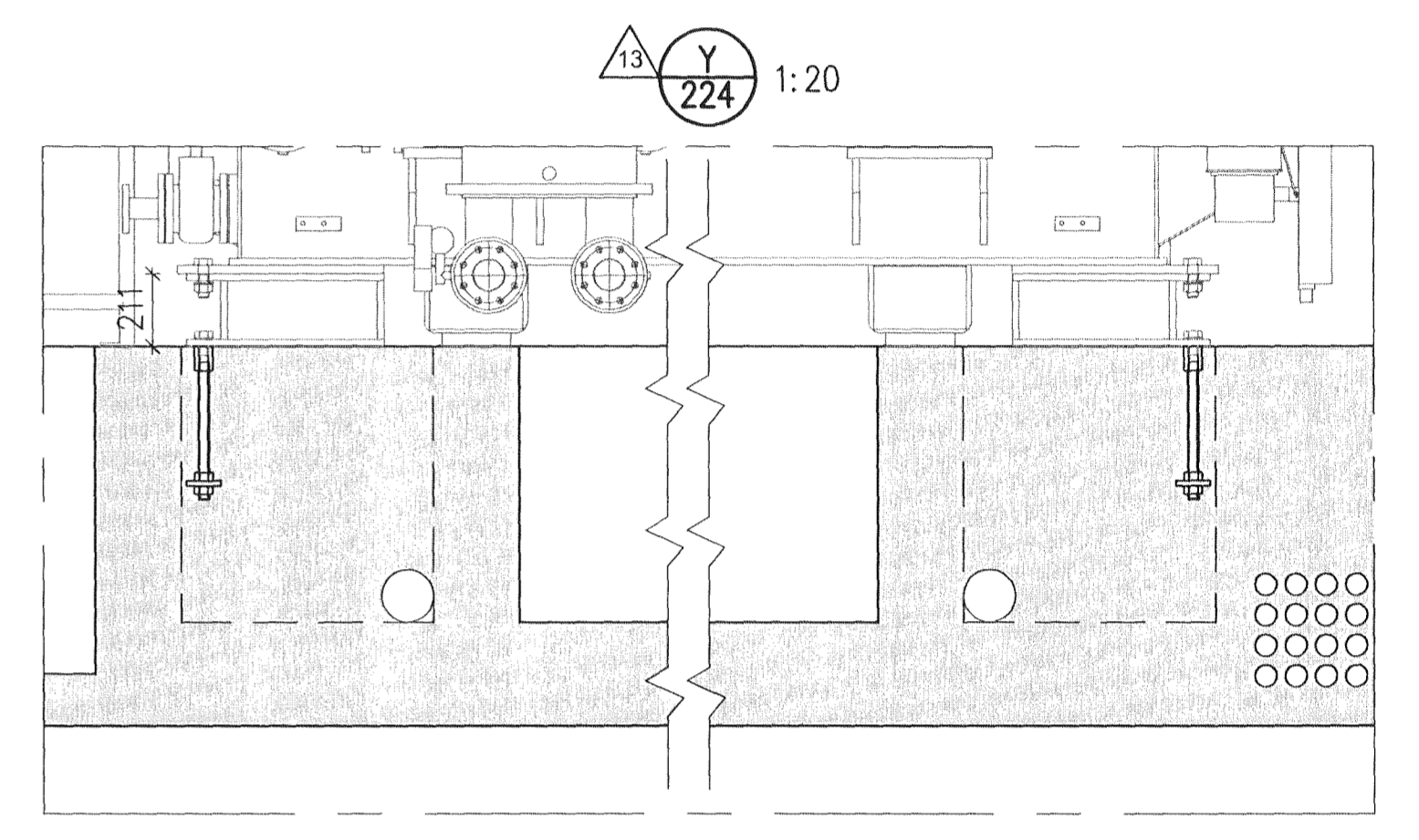
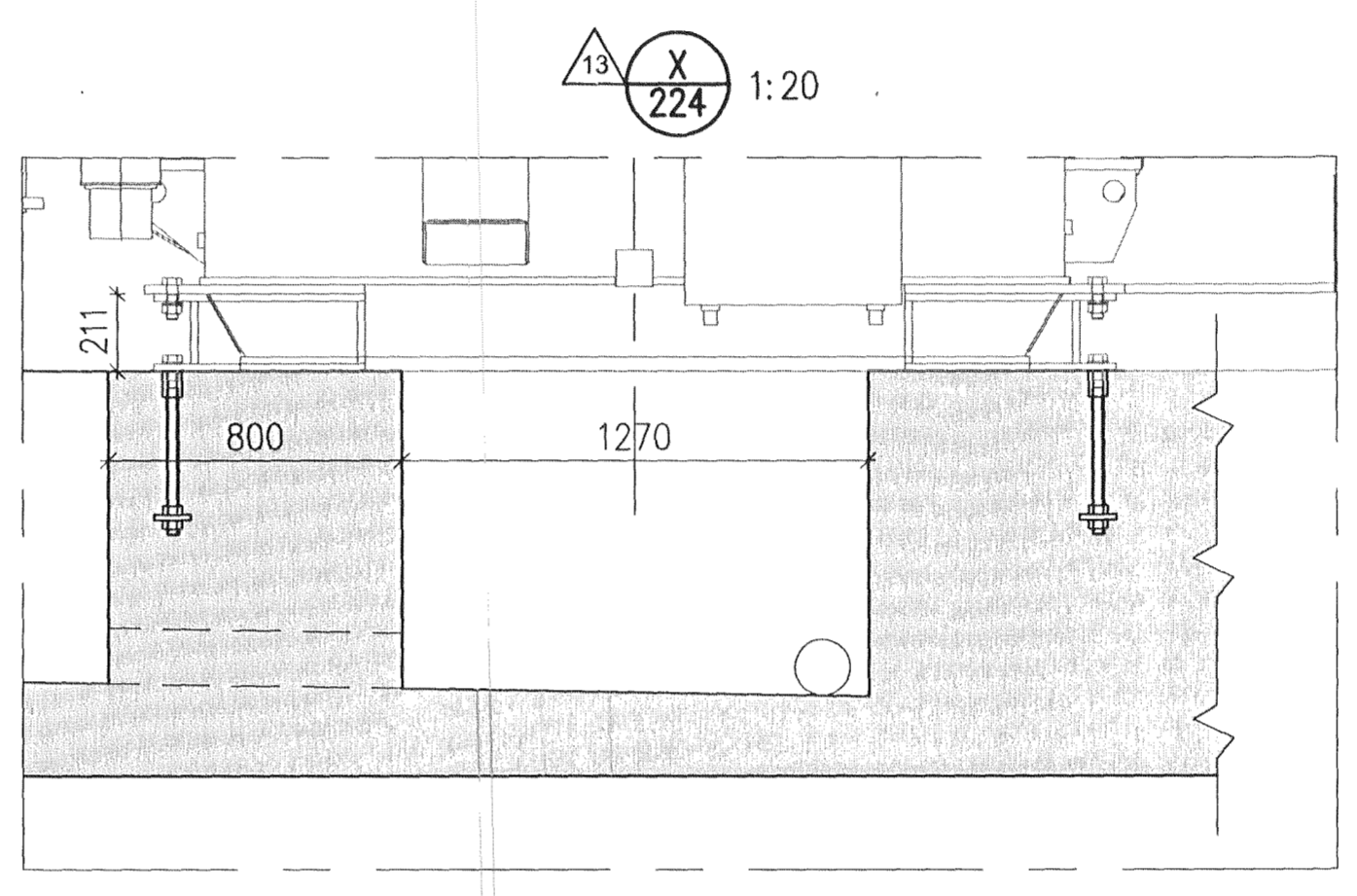
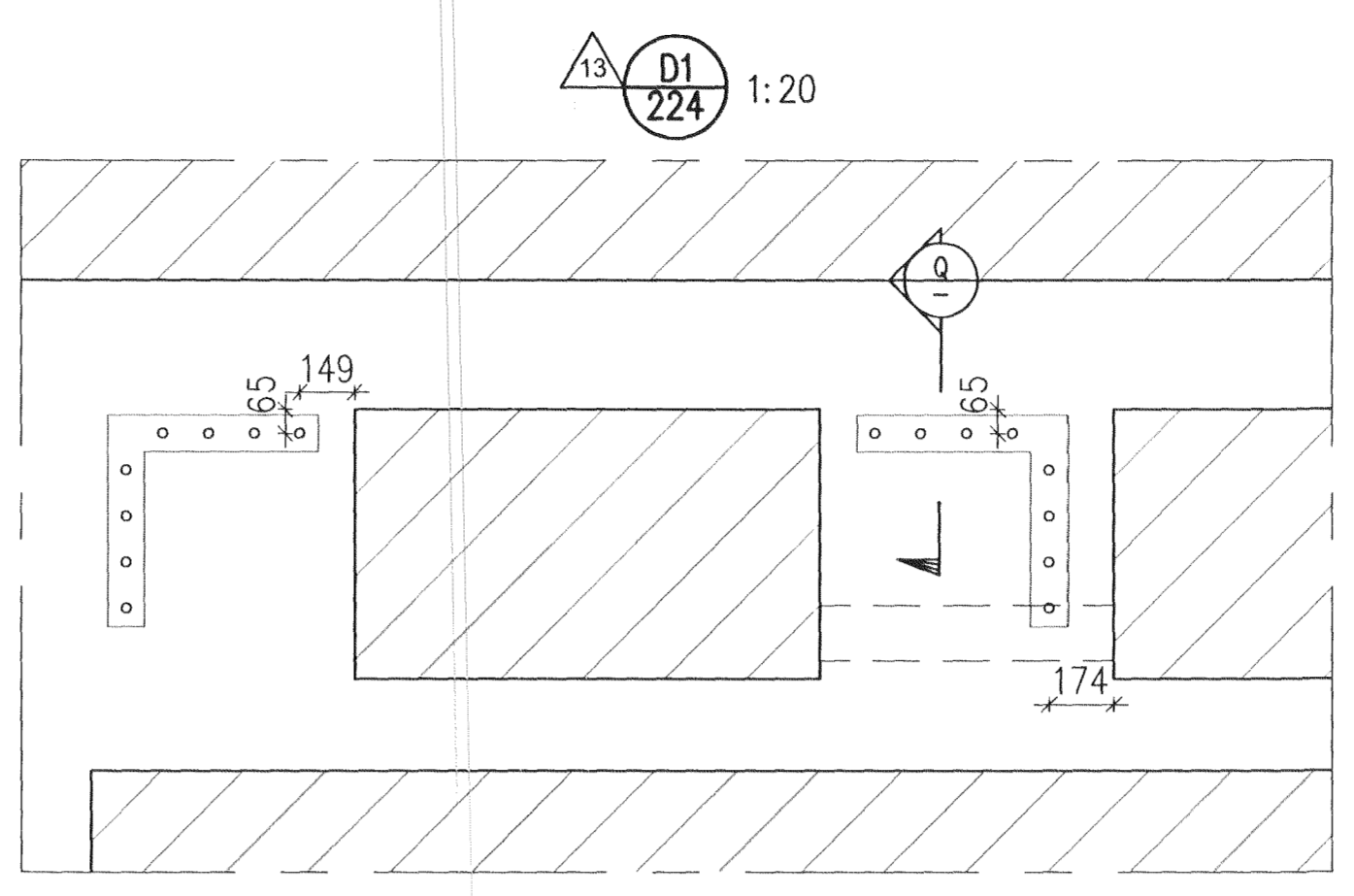


Sampykkt þann  
 05 APR 2011  
 Byggingatulltrúnn í Hafnarfirði  
 F.h. Hrölfur S. Gunnlaugsson

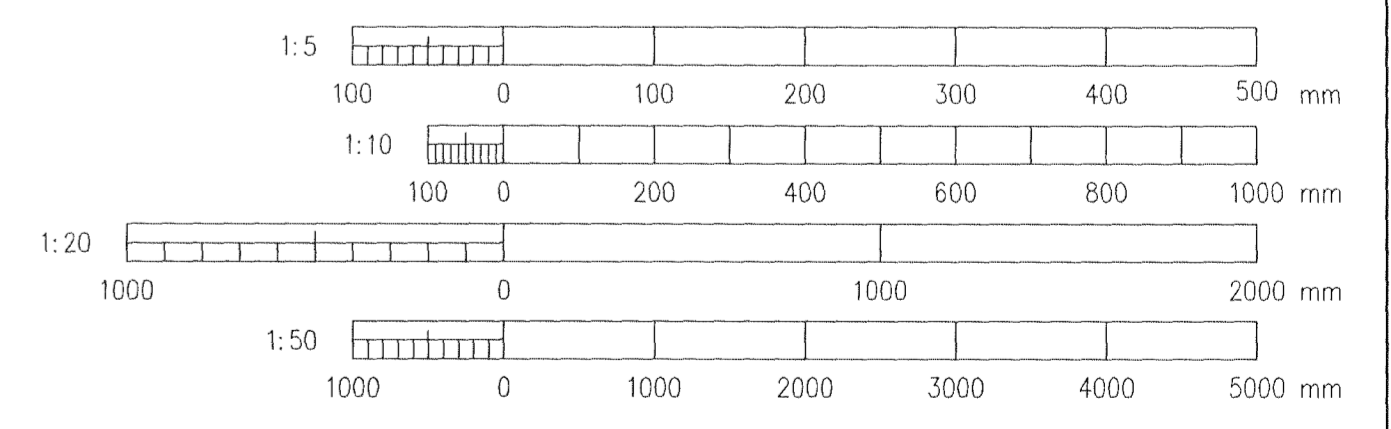
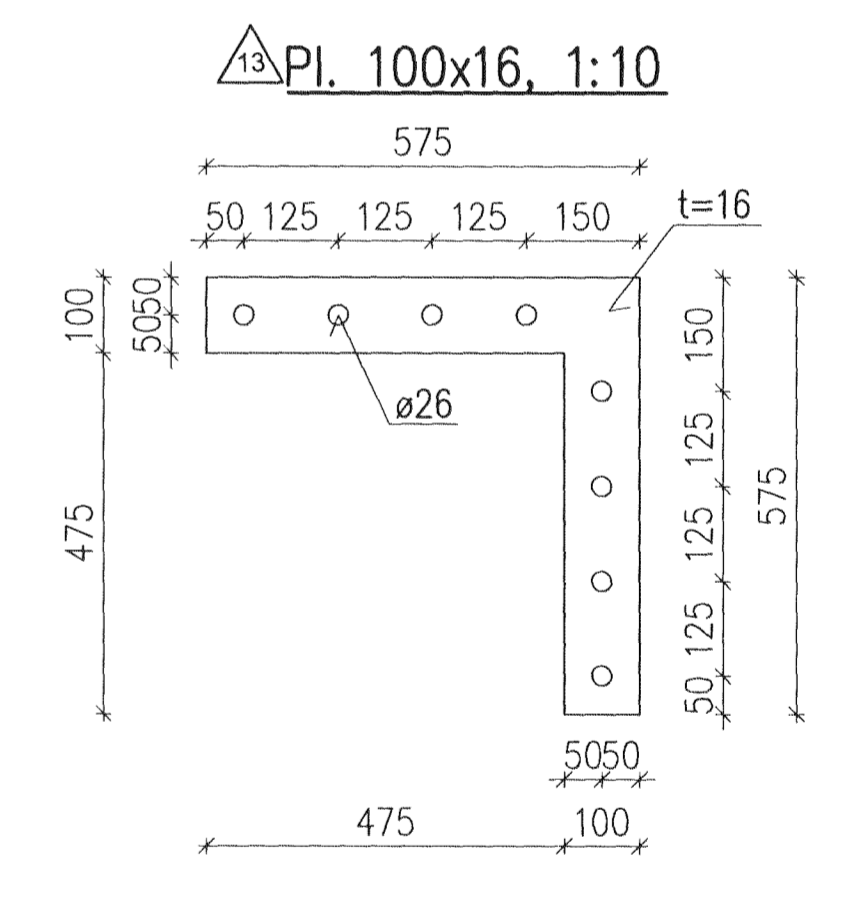
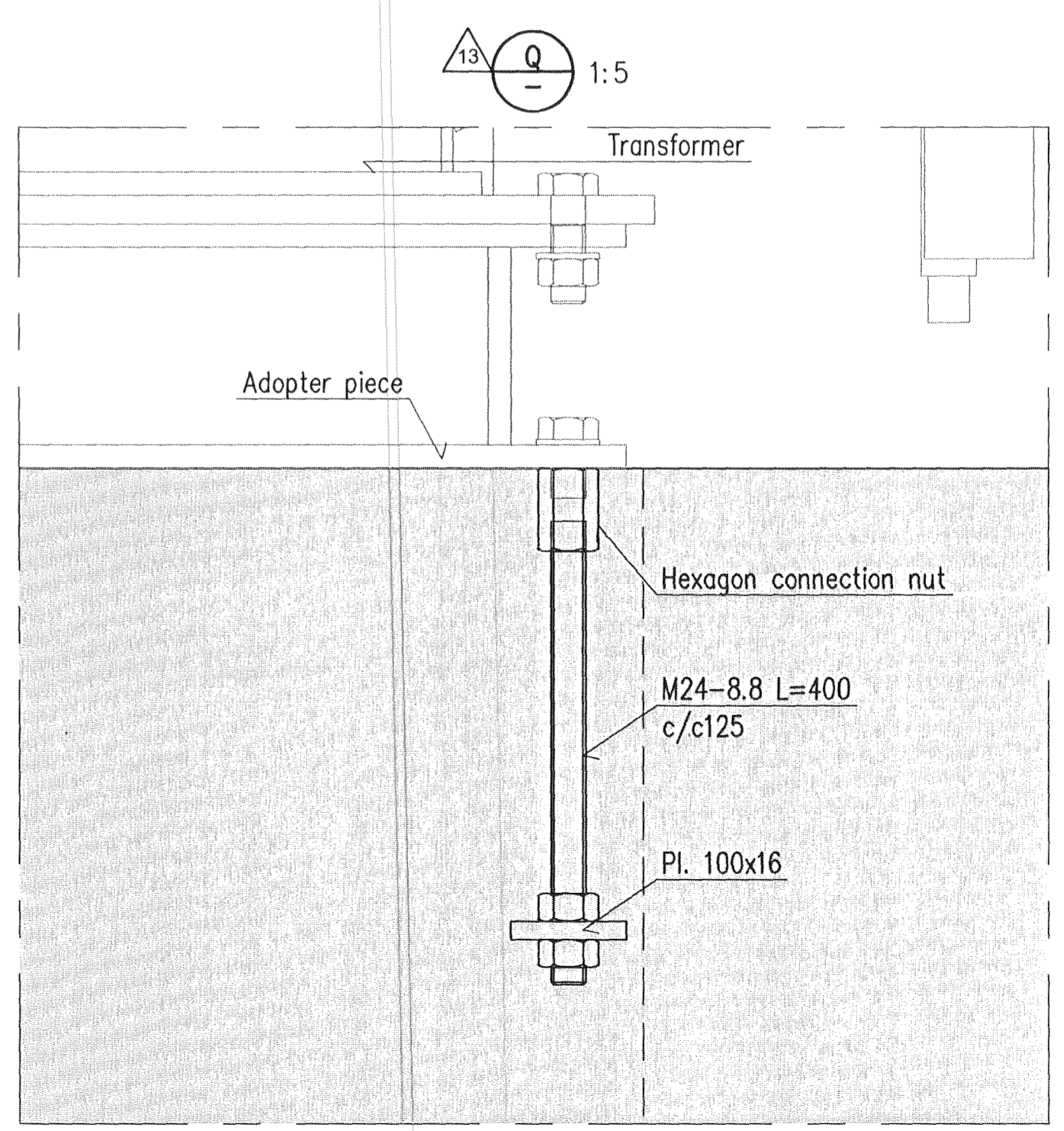
Níels Indriðason  
 NI 181144-3946



RECTIFIER A5+S1

RECTIFIER A4  
 POTROOM 1

SIDE VIEW 1:50



Skýringar:  
 Legend:

Dwg. nr / Rev. no	Lýsing / Description	Dagsetning / Date	Han/Dkn / Des/Drw	Yfir / Ckd	Notk. heim. / Suppl. Rel	Notk. heim. / ISAL Rel
13	Detail D1, sections Q, X, Y & Pl. 100x16 added	11.03.03	HS/LDB	NI	ÓS	
12	Minor changes	11.01.18	HS/LDB	NI	ÓS	
11	Issued for construction	10.05.06	HS/LDB	NI	ÓS	

This drawing is the property of Rio Tinto Alcan Iceland Ltd. and handed out for personal use only. It may neither be copied nor made available to others without permission of Rio Tinto Alcan Iceland Ltd. The receiver is liable for any misuse.

Start: A1  
 Min.: 5/10/20/50  
 Format: A1  
 Scale: 1:5/10/20/50  
 Dimensions without tolerances according to ISO 2768-1 medium.

Dagsetning / Date: 2009.01.22

Hannað / Designed: HS  
 Teikn / Drawn: LDB

Verktaki / Supplier: HRV

Teikn.nr.verktaka / Supplier drw.no.: IDP-410-CA-015-226

Sampykkt / Approved: NI  
 Yfirt / Chkd: NI

Hluti of / Part of:

**HRV ENGINEERING**

IDP410-RECTIFIER BUILDINGS  
 A5/S1  
 SIDE VIEW 2/2, FASTENING FOR TRANSFORMER  
 FORM WORK

Flokkur nr.: 4011  
 Blað nr.: AKS  
 Nasta bl. nr.: 4011

**RioTintoAlcan**

ISAL Yfirfarið og skráð, dags / ISAL Checked, date  
 ISAL Sampykkt, dags / ISAL Approved, date