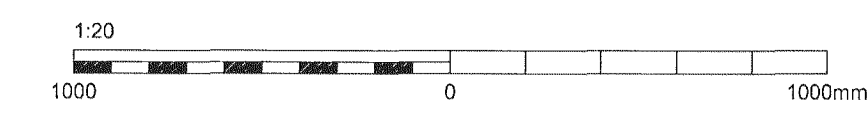
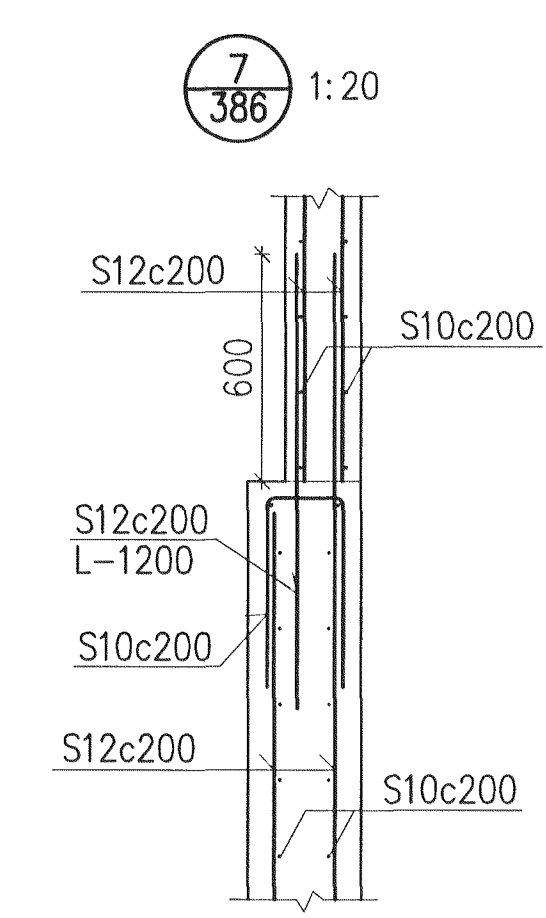
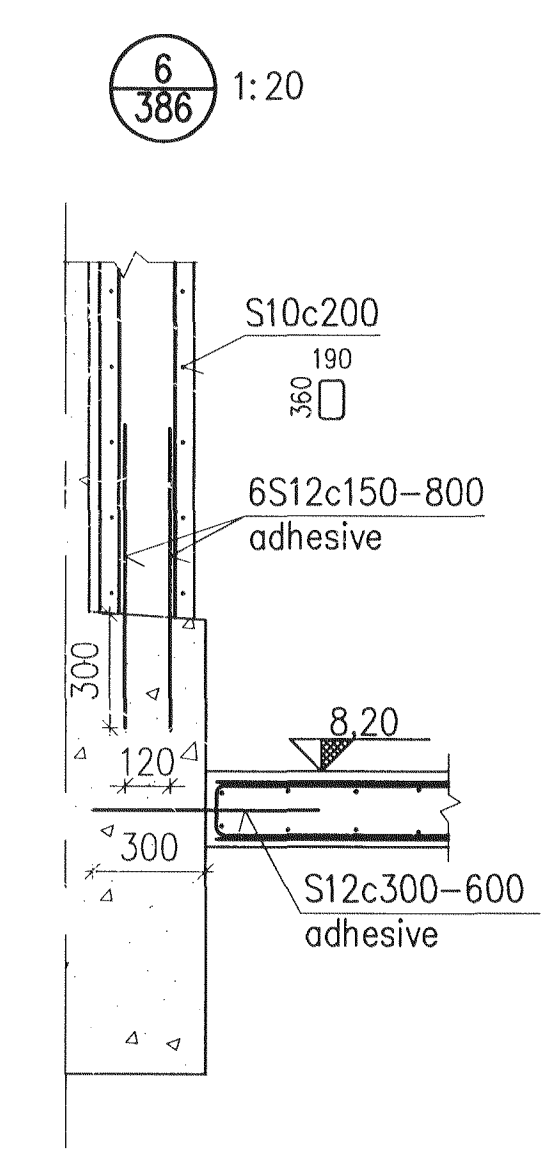
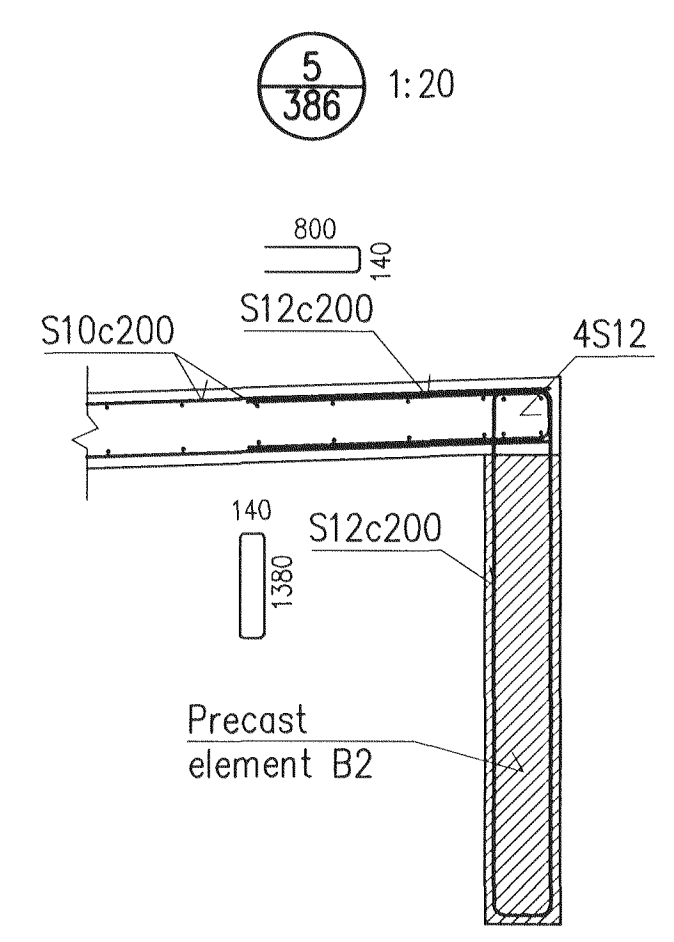
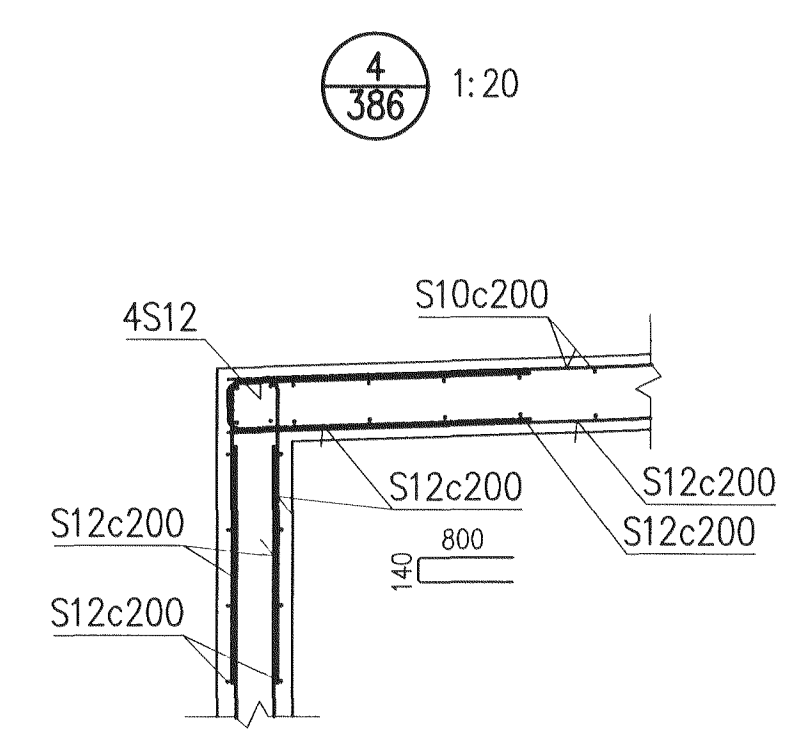
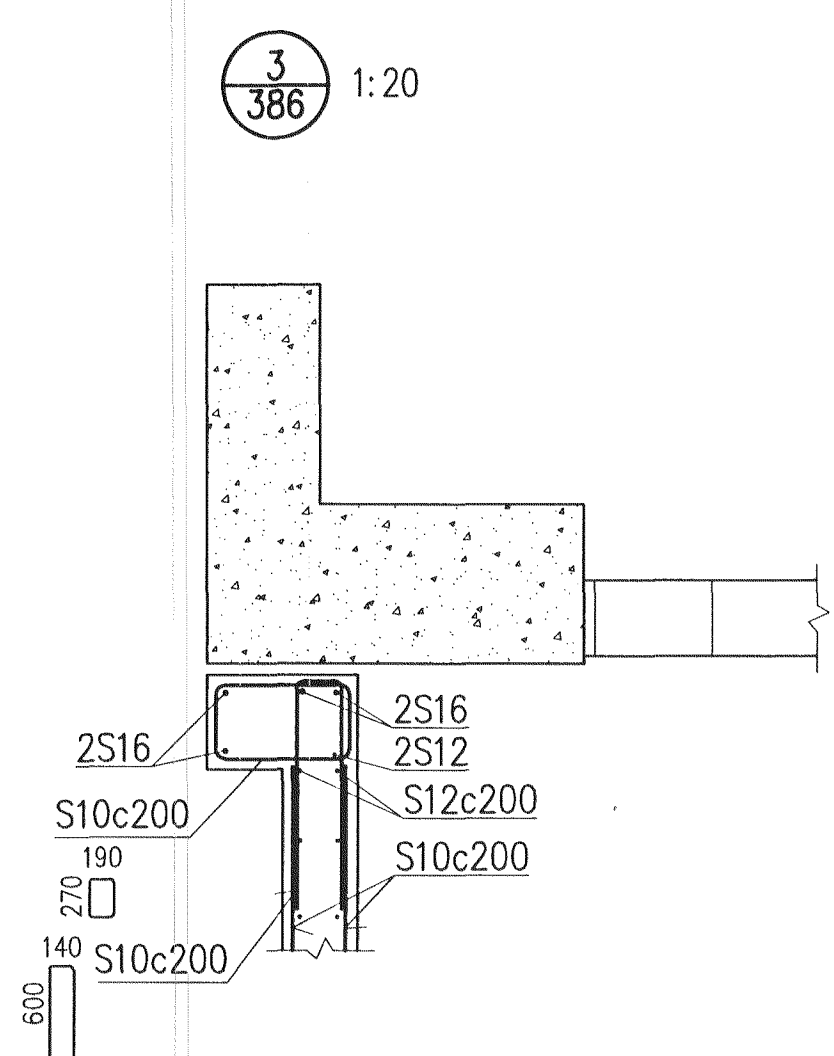
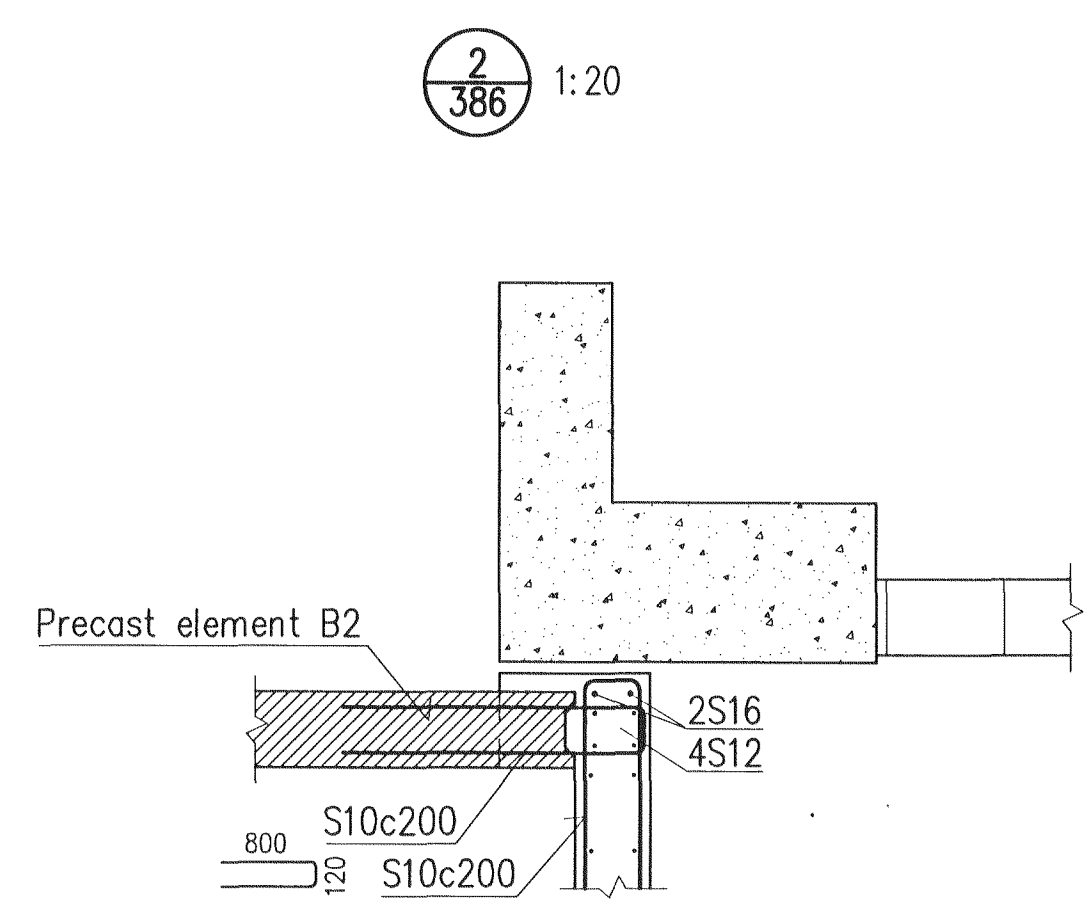
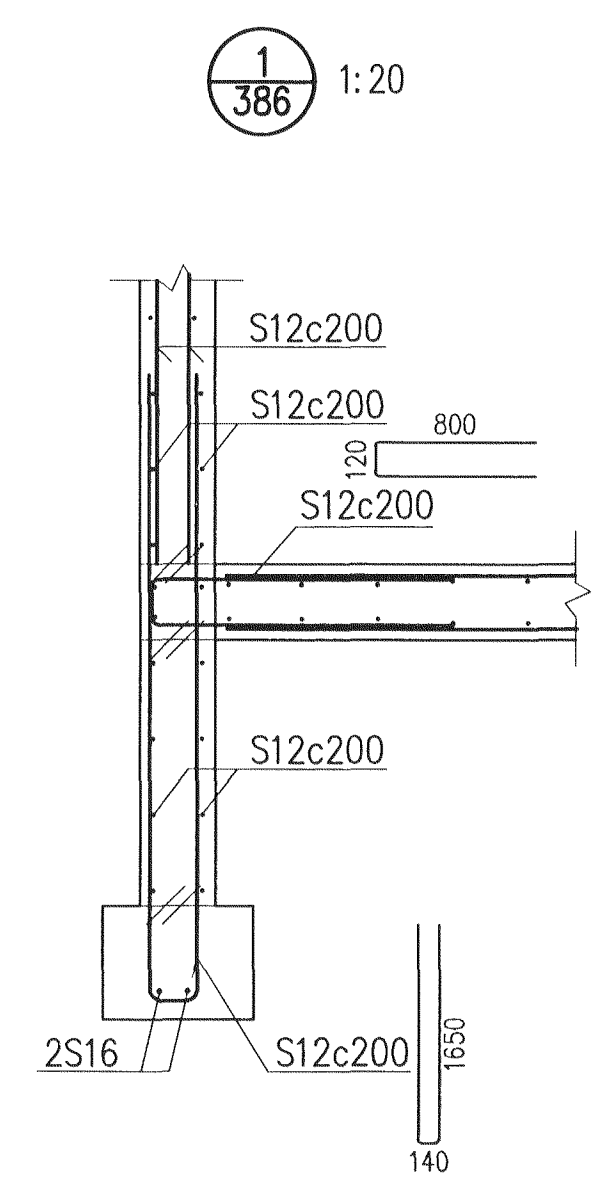


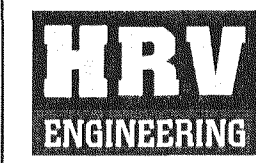
Níli Indriðsson
 Nj 1511443949



Skýringar:
 Legend: Concrete: C30/37:XF3-32
 Precast elements are shown on
 drw. IDP-410-CA-015-388

11	Issue for construction	11.03.01	GMG	NI	OS				
Ólg nr Rev no	Lýsing Description	Dagsetning Date	Har/Ún Des/Drw	Yfir Ckd	Notk heim Suppl Ref	Nalk heim ISAL Ref			

This drawing is the property of Rio Tinto Alcan Iceland Ltd. and handed out for personal use only. It may neither be copied nor made available to others without permission of Rio Tinto Alcan Iceland Ltd. The receiver is liable for any misuse.
 Stærð: A1 Máv: 1:20
 Formát: A1 Skala: 1:20
 Dimensions without tolerances according to ISO 2768-1 medium.



Dagsetning / Date	2011.02.21
Hannað / Designed	GMG
Teikn / Drawn	GMG
Verktaki / Supplier	HRV
Teikn.nr.verktaka / Supplier drw.no	IDP-410-CA-015-387
Samb.útt / Approved	NI
Yfir / Chkd	NI
Hluti af / Part of:	

IPU 410 - RECTIFIER BUILDINGS
 INTAKE BUILDING PL 3
 SECTIONS
 REINFORCEMENT

Rio Tinto Alcan
 Alcan Iceland Ltd
 Straumsvík
 IS-222 Hálfarþingur
 Ísland

Flakkur nr.:	Blað nr.:	Nesta bl. nr.:
Kostn.nr.-Ceno. / Bón.nr.-Eq.no		
AKS		
Teikn.nr. ISAL / Drw.no. of ISAL	Breyt./Rev.	C
ISAL Yfirfarið og sýkið, dags / ISAL Checked, date	ISAL Samþykkt, dags / ISAL Approval, date	