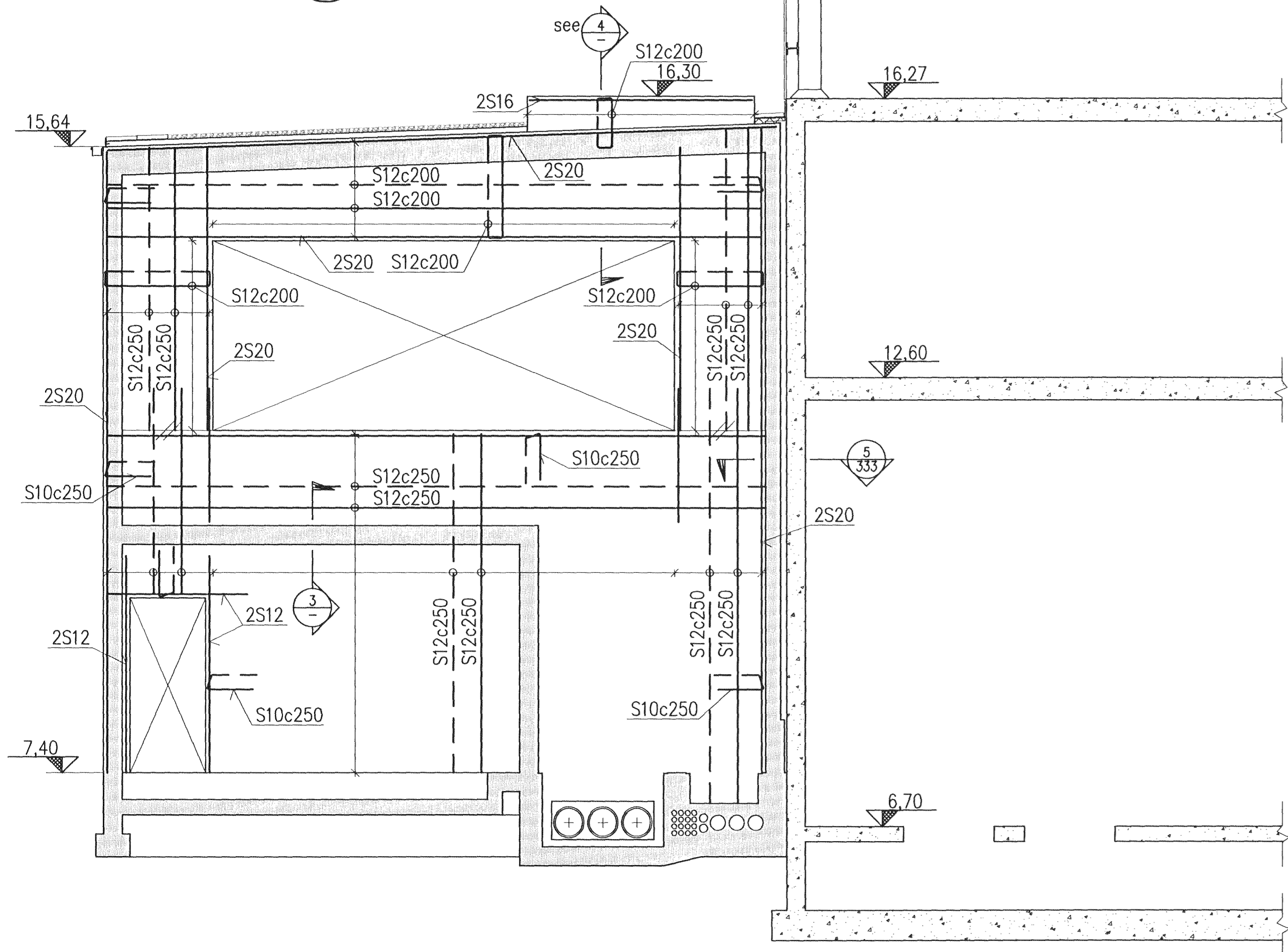


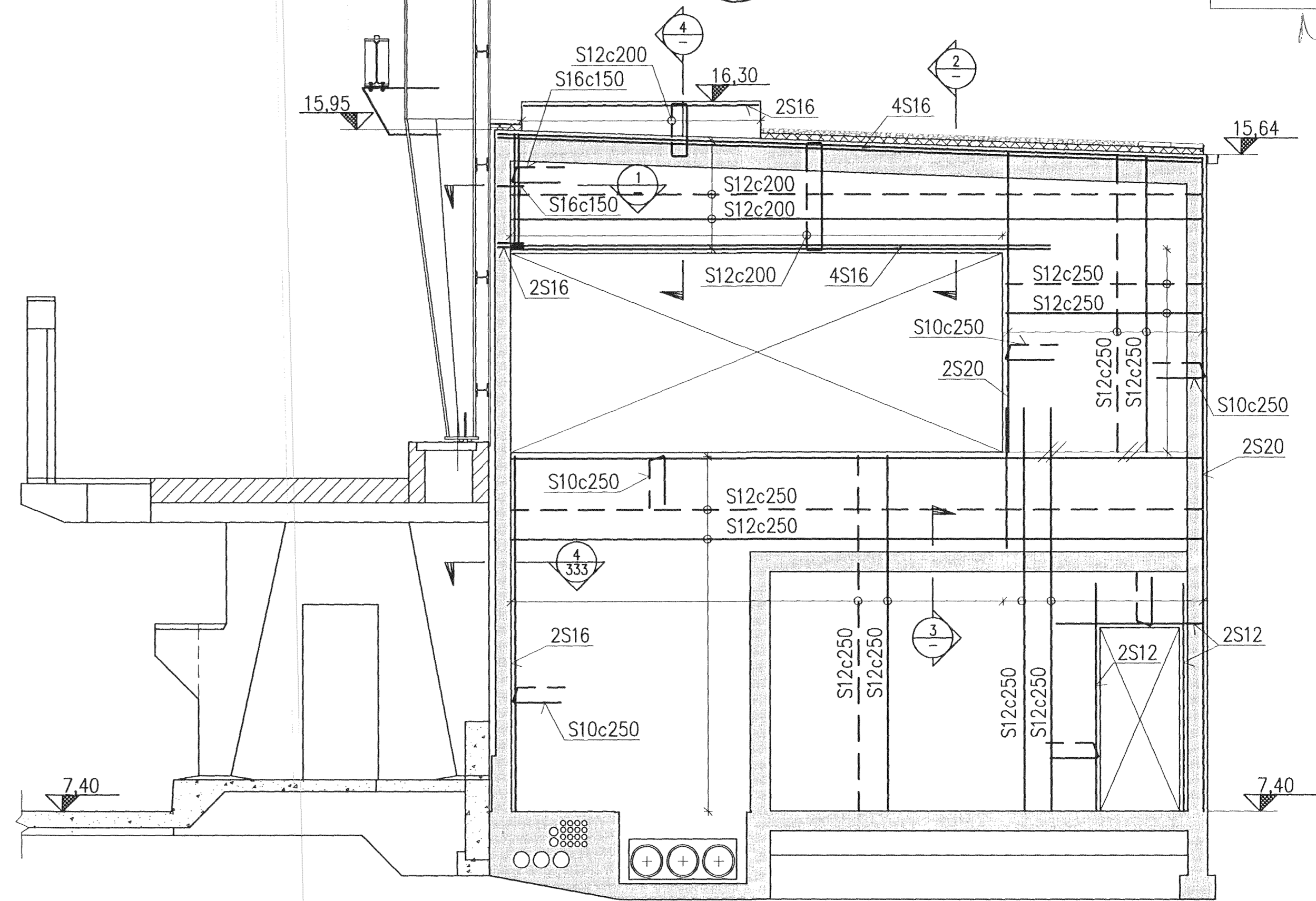
Samþykkt þann
 04 APR 2011
 Byggingaútlitarrátt HÍarnáttúru
 Fh. Hrólfur S. Gunnlaugsson

Niel Indriðason
 NI 19444-2549

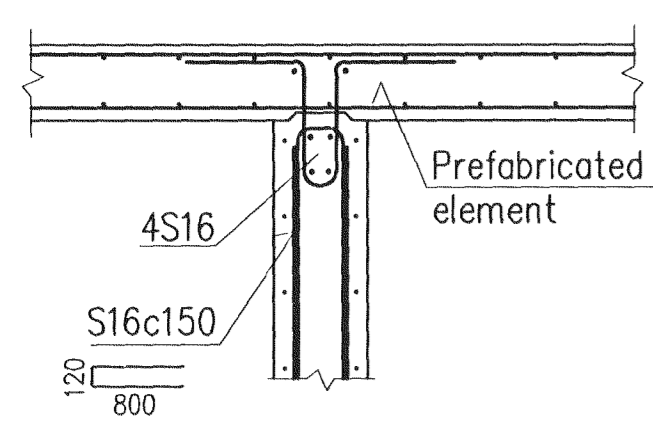
E
 SECTION, 1:50
 331



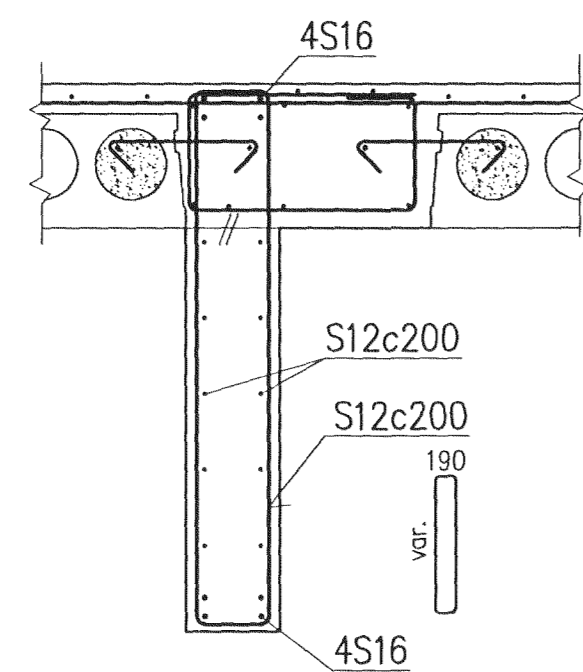
F
 SECTION, 1:50
 331



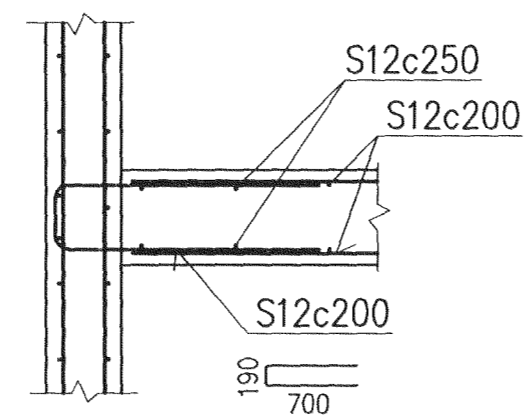
1
 1:20



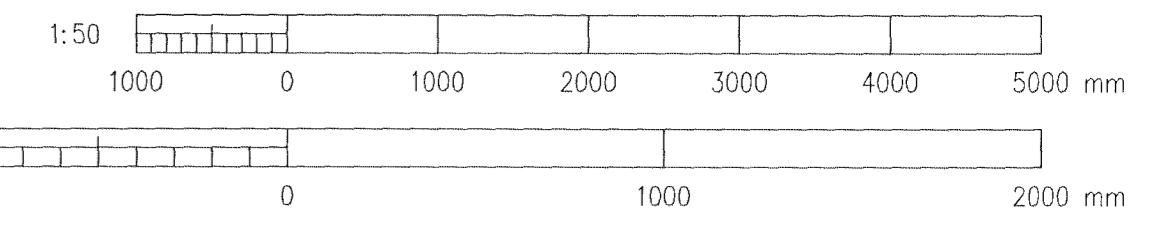
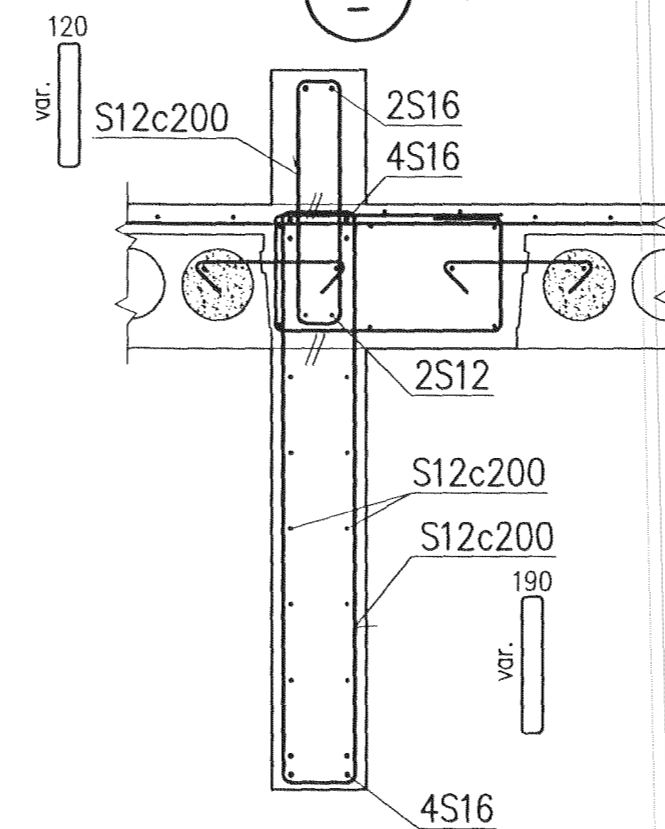
2
 1:20



3
 1:20



4
 1:20



CONCRETE: C30/37:XF3-32
 Reinforcement: See drw. IDP-410-CA-015-030

Skýringar:
 Legend:

1	Issue for construction	11.03.07	HS/LDB	NI	ÓS		
Glg nr	Lýsing	Dagsetning	Höf./Rn	Yfir	Notk heim	Notk heim	
Rev no	Description	Date	Des/Drw	Chk	Suppl	Rel	ISAL Rel

This drawing is the property of Rio Tinto Alcan Iceland Ltd. and handed out for personal use only. It may neither be copied nor made available to others without permission of Rio Tinto Alcan Iceland Ltd. The receiver is liable for any misuse.

Starf: A1
 Mkv.: 1:20, 1:50
 Format: A1
 Scale: 1:20, 1:50
 Dimensions without tolerances according to ISO 2768-1 medium.

HRV ENGINEERING

Dagsetning / Date: 2011.03.07
 Hönnað / Designed: GMG
 Teikn / Drawn: GMG
 Verktaki / Supplier: HRV
 Teikn.nr.verktaka / Supplier drw.no: IDP-410-CA-015-339
 Samþykkt / Approved: NI
 Yfir / Chkd: NI
 Hluti af / Part of:

Rio Tinto Alcan

IPU410-RECTIFIER BUILDINGS
 B5/S2
 INTERIOR WALLS, SIDE VIEWS AND DETAILS
 REINFORCEMENT

Flakur nr.:
 Blað nr.:
 Nesti bl.nr.:
 Kostn.nr.-Cno. / Blun.nr.-Eqno
 AKS
 ISAL
 Tegn.nr. ISAL / Drw.no. of ISAL
 Breyt./Rev: C
 ISAL Yfirfarð og skrifað, dags / ISAL Checked, date
 ISAL Samþykkt, dags / ISAL Approval, date