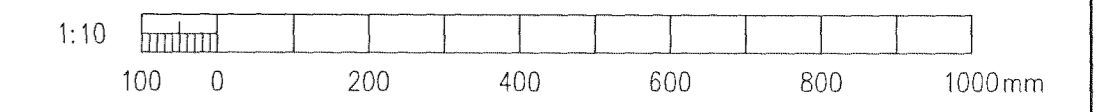
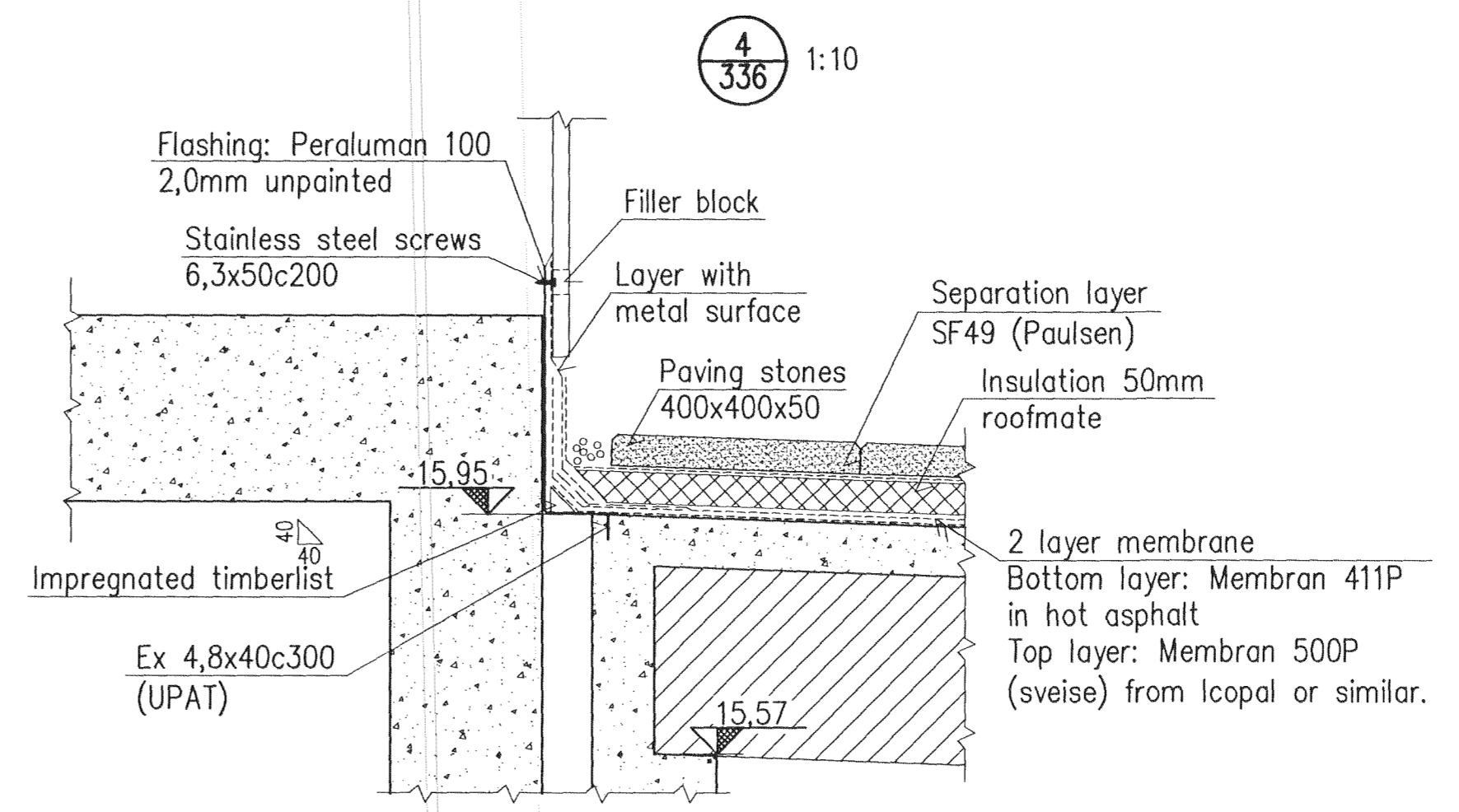
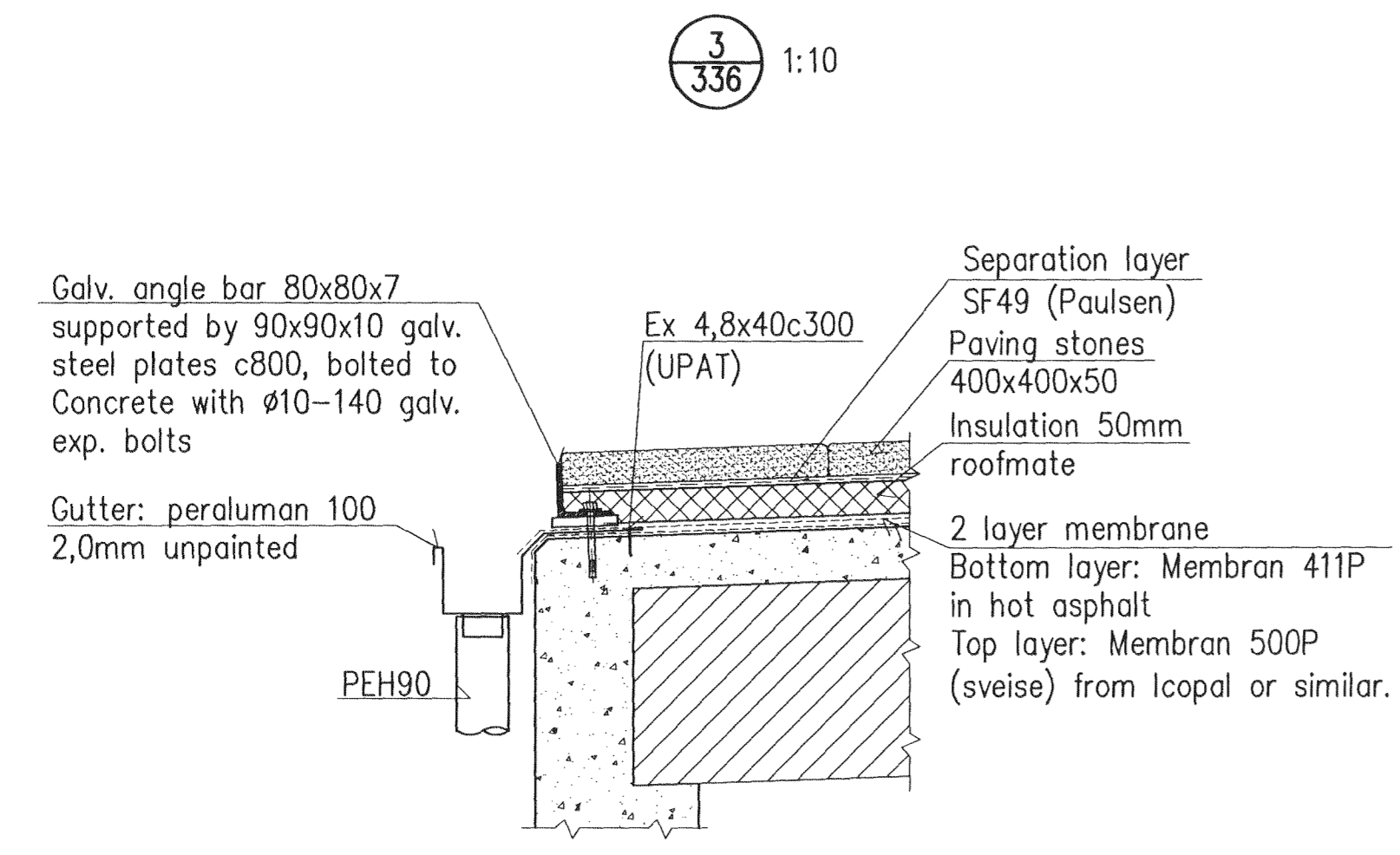
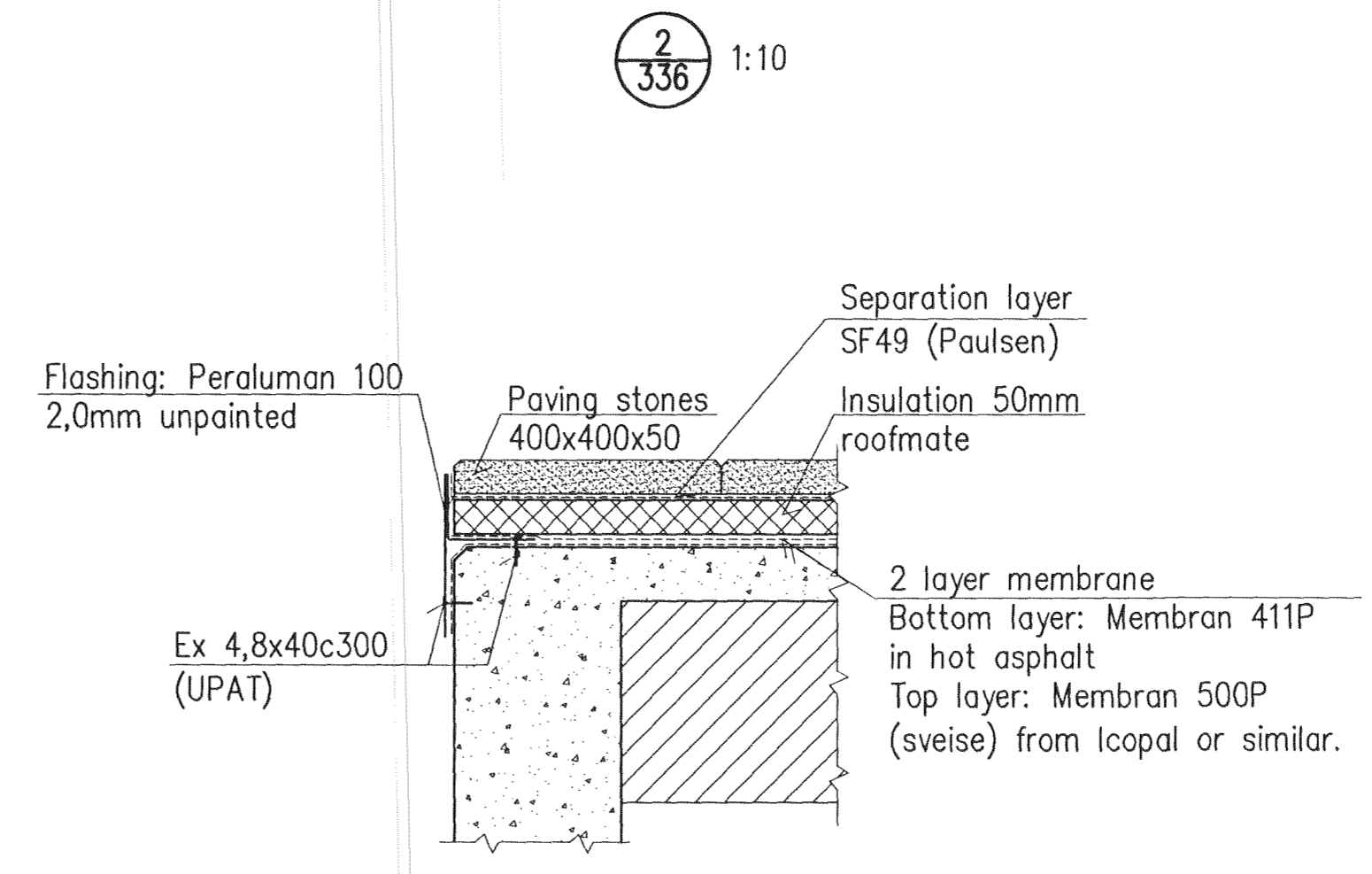
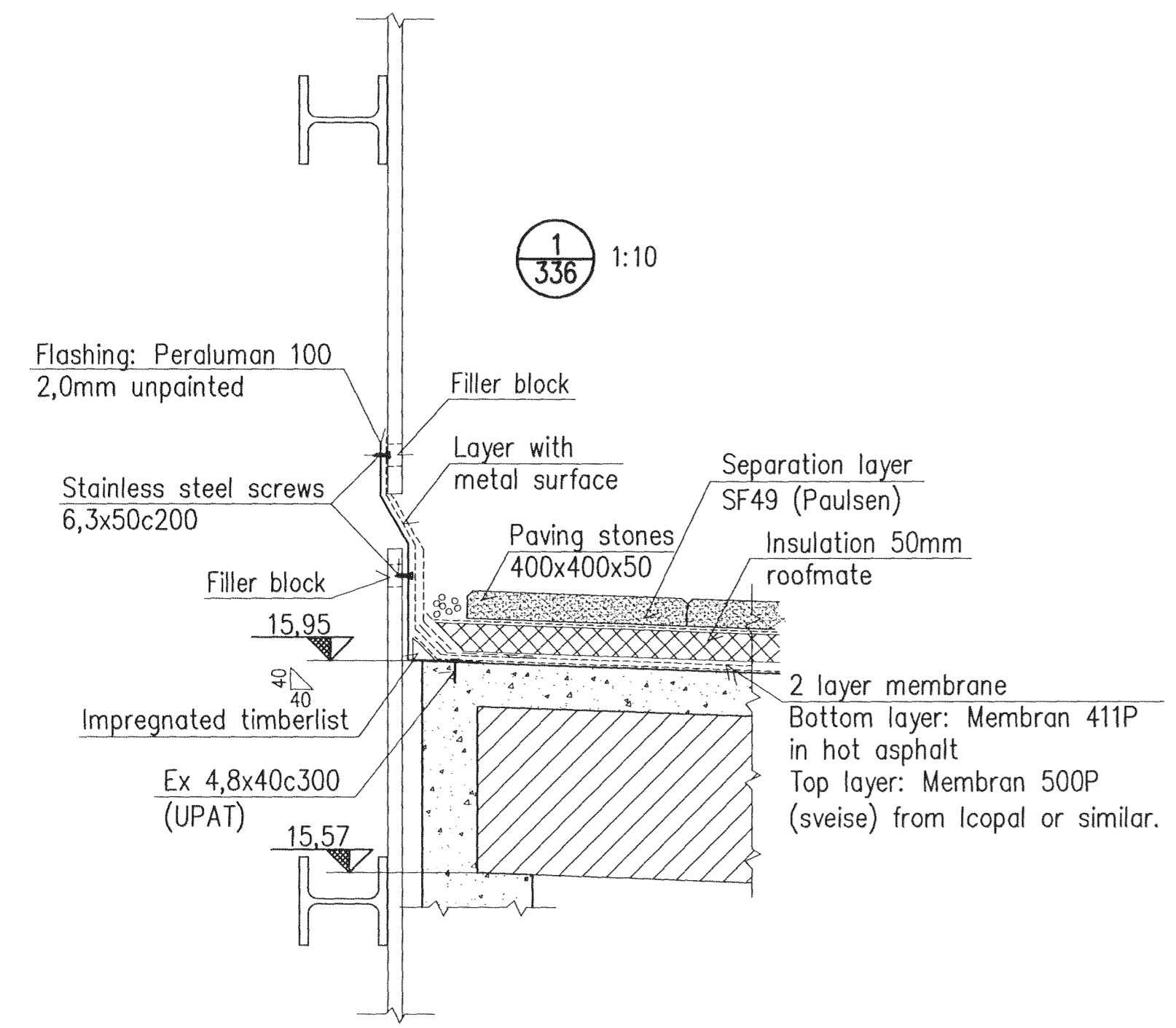


Níels Indriðsson
 NI 18444 3545



Skýringar:
 Legend:

Ólg nr / Rev no	Lýsing / Description	Dagsetning / Date	Man / Rtn / Des / Dwn	Yfir / Öd	Notk heim / Suppl Rel	Notk heim / ISAL Rel
1	Issue for construction	11.03.07	HS/LDB	MS	OS	

This drawing is the property of Rio Tinto Alcan Iceland Ltd. and handed out for personal use only. It may neither be copied nor made available to others without permission of Rio Tinto Alcan Iceland Ltd. The receiver is liable for any misuse.

Start: A1 Mkv: 1:10
 Formati: A1 Scale: 1:10
 Dimensions without tolerances according to ISO 2768-1 medium.



Dagsetning / Date	2011.03.07
Hannað / Designed	HS
Teikn / Drawn	LDB
Verktaki / Supplier	HRV
Teikn.nr.verktaka / Supplier drw.no.	IDP-410-CA-015-337
Samþykkt / Approved	NI
Yfir / Chkd	NI
Hluti af: / Part of:	

IPU410-RECTIFIER BUILDINGS	Flokkur nr.:	Blöð nr.:	Nasta bl.nr.:
B5/S2			
ROOF, SECTIONS	Kostn.nr.-Cno. /	Bén.nr.-Eqno	
BUILDING FITTOUT			
Rio Tinto Alcan	ISAL	Teikn.nr. ISAL /	Drw.no. of ISAL
	Alcan Iceland Ltd		Breyt./Rev.
	IS-222 Hafnarþingur		C
	Iceland		
	ISAL Yfirfarið og skrifað, dags / ISAL Checked, date		ISAL Samþykkt, dags / ISAL Approval, date