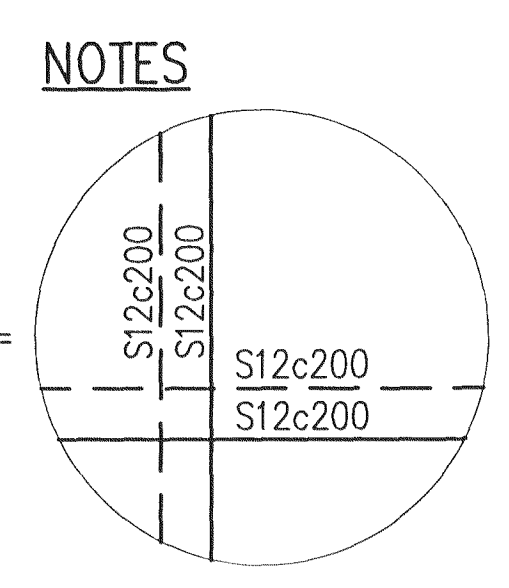
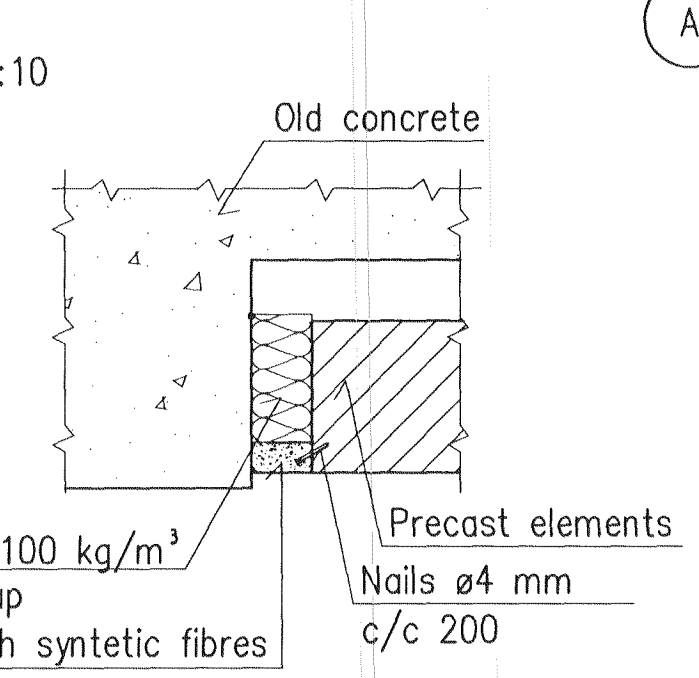
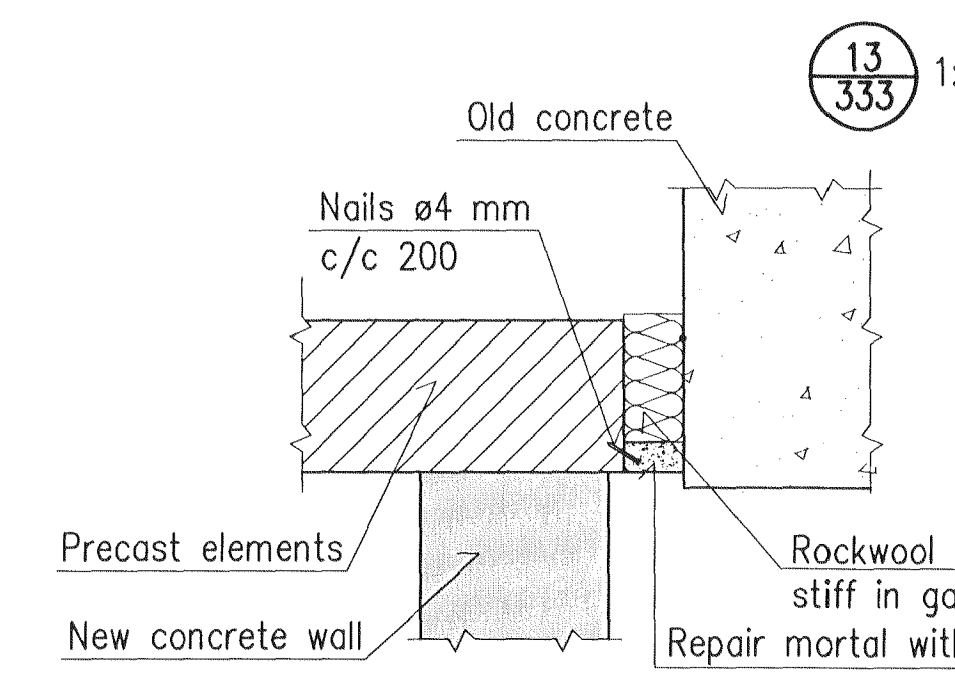
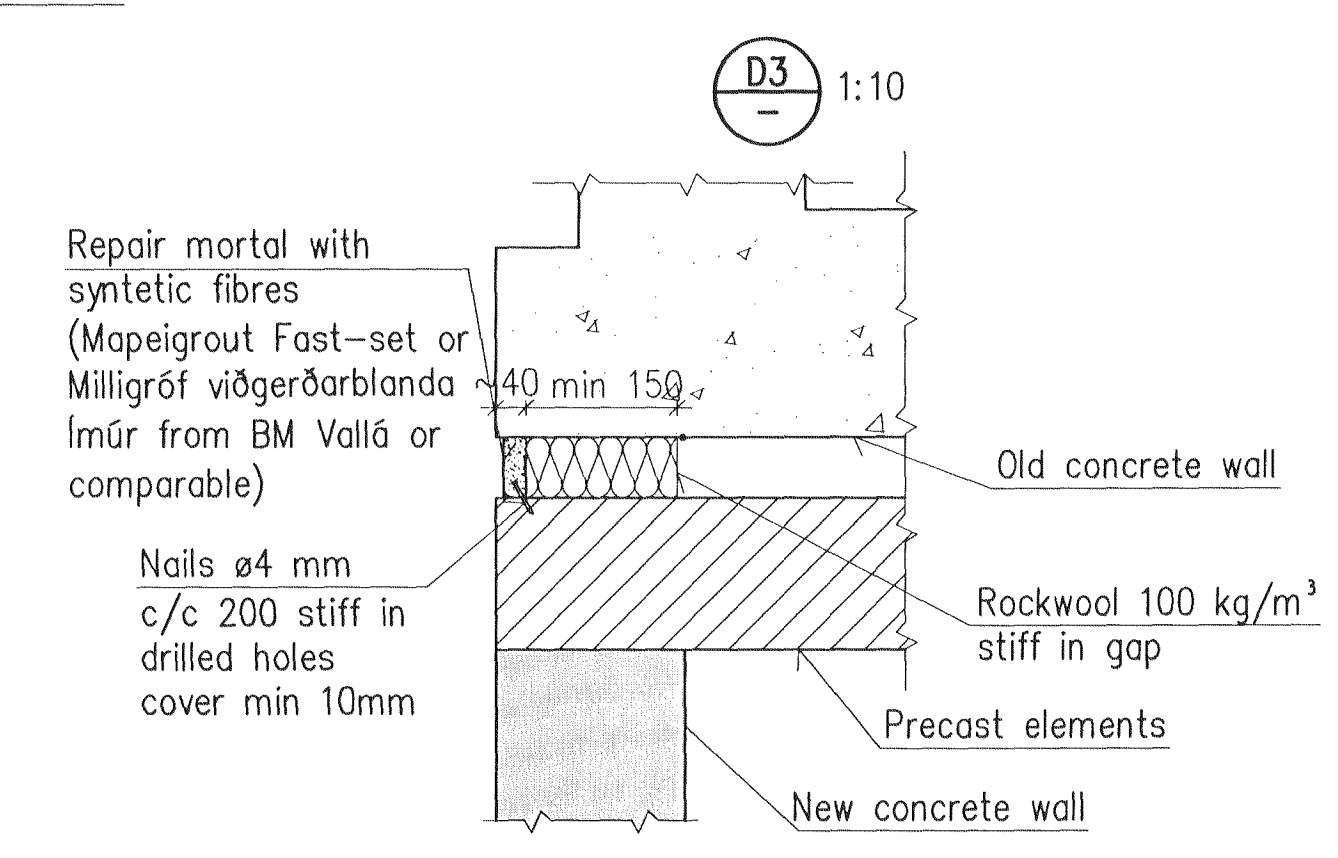
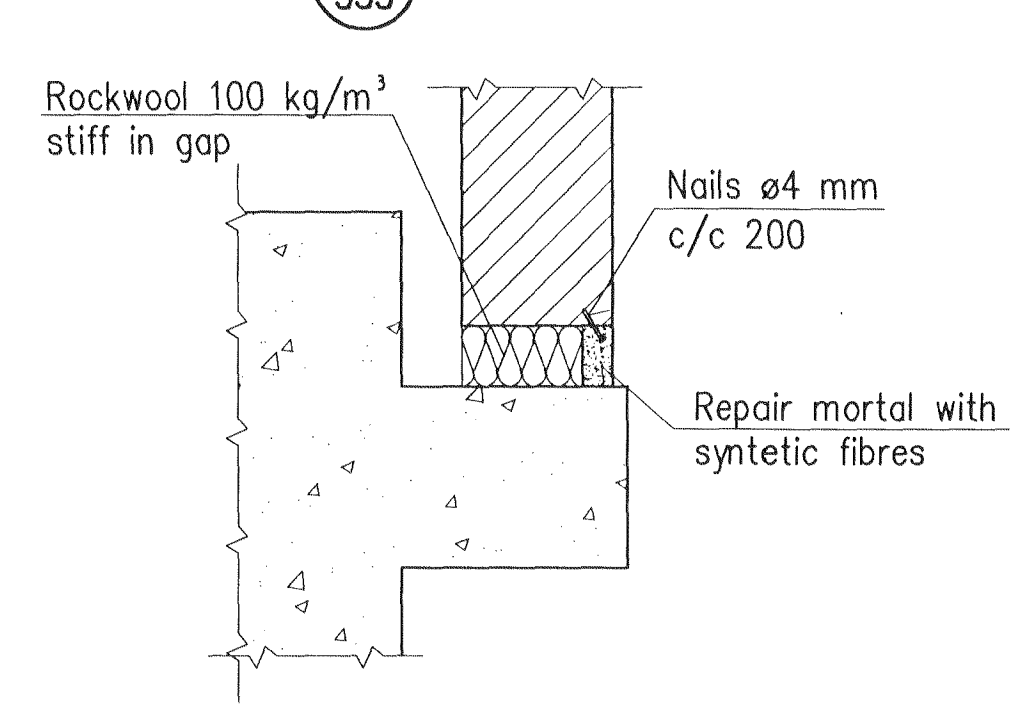
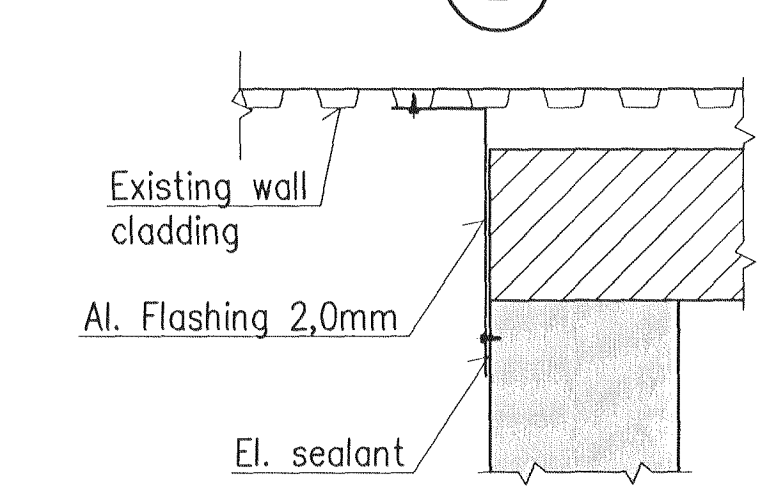
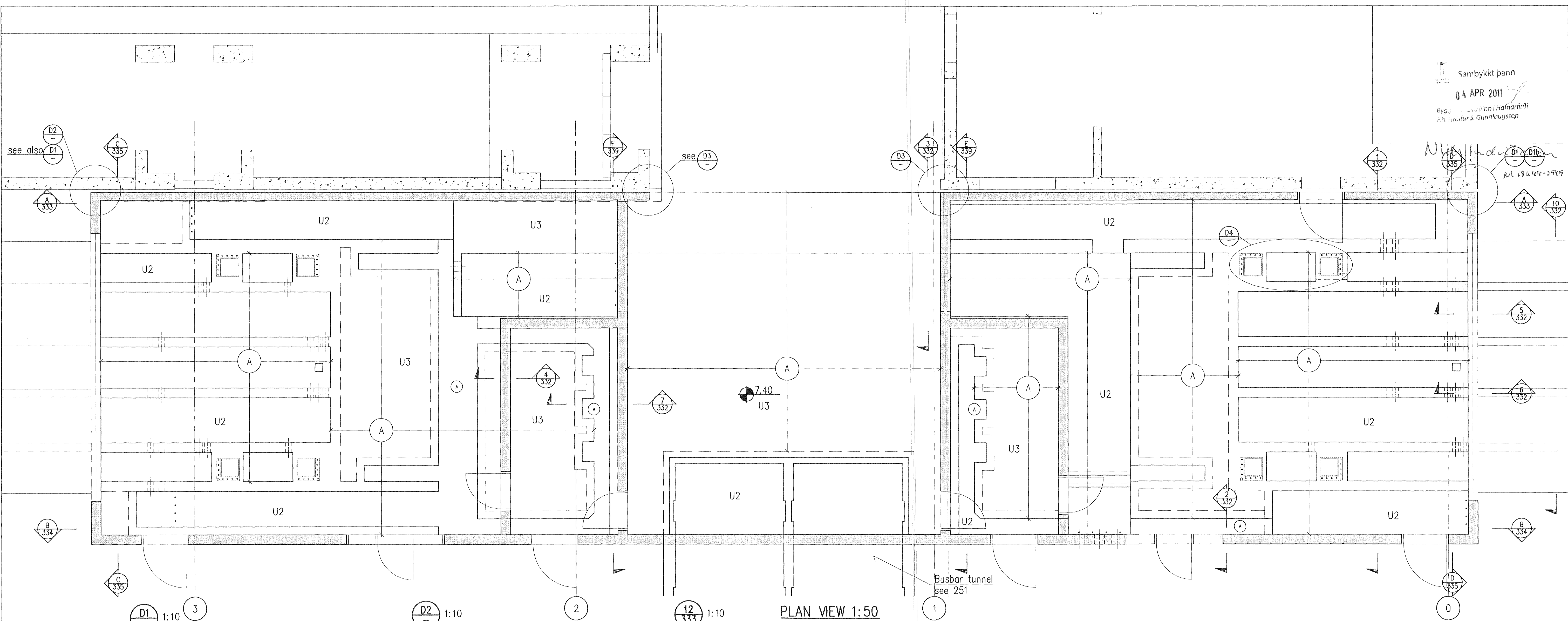
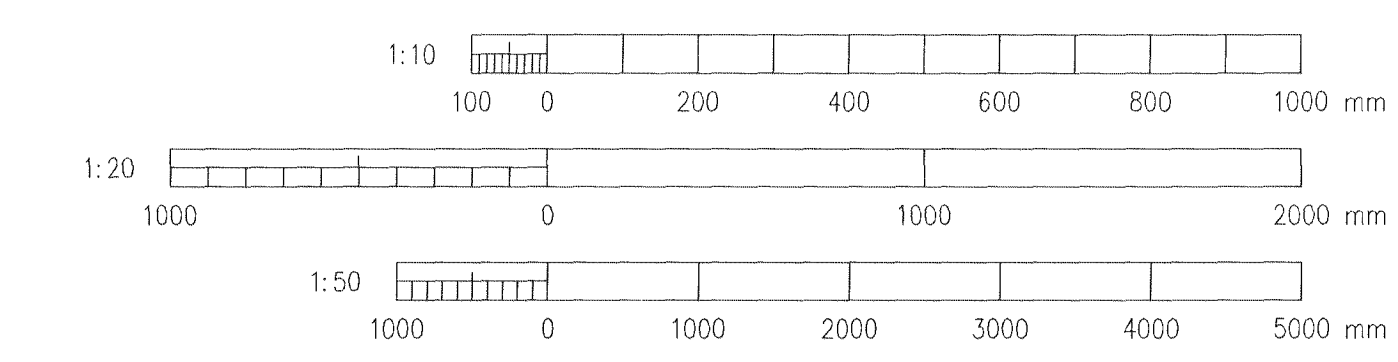
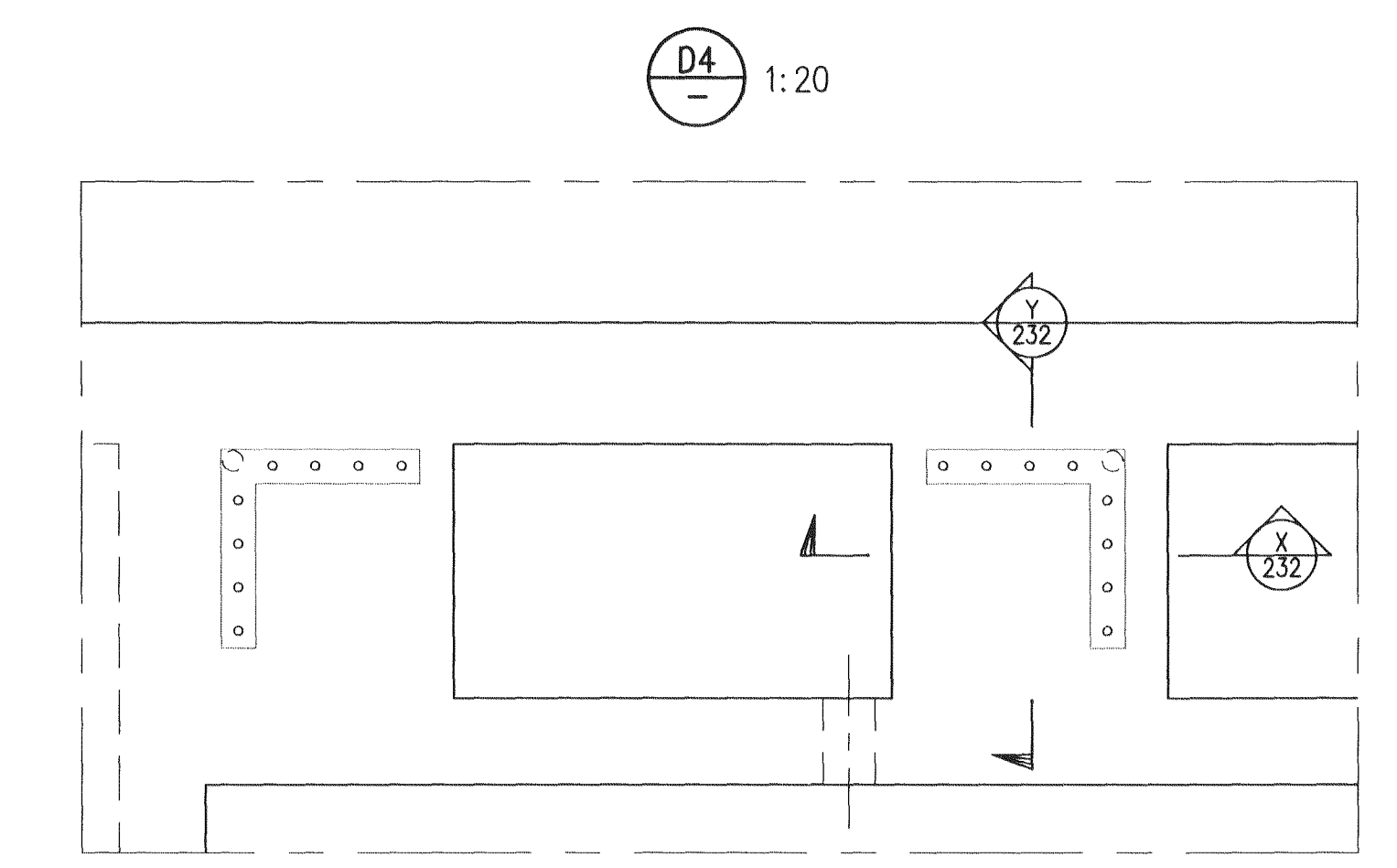


Samþykkt þann
04 APR 2011
Byggskiptingunni í Hafnarfrétti
F.H. Hrafnur S. Gunnlaugsson



NOTES



Skýringar: CONCRETE: C30/37:XF3-32

Legend:

Ólg nr / Rev no	Lýsing / Description	Dagsetning / Date	Hop/Þm / Des/Draw	Yfir / Chk	Notk heim / Suppl Rel	Notk heim ISAL Rel
1	Issue for construction	11.03.07	HS/LDB	NI	ÓS	

This drawing is the property of Rio Tinto Alcan Iceland Ltd. and handed out for personal use only. It may neither be copied nor made available to others without permission of Rio Tinto Alcan Iceland Ltd. The receiver is liable for any misuse.

Start: A1 Mkv: 1:10/20/50

Format: A1 Scale: 1:10/20/50

Dimensions without tolerances according to ISO 2768-1 medium.

--	--

Þagsetning / Date	2011.03.07
Hannað / Designed	HS
Teikn / Drawn	LDB
Verktaki / Supplier	HRV
Teikn.nr. verktaka / Supplier drwno.	IDP-410-CA-015-331
Samþykkt / Approved	Yfir / Chkd NI
Hluti af / Part of:	

IPU410-RECTIFIER BUILDINGS	Flokkur nr.:	Blað nr.:	Nasta bl. nr.:
B5/S2			
PLAN VIEW	Kostn.nr.-Cno. / Bónnr.-Eqno		
REINFORCEMENT	AKS		
RioTinto Alcan	ISAL	Teikn.nr. ISAL / Drawn of ISAL	Breyt./Rev.
	ISAL Iceland Ltd		C
	Straumsvík		
	IS-222 Hafnarforður		
	Iceland		
	ISAL Yfirfarð og skráð, dags / ISAL Checked, date		
	ISAL Samþykkt, dags / ISAL Approved, date		