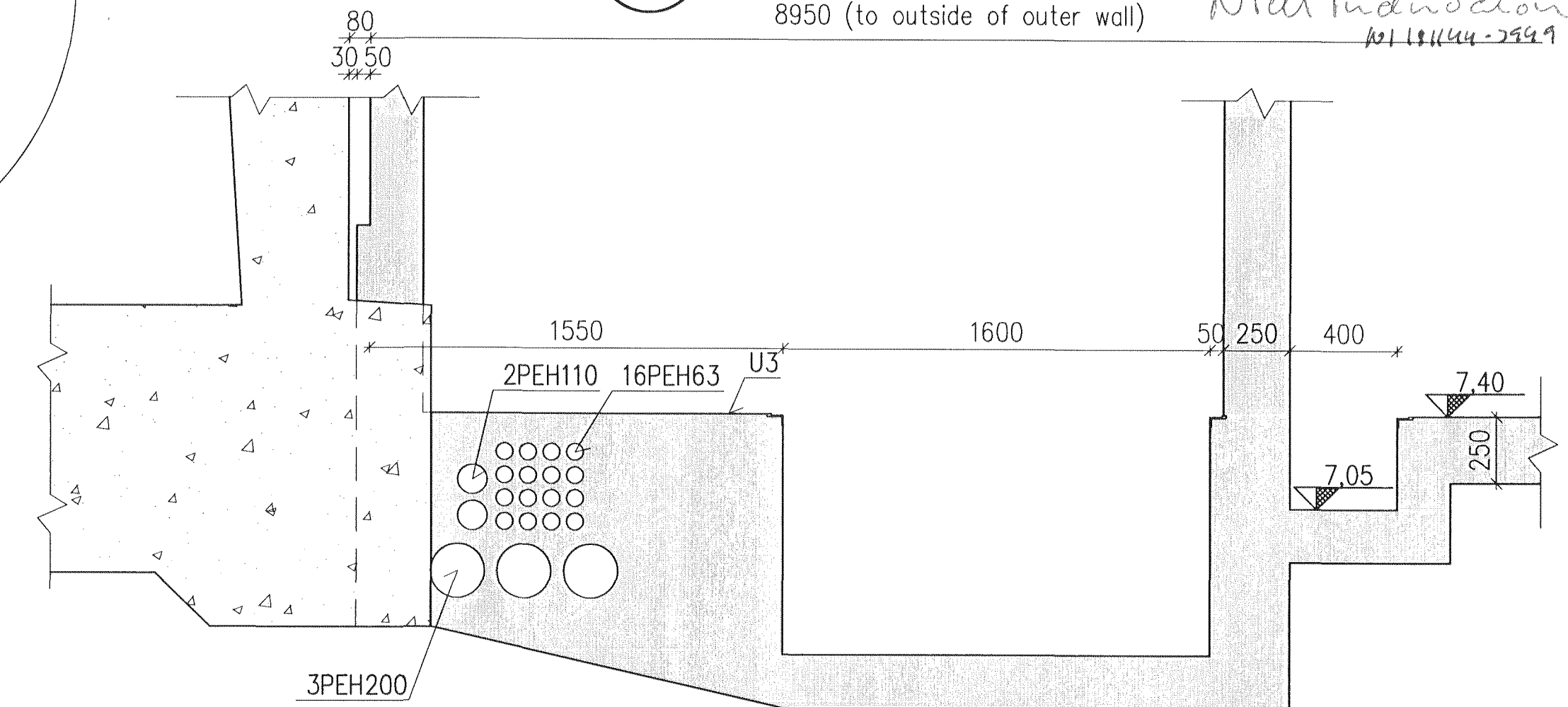
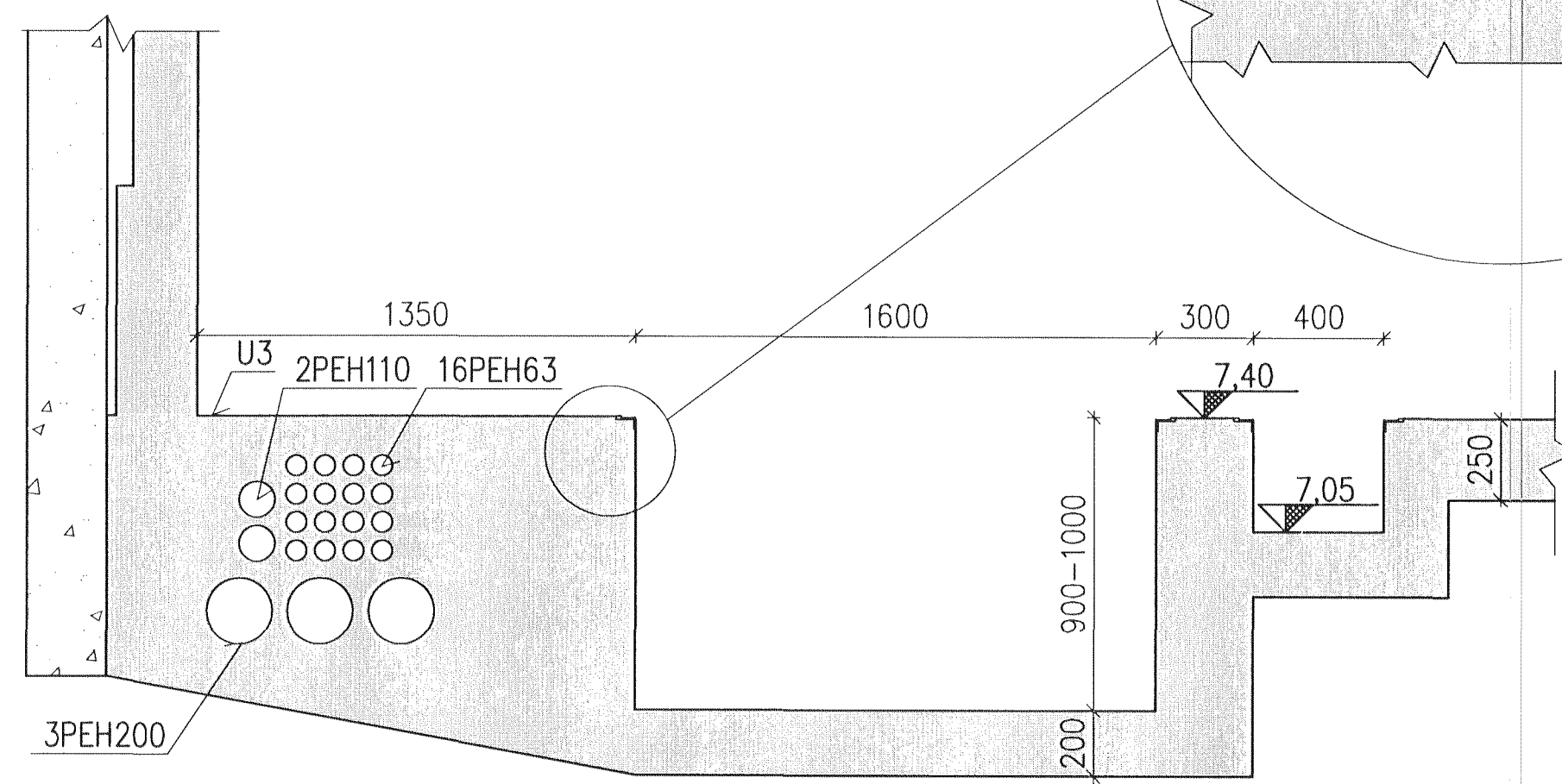
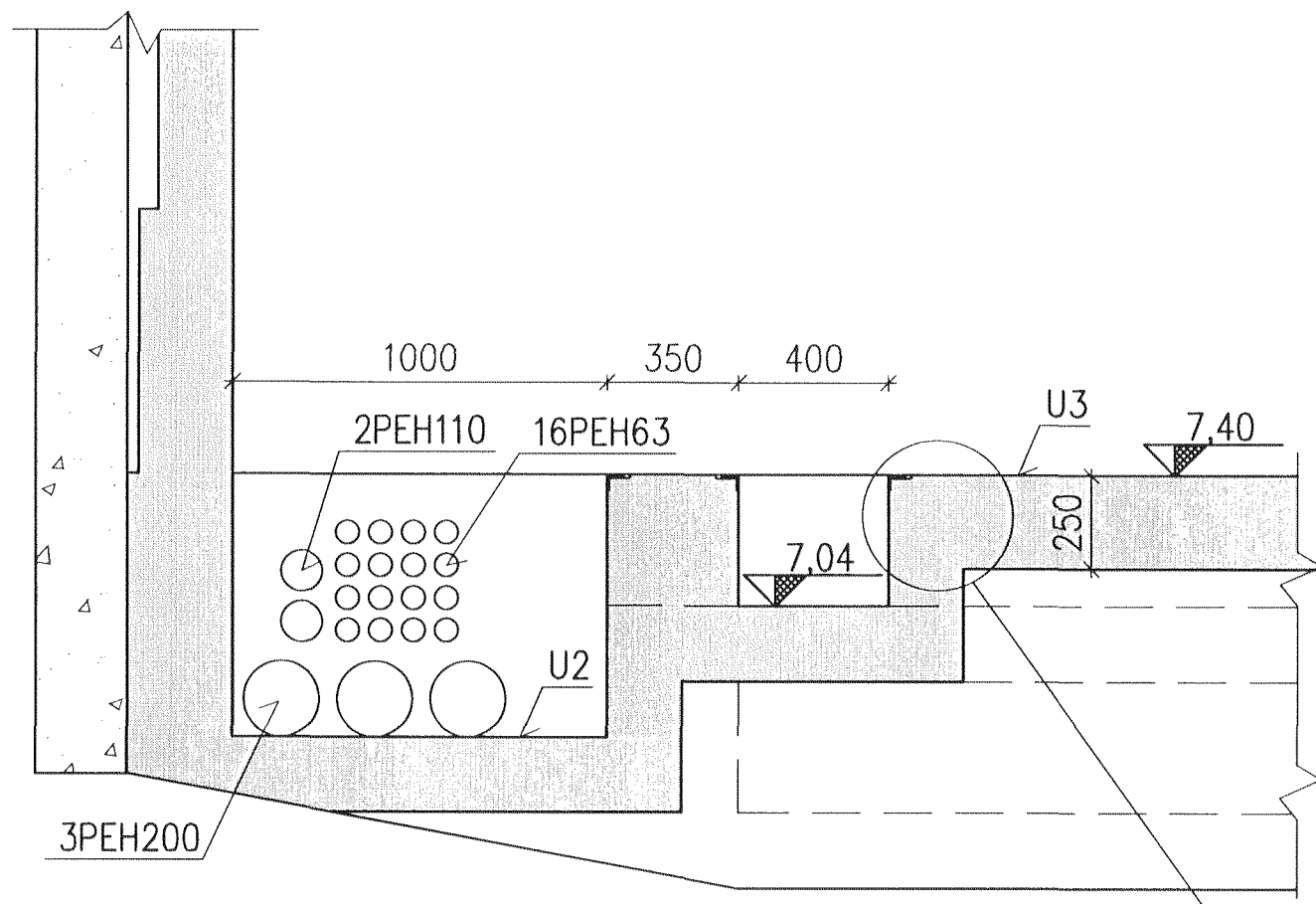


Níel Indriðsson  
 891 11144-2599

1 SECTION  
 324

2 SECTION  
 324

3 SECTION  
 324

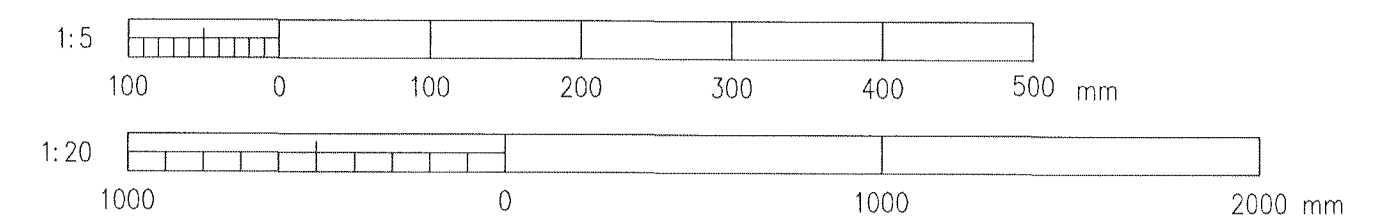
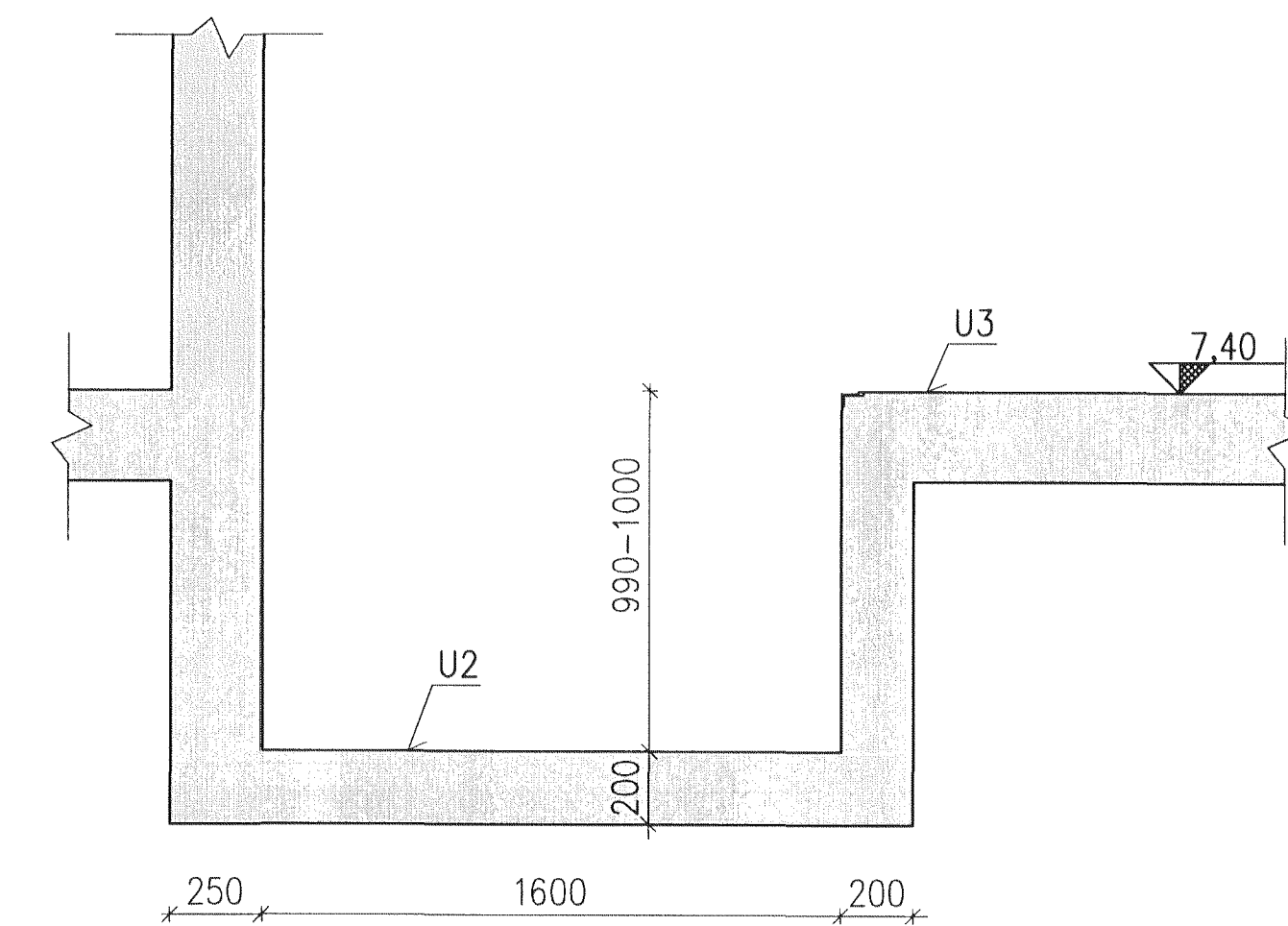
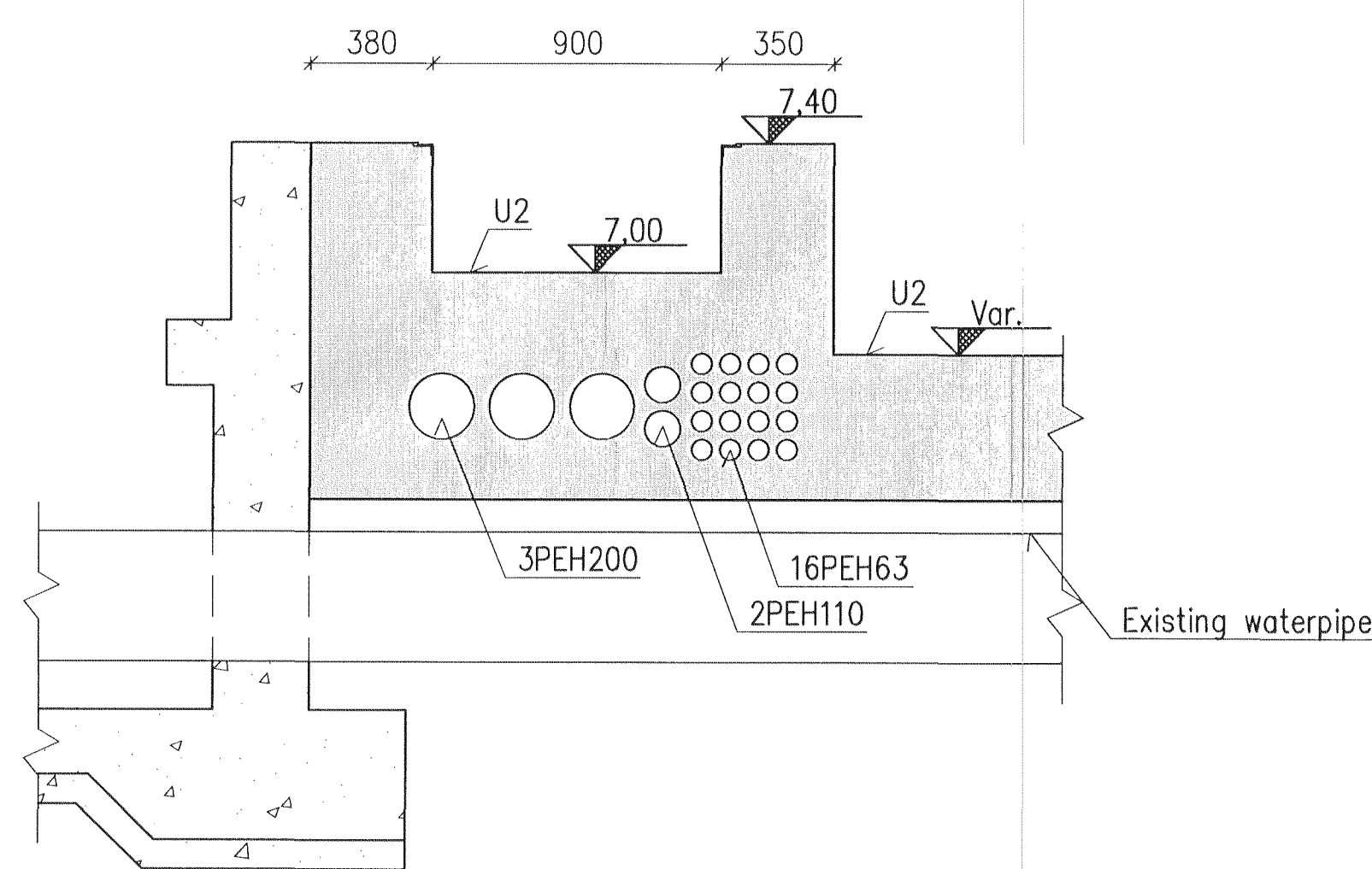
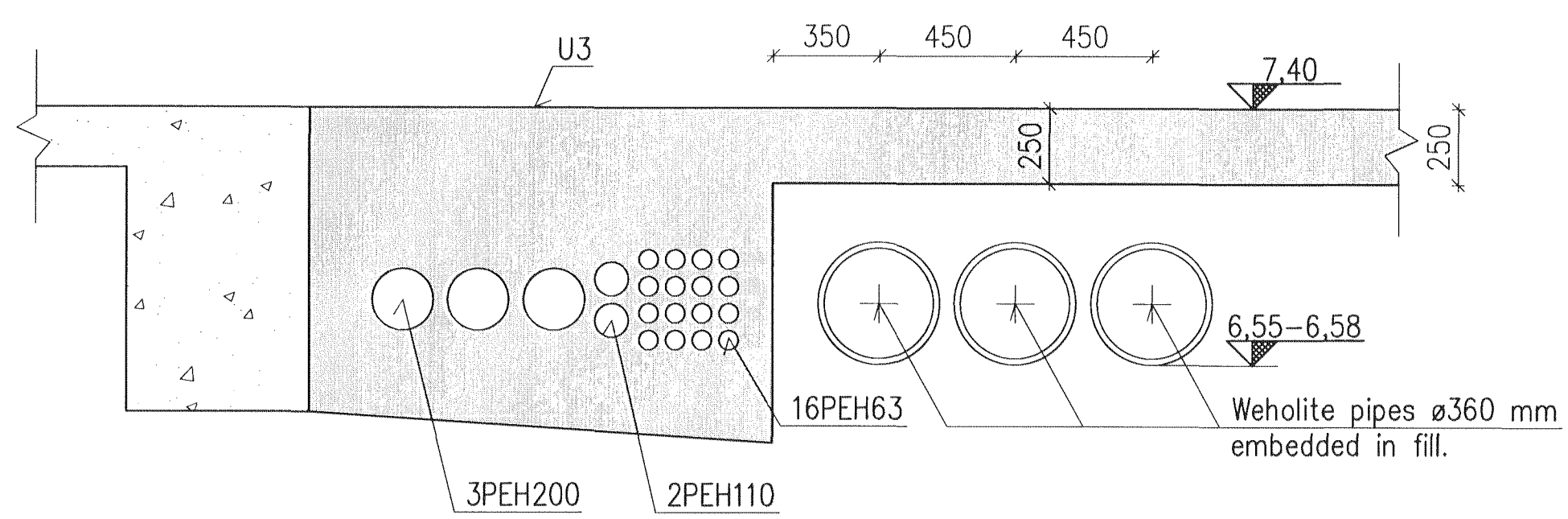
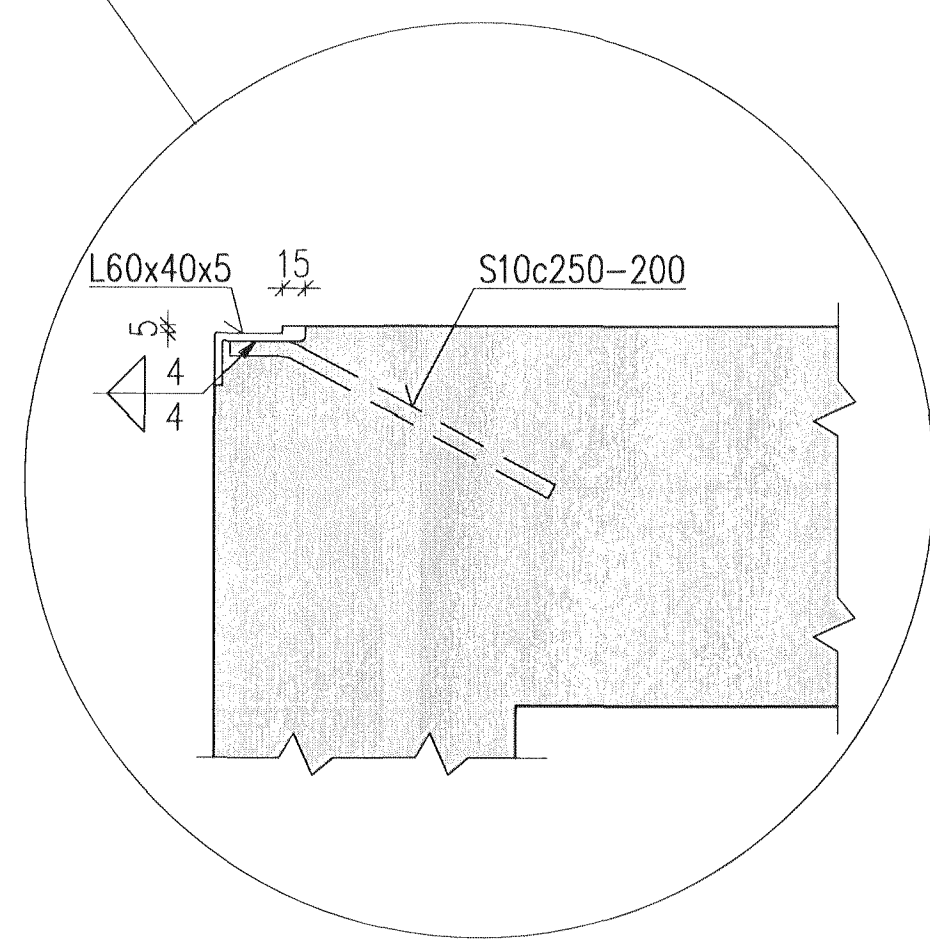


1:5

4 SECTION  
 324

5 SECTION  
 324

6 SECTION  
 324



Skýringar:  
 Legend:

This drawing is the property of Rio Tinto Alcan Iceland Ltd. and handed out for personal use only. It may neither be copied nor made available to others without permission of Rio Tinto Alcan Iceland Ltd. The receiver is liable for any misuse.



Dagsetning / Date: 2011.03.07  
 Hannað / Designed: HS  
 Teikn / Drawn: LDB  
 Verktaki / Supplier: HRV  
 Teikn.nr.verktaka / Supplier drw.no: IDP-410-CA-015-329  
 Samþykkt / Approved: NI  
 Yfir / Chkd: NI  
 Húti of: / Part of:

IPU410-RECTIFIER BUILDINGS  
 B5/S2  
 SECTIONS 1-6  
 FORM WORK  
 RioTinto Alcan  
 ISAL  
 ISAL Teikn.nr. ISAL / Drw.no. of ISAL: Breyt./Rev.: C  
 ISAL Yfirfarð og skröð, dags / ISAL Checked, date: ISAL Samþykkt, dags / ISAL Approval, date

Útg. nr / Rev. no	Lýsing / Description	Dagsetning / Date	Han / An / Desy / Draw	Yfir / Chkd	Notk / Used	Notk / Used	Notk / Used
1	Issue for construction	11.03.07	HS/LDB	NI	OS		