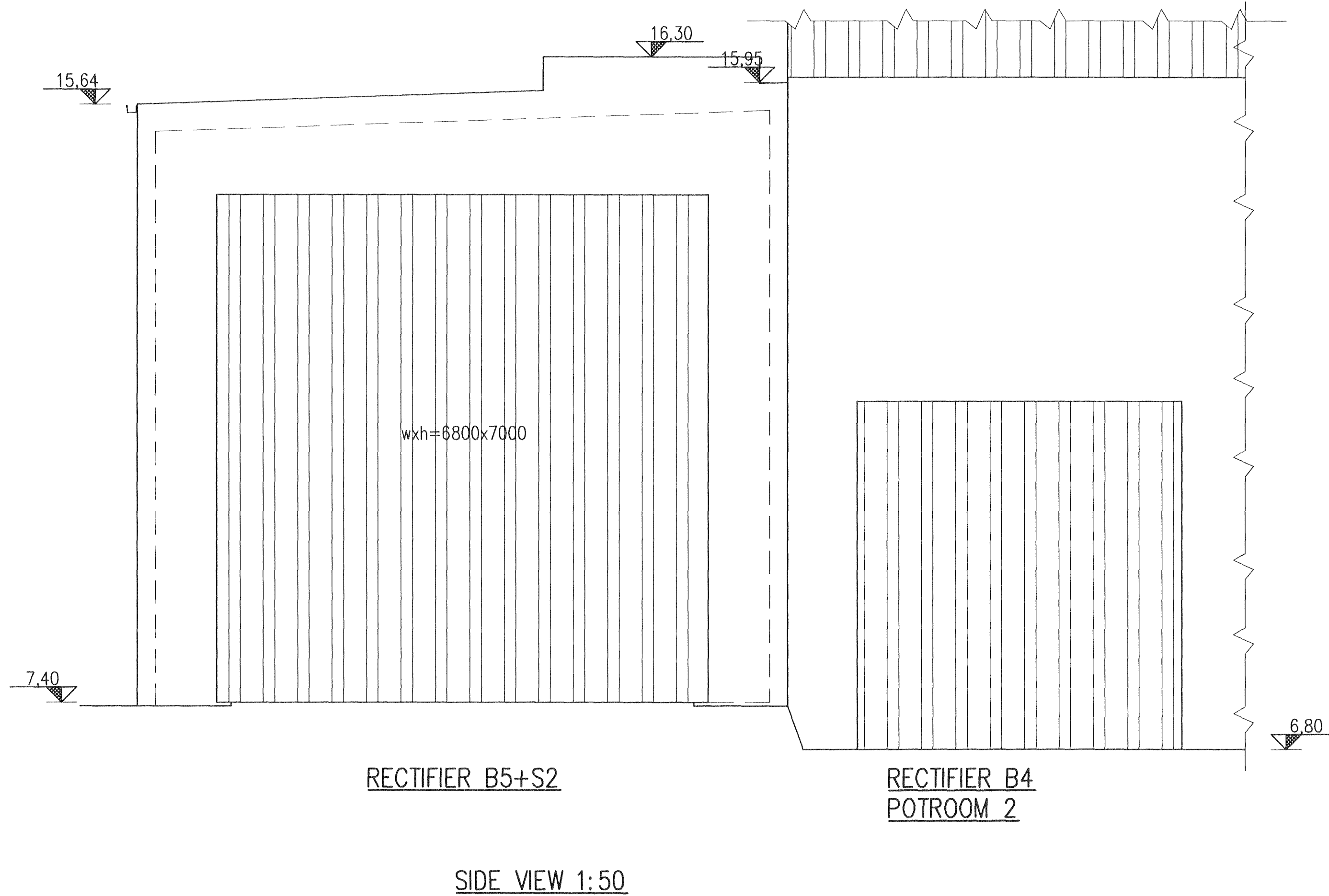
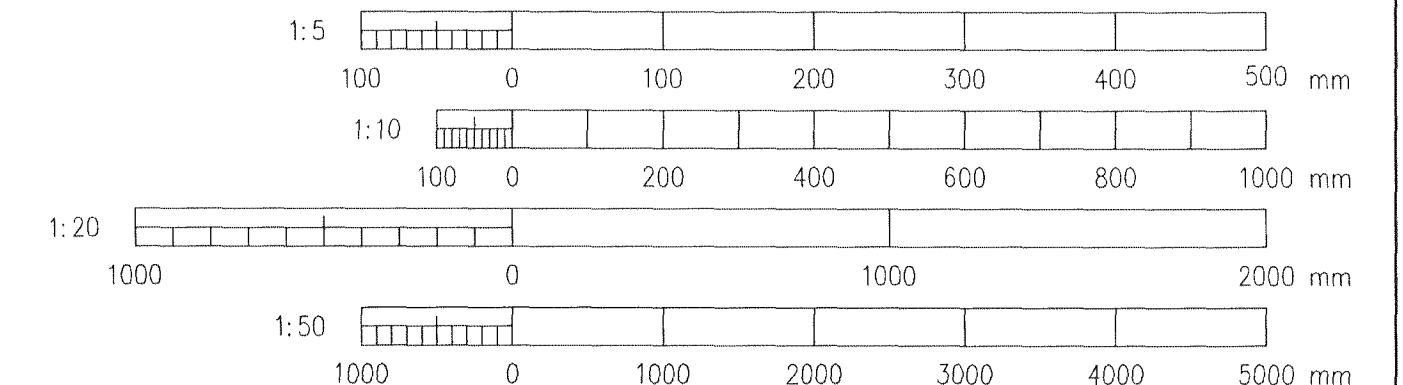
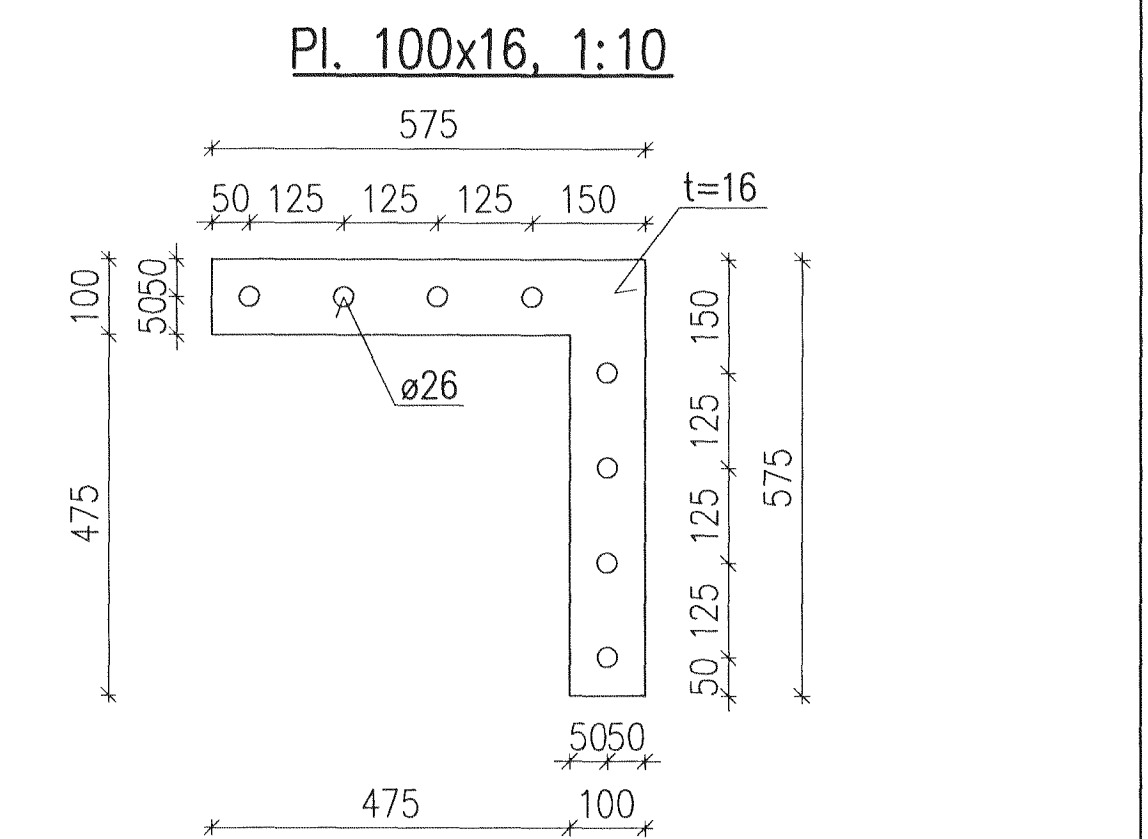
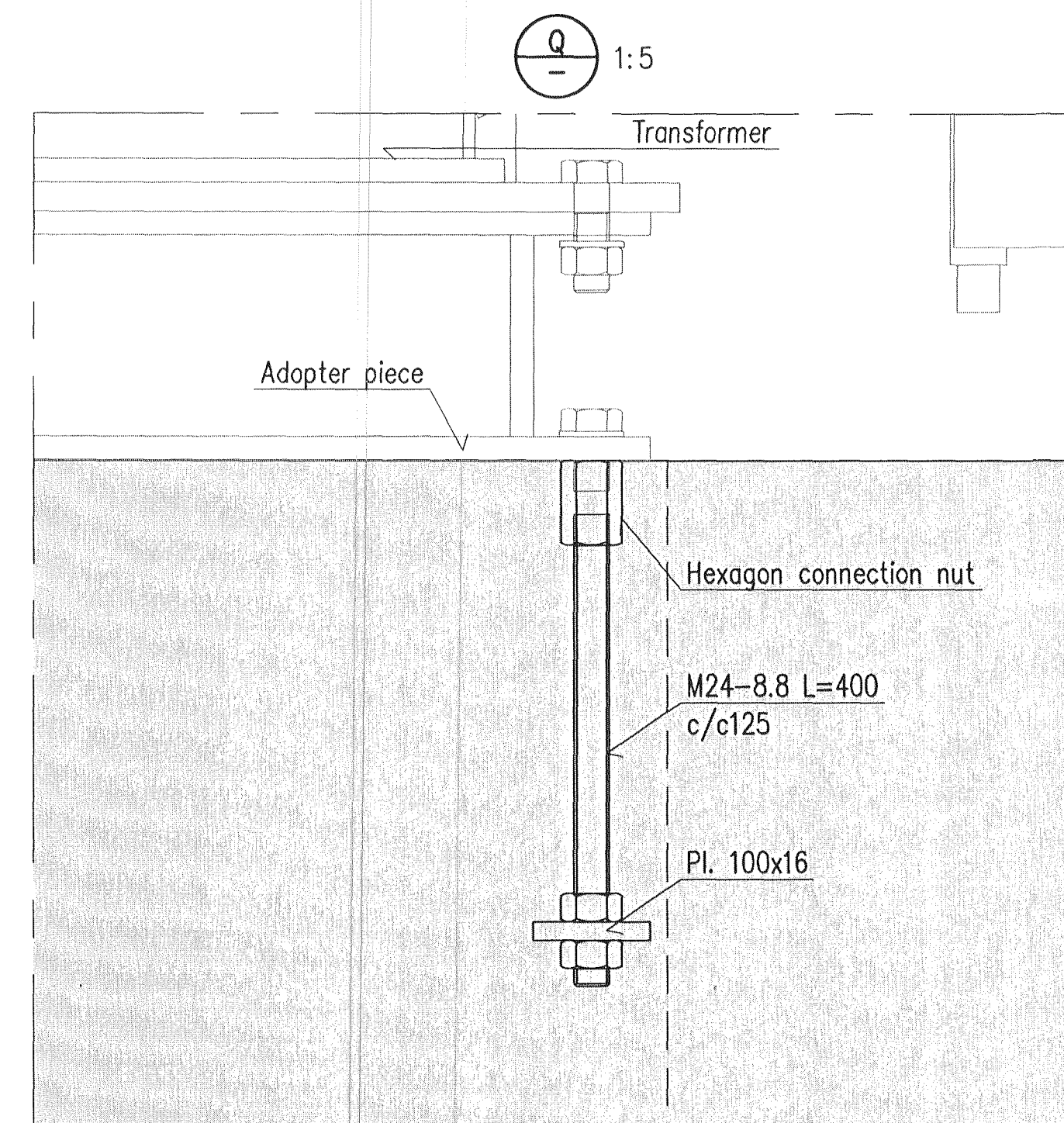
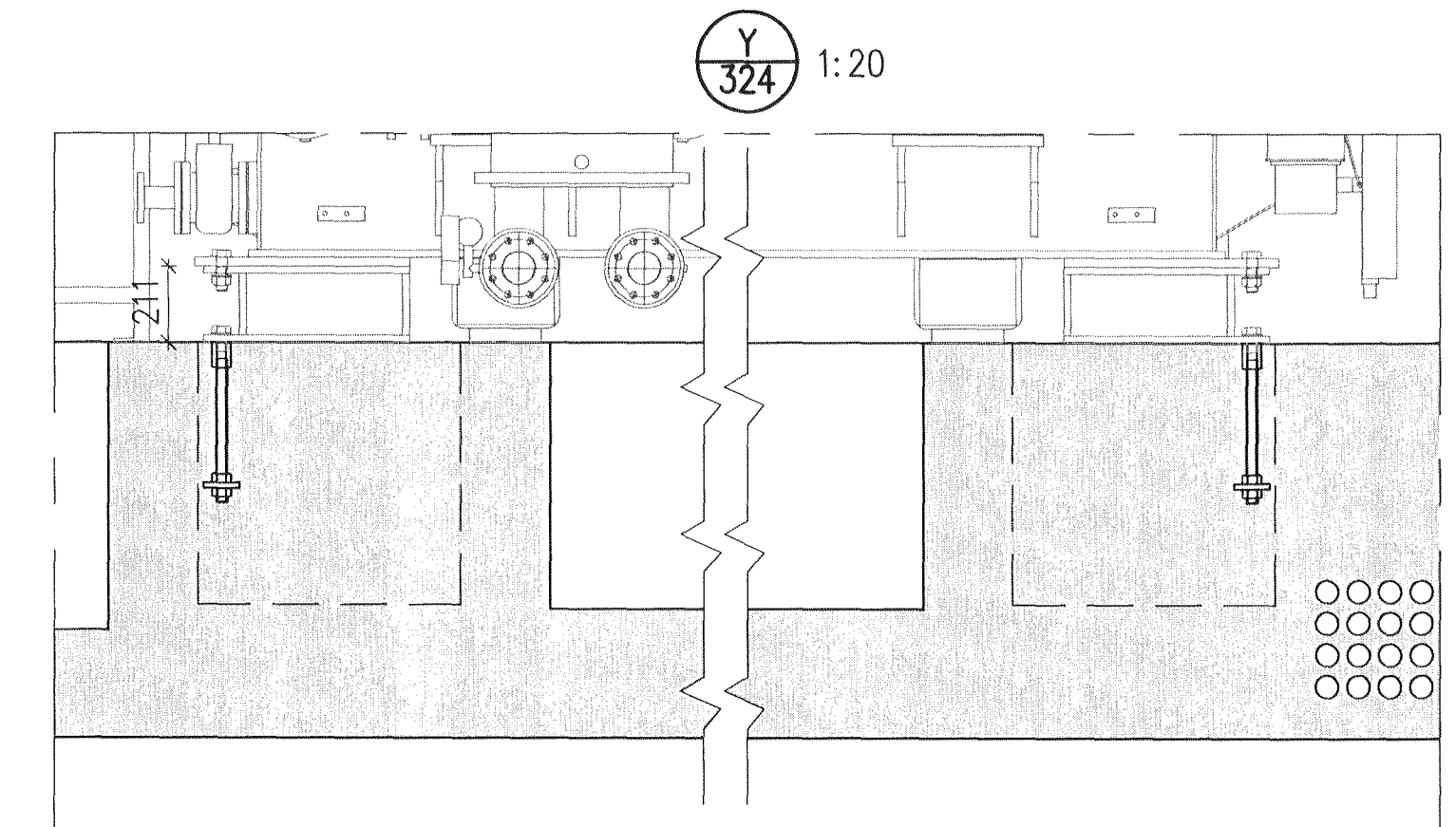
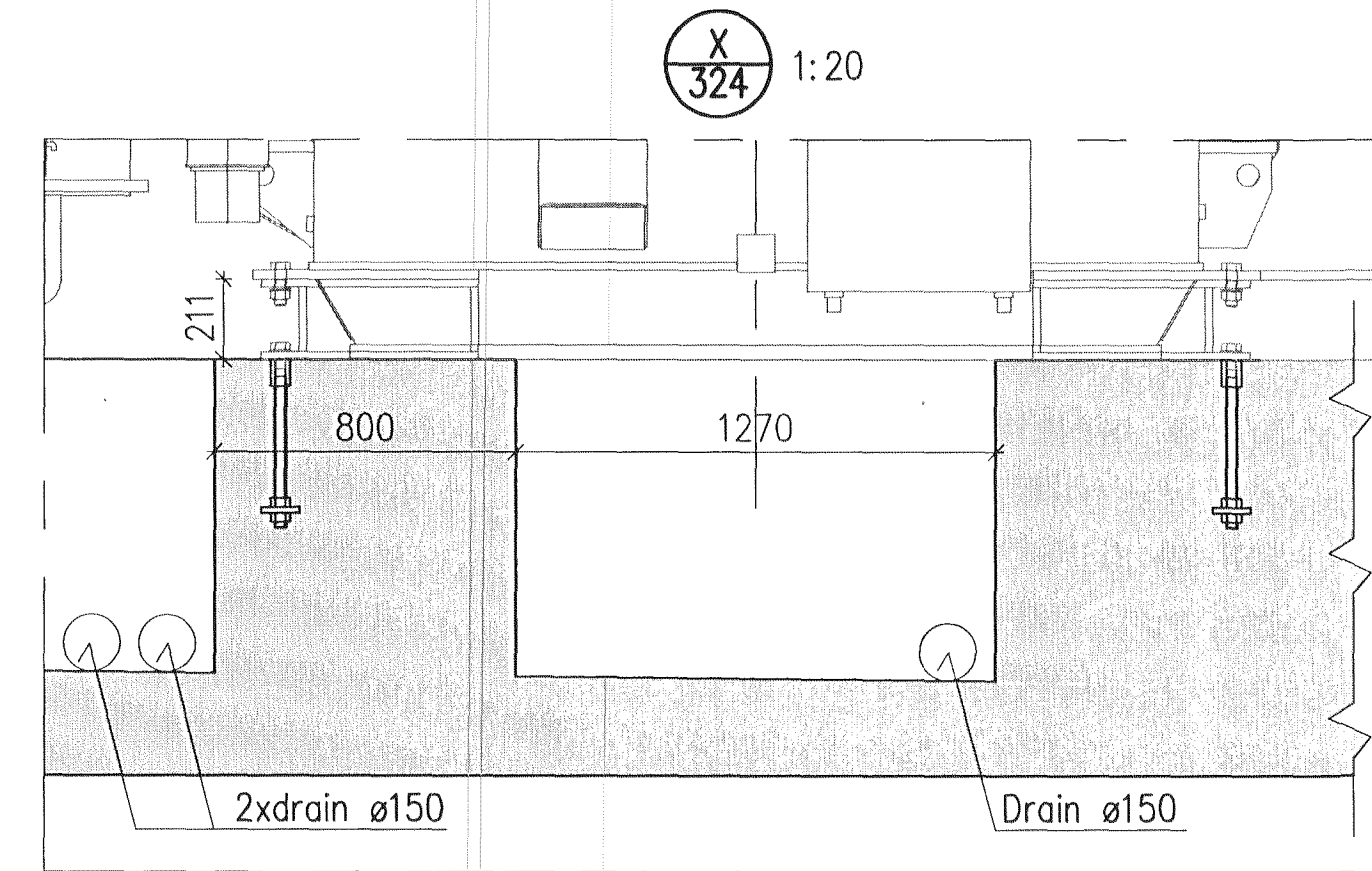
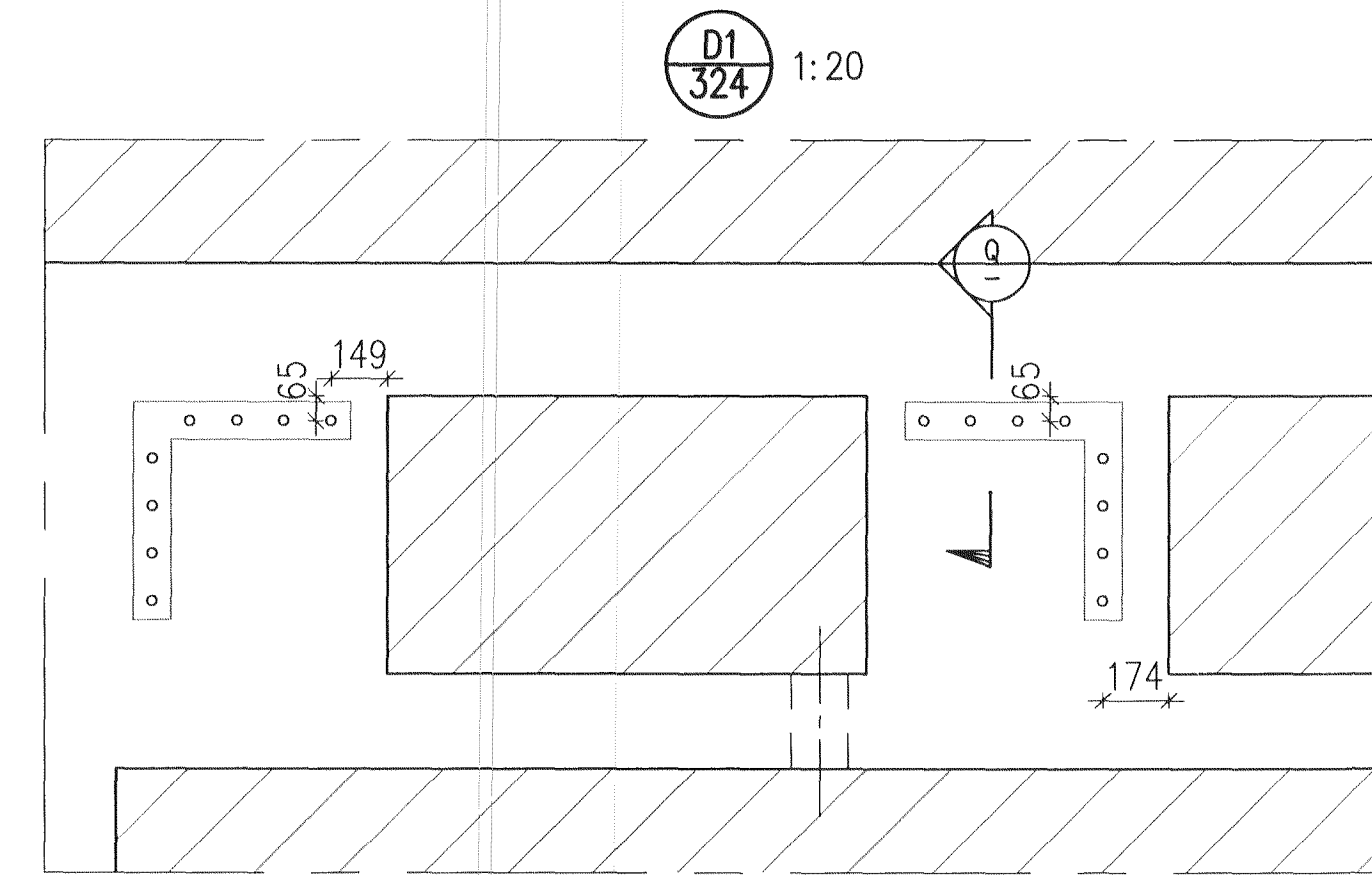


Samþykkt þann  
 04 APR 2011  
 Byggingafráttákn / Höfnarfríði  
 F.h. Hrafnur S. Gunnlaugsson

Nick Indriðsson  
 N: 19444 3449



SIDE VIEW 1:50

Skýringar: Legend:						This drawing is the property of Rio Tinto Alcan Iceland Ltd. and handed out for personal use only. It may neither be copied nor made available to others without permission of Rio Tinto Alcan Iceland Ltd. The receiver is liable for any misuse. Scale: 1:5/10/20/50 Dimensions without tolerances according to ISO 2768-1 medium.	<b>HRV</b> ENGINEERING	Dagsetning / Date 2011.03.07		IPU410-RECTIFIER BUILDINGS B5/S2		Flokkur nr.: Blað nr.: Nasta bl.nr.:
	Hönnuð / Designed HS		Teikn / Drawn LDB		Verktaki / Supplier HRV			Teg. teikningar / Draw. type: FORM WORK		ISAL Alcan Iceland Ltd. Straumsvík IS-222 Hálfarörður Ísland		Tekn.nr. ISAL / Draw.no. of ISAL Breyt./Rev. C
1 Issue for construction		Dagssetning Date 11.03.07	Hor./In. Des/Draw HS/LDB	Yfir Ord NI	Notk. heim. Suppl. Rel. ÓS	Notk. heim. ISAL Rel.	Tekn.nr./verktaki / Supplier draw.no. IDP-410-CA-015-326		Yfir / Chkd NI		ISAL Yfirfrátt og skráð, dags / ISAL Checked, date ISAL Samþykkt, dags / ISAL Approved, date	