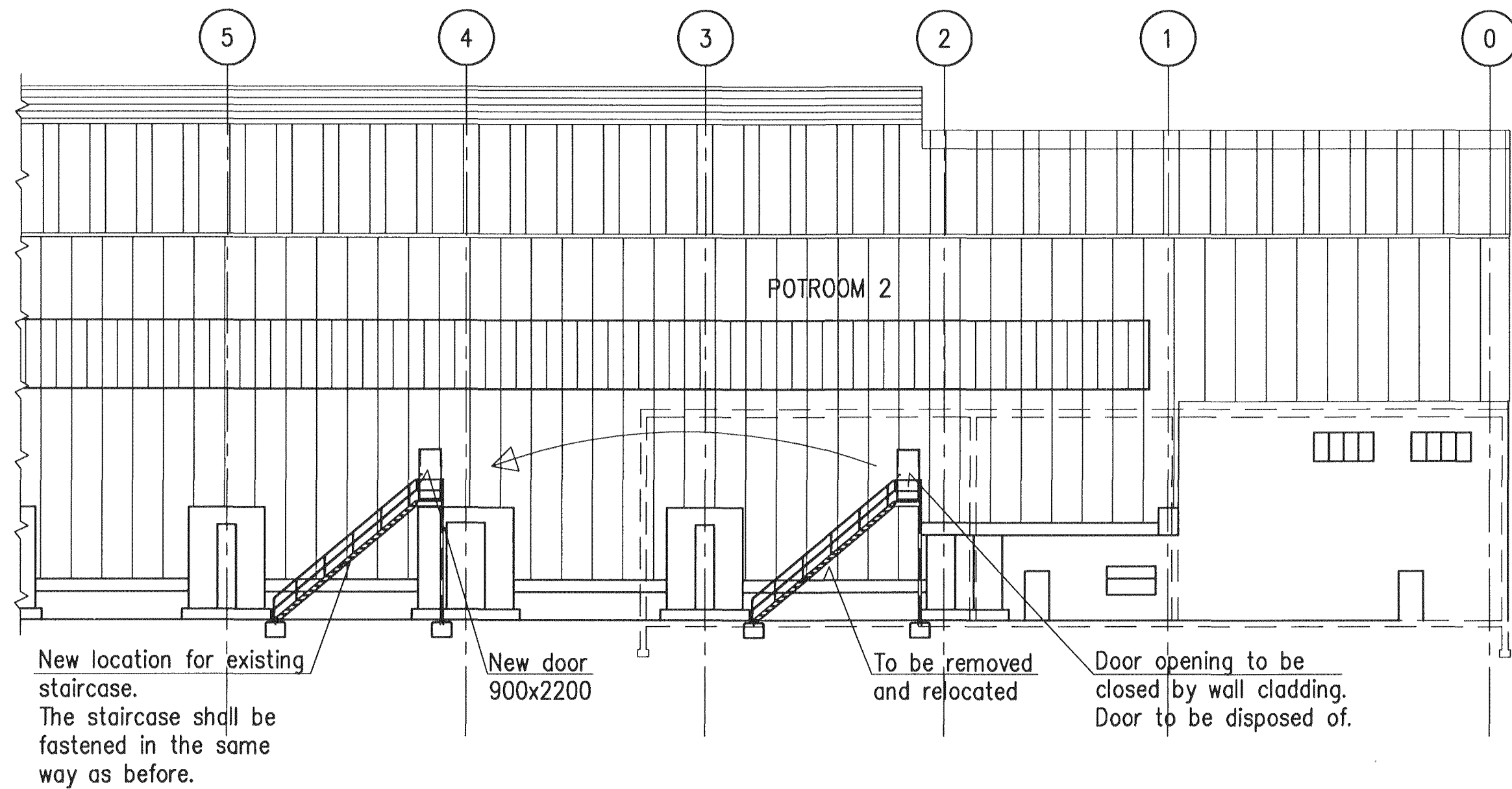
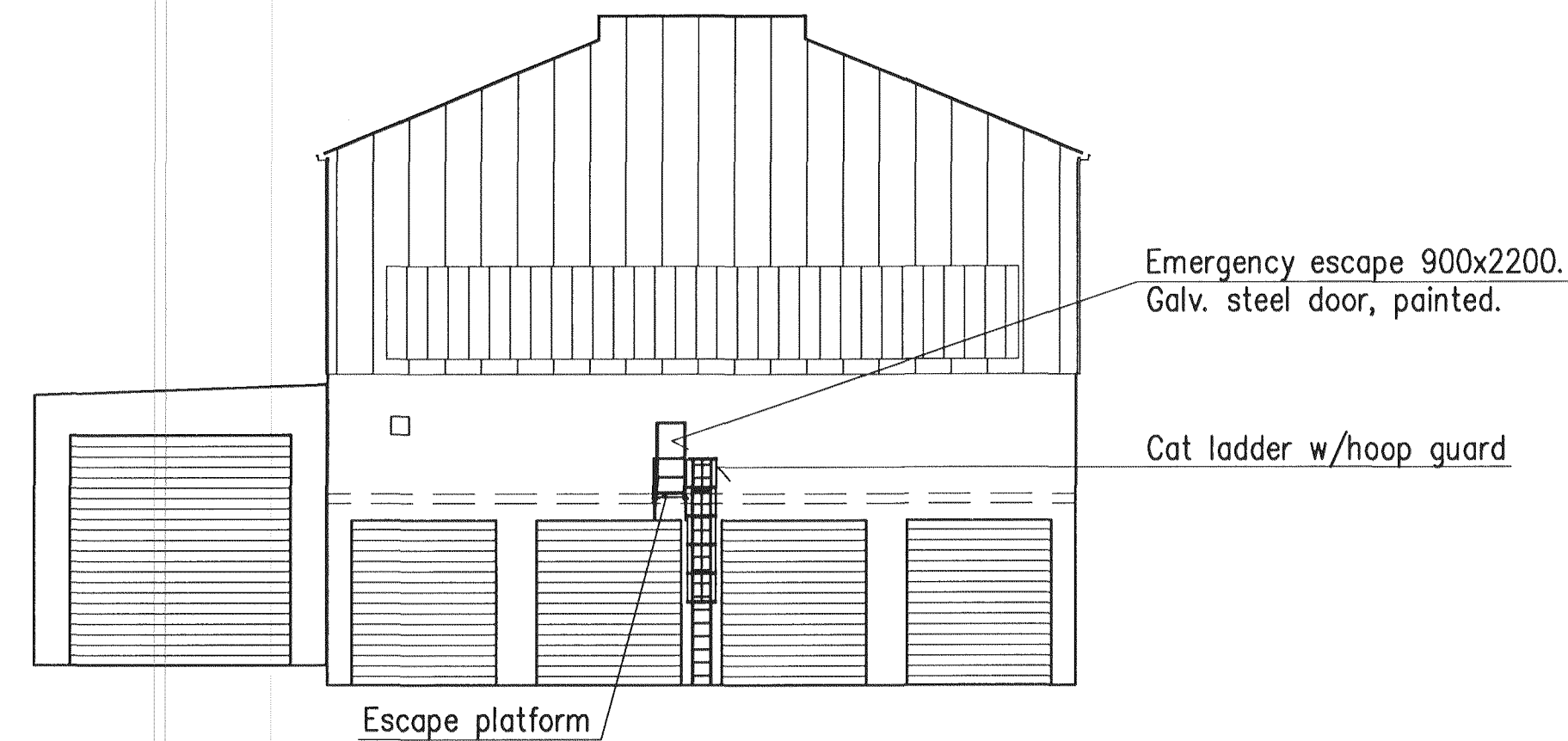


EXISTING STAIRCASE – SOUTH SIDE VIEW, 1:200



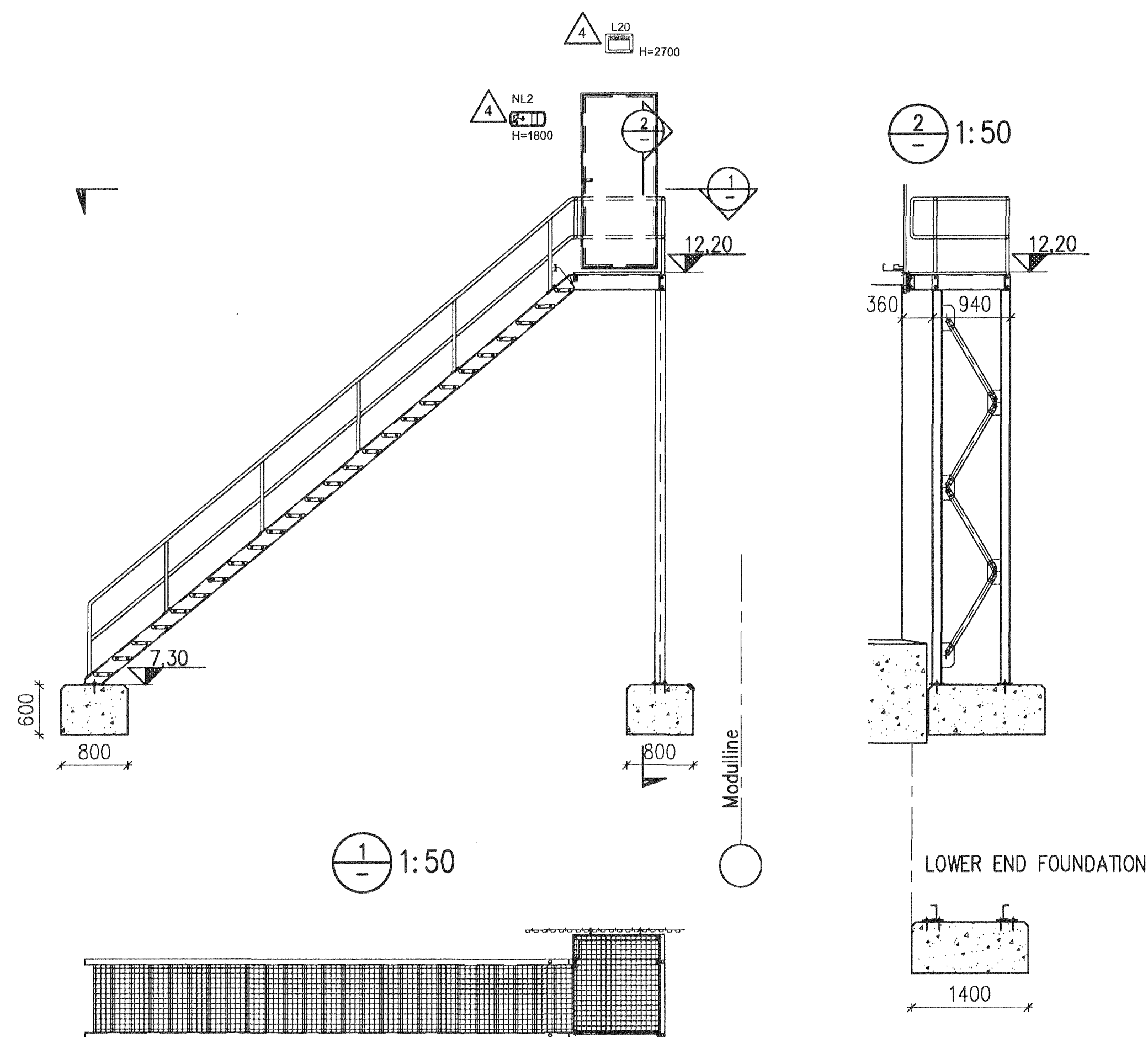
NEW LOCATION OF STAIRCASE – EAST GABLE VIEW, 1:200



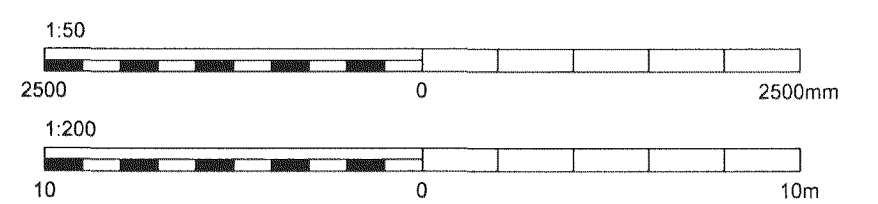
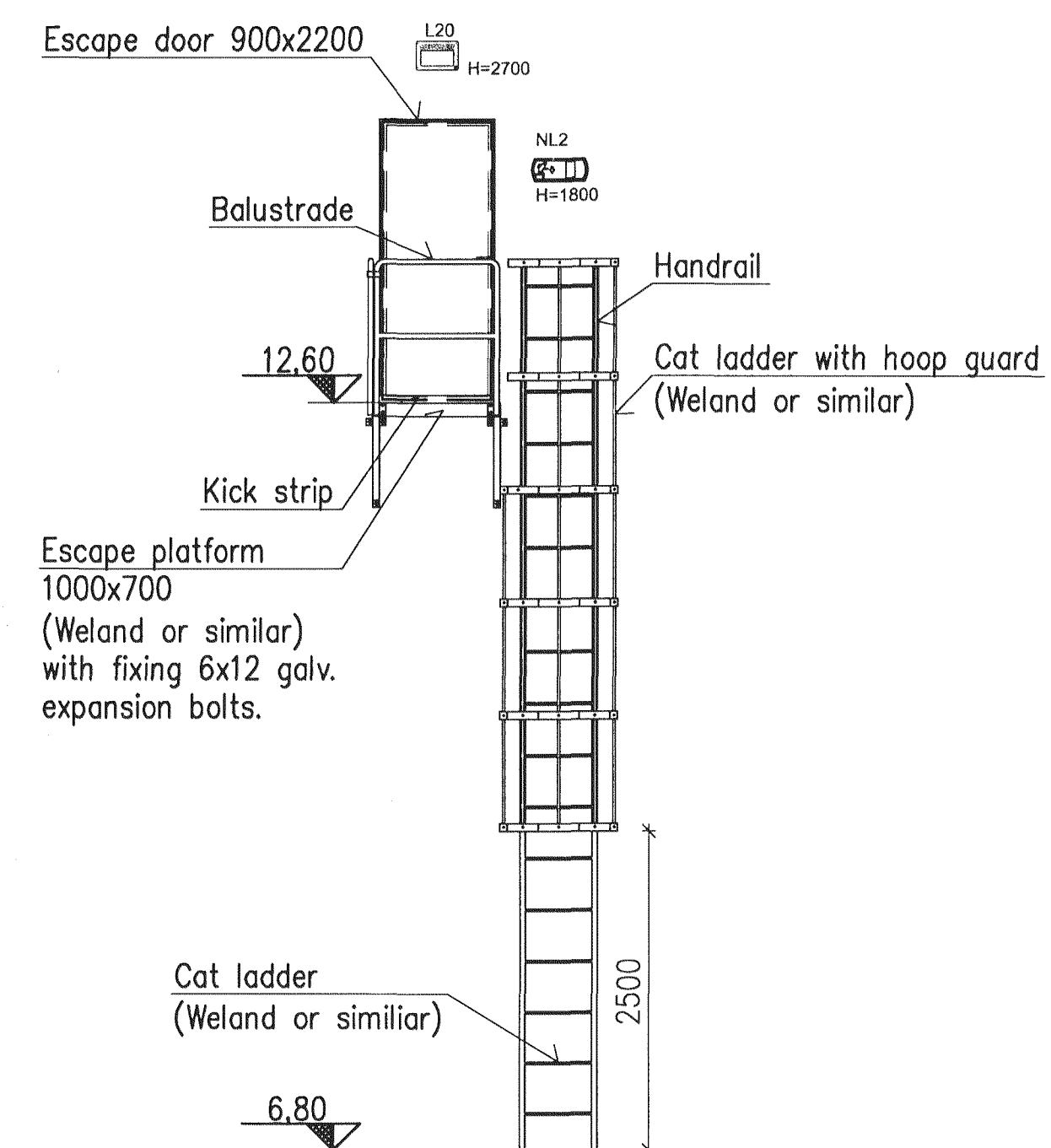
Samþykkt þann
04 JUL 2011
Byggingarfræðingur / Hafnarfróði
E.Þ. Friðriksson S. Gunnlaugsson

Níel Indriðsson
16.10.11 14:54

EXTERNAL STAIRCASE AND DOOR, 1:50



EMERGENCY ESCAPE LADDER AND DOOR, 1:50



Skýringar:
Legend:

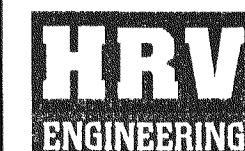
L20
THORLUX PASSLIGHT PL 6281, 70W SON/E 230V 50HZ
WALL MOUNTED LUMINARIES WITH DOWNWARD
LIGHT DISTRIBUTION. ALUMINUM BODY IP65
AND POLYCARBONATE COVER.

NL2
EMERGENCY LIGHT SELFCONTAINED
EMERGENCY LUMINARIES 8W 230V 50HZ
BATTERY UNIT FOR NONE MAINTAINED MADE 3 HOURS.

Glg. nr. Rev. no.	Lýsing Description	Dagsetning Date	Hor./Tín Des./Drw.	Yfirf. Ckd.	Notk. heim Suppl. Rel.	Notk. heim ISAL Rel.
4	Escape at east gable, lights added	11.06.09	NI/LDB	GWG	ÓS	
3	Emergency escape door size changed	11.03.10	NI/AFV	HS	ÓS	
2	Issue for construction	11.02.23	NI/LDB	HS	ÓS	

This drawing is the property of
Rio Tinto Alcan Iceland Ltd.
and handed out for personal use only
It may neither be copied nor made
available to others without permission of
Rio Tinto Alcan Iceland Ltd.
The receiver is liable for any misuse.

Stærð:
Format: A1 Mv:
Scale: 1:50/200
Dimensions without tolerances
according to ISO 2768-1 medium.



Dagsetning / Date	2011.02.04
Hannað / Designed	tekn. / Drawn
NI	LDB
Verktaki / Supplier	
HRV	
Tekn.nr.verktaka / Supplier drw.no.	
IDP-410-ZA-015-311	
Samþykkt / Approved	Yfirf. / Chkd
NI	HS
Flútt af. / Part of:	

IPU410-RECTIFIER BUILDINGS		Flokkur nr.:	Blöð nr.:	Næsta bl.nr.:
B5/S2				
RELOCATION OF STAIRCASE INTO POTROOM 2		Kostn.nr.-Ccno. / Bgn.nr.-Eq.no		
TEG. TEIKNINGAR / Dwg. type: STRUCTURAL STEEL		AKS		
		ISAL Tekn.nr. ISAL / Drw.no. of ISAL Breyt./Rev. ISAL Acac Iceland Ltd IS-222 Hafnarfordur ISAL ISAL Yfirfarið og skröð, dags / ISAL Checked, date ISAL Samþykkt, dags / ISAL Approval, date		