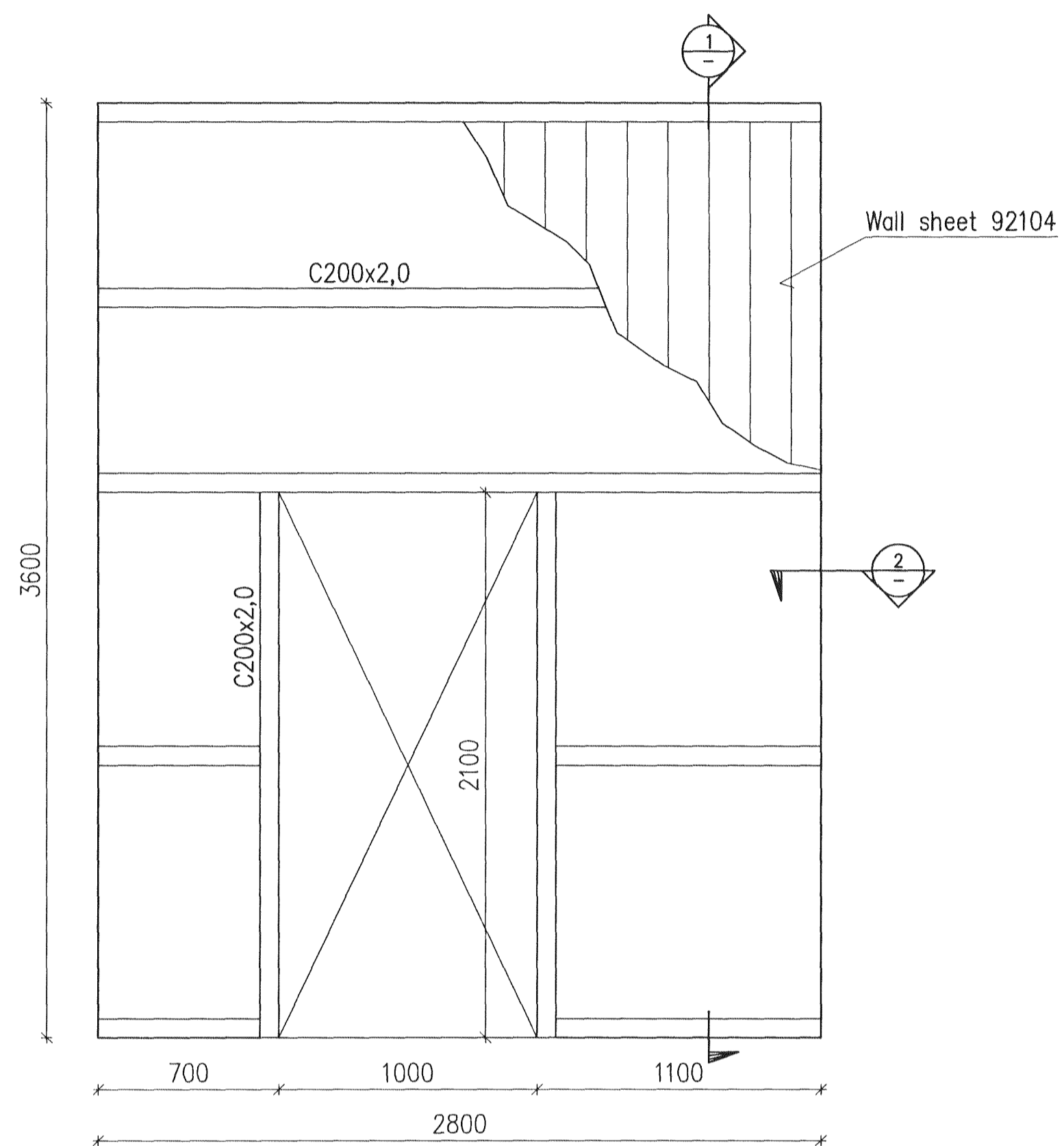
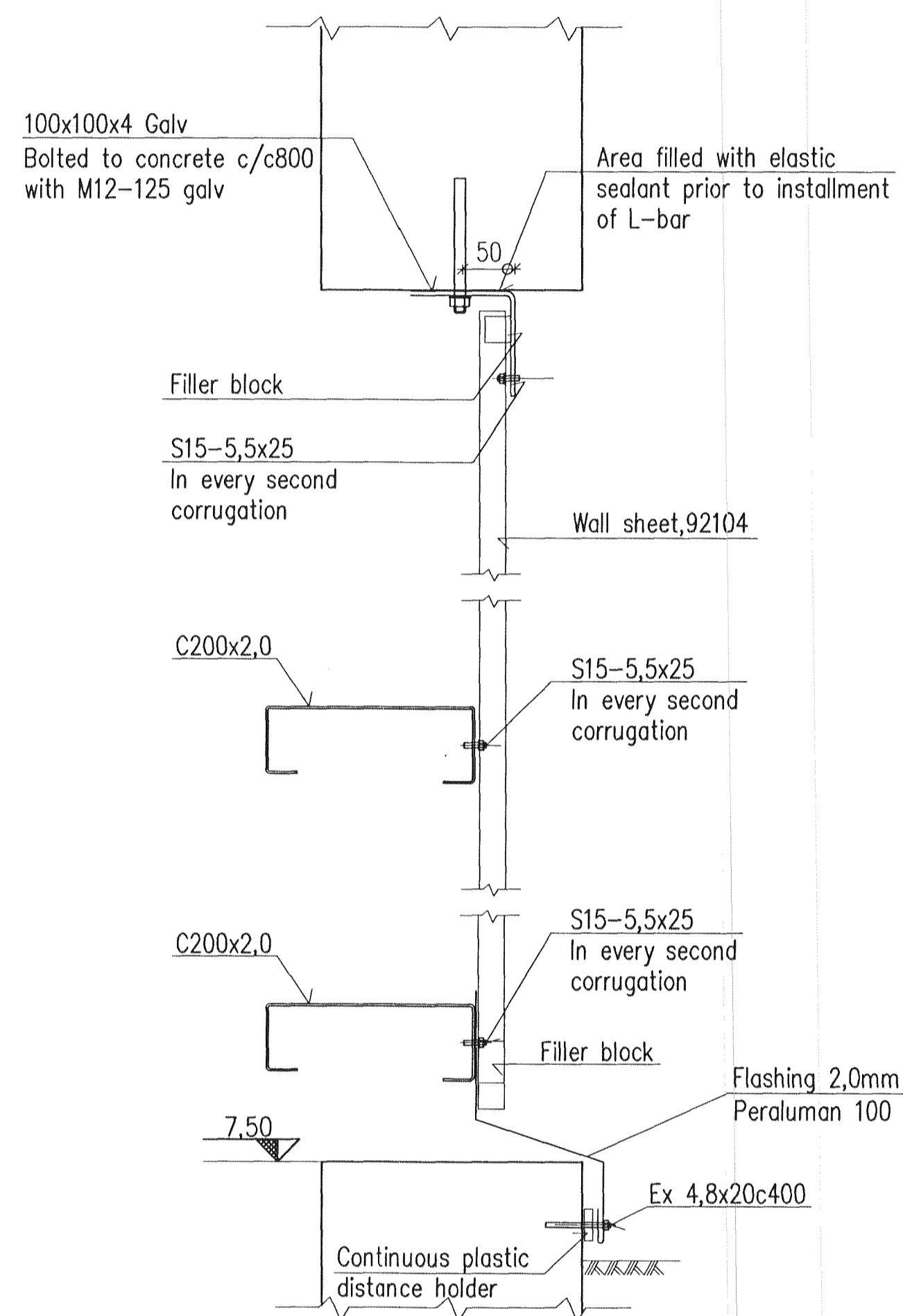


Níel Indriðsson
 DL 0804-3949

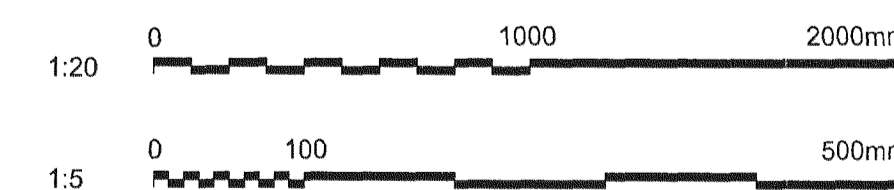
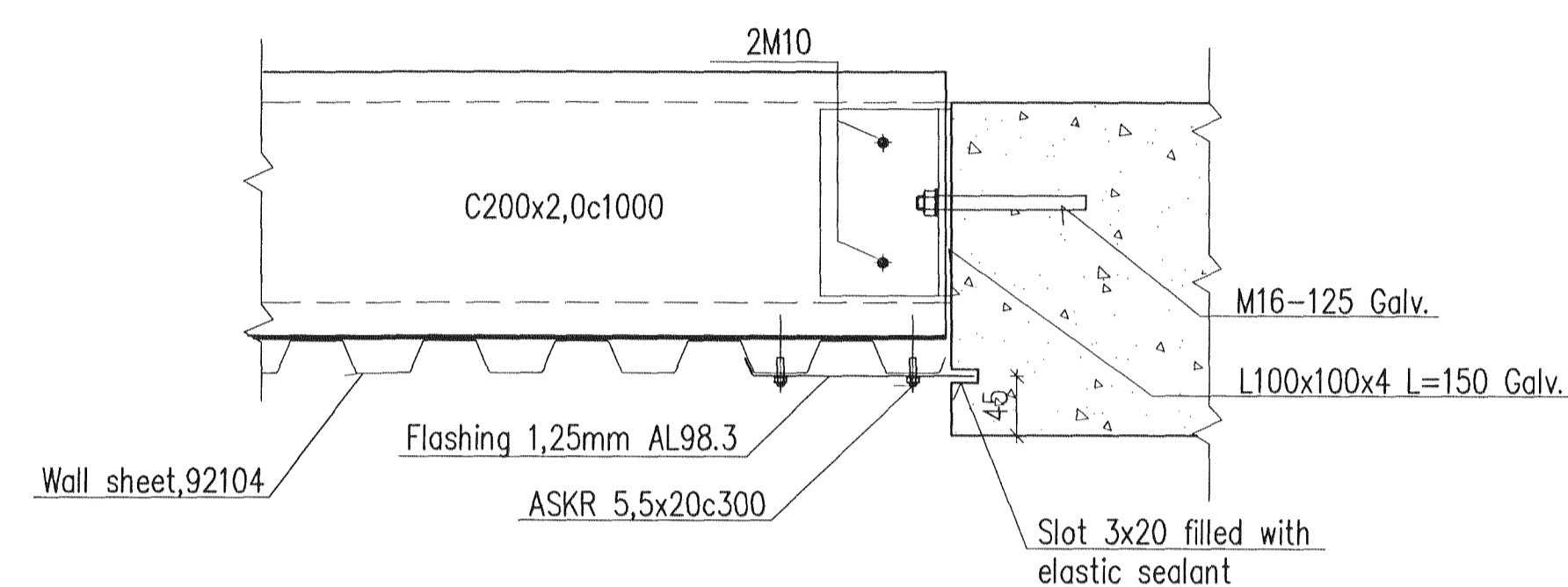
SIDE VIEW 1:20



1 SECTION 1:5



2 SECTION 1:5



Skýringar:
 Legend:

Ólg nr / Rev no	Lýsing / Description	Dagsetning / Date	Harv/ha / Des/Dw	Yfir / Old	Neik heim / Suppl Ref	Neik heim / ISAL Ref
3	Issue for construction	2011.05.13	NI/LDB	HJH	ÓS	

This drawing is the property of Rio Tinto Alcan Iceland Ltd. and handed out for personal use only. It may neither be copied nor made available to others without permission of Rio Tinto Alcan Iceland Ltd. The receiver is liable for any misuse.
 Starb: A1 Mkv: 1:20, 1:5
 Format: Dimensions without tolerances according to ISO 2768-1 medium.



Dagsetning / Date	2011.02.14
Hannað / Designed	NI
Tekin / Drawn	AFV
Verktaki / Supplier	HRV
Tekin nr. verktaka / Supplier drw no.	IDP-212-ZA-062-105
Sambýkkt / Approved	NI
Yfir / Chkd	HJH
Hluti af: / Part of:	

IPU 212 - SUBSTATION 140
 CIVIL WORK
 TRANSFORMER ROOM
 STRUCTURAL STEEL

Rio Tinto Alcan

Flakkur nr.:	Blað nr.:	Nesta bl. nr.:
Kostn. nr. - Ccno. / BGNr. - Eq.no	5090	AKS
ISAL Tekn. nr. ISAL / Drw. no. of ISAL	IS-222 Hafnarfordur Ísland	Breyt./Rev
ISAL Sambýkkt, dag / ISAL Approved, date		C