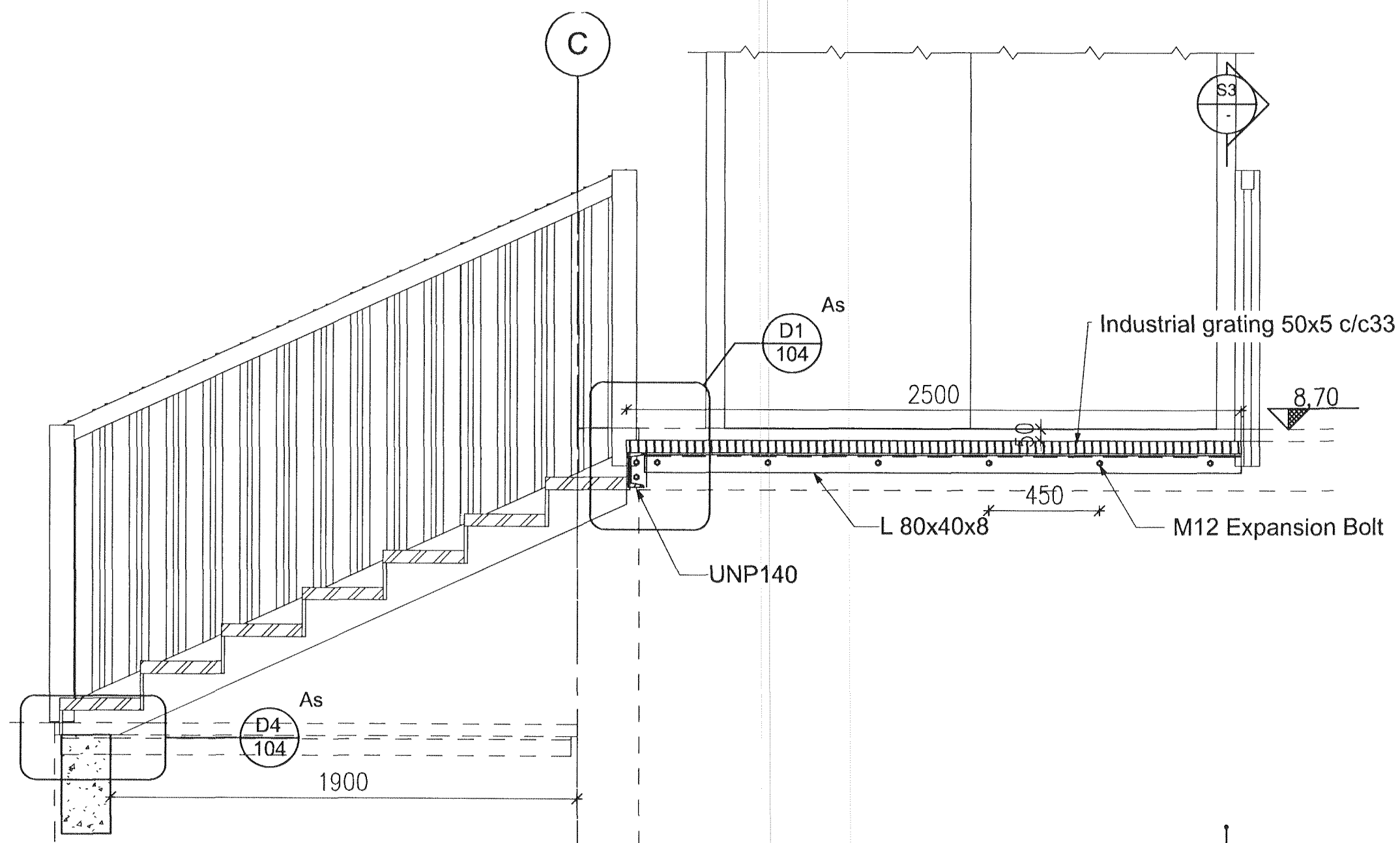
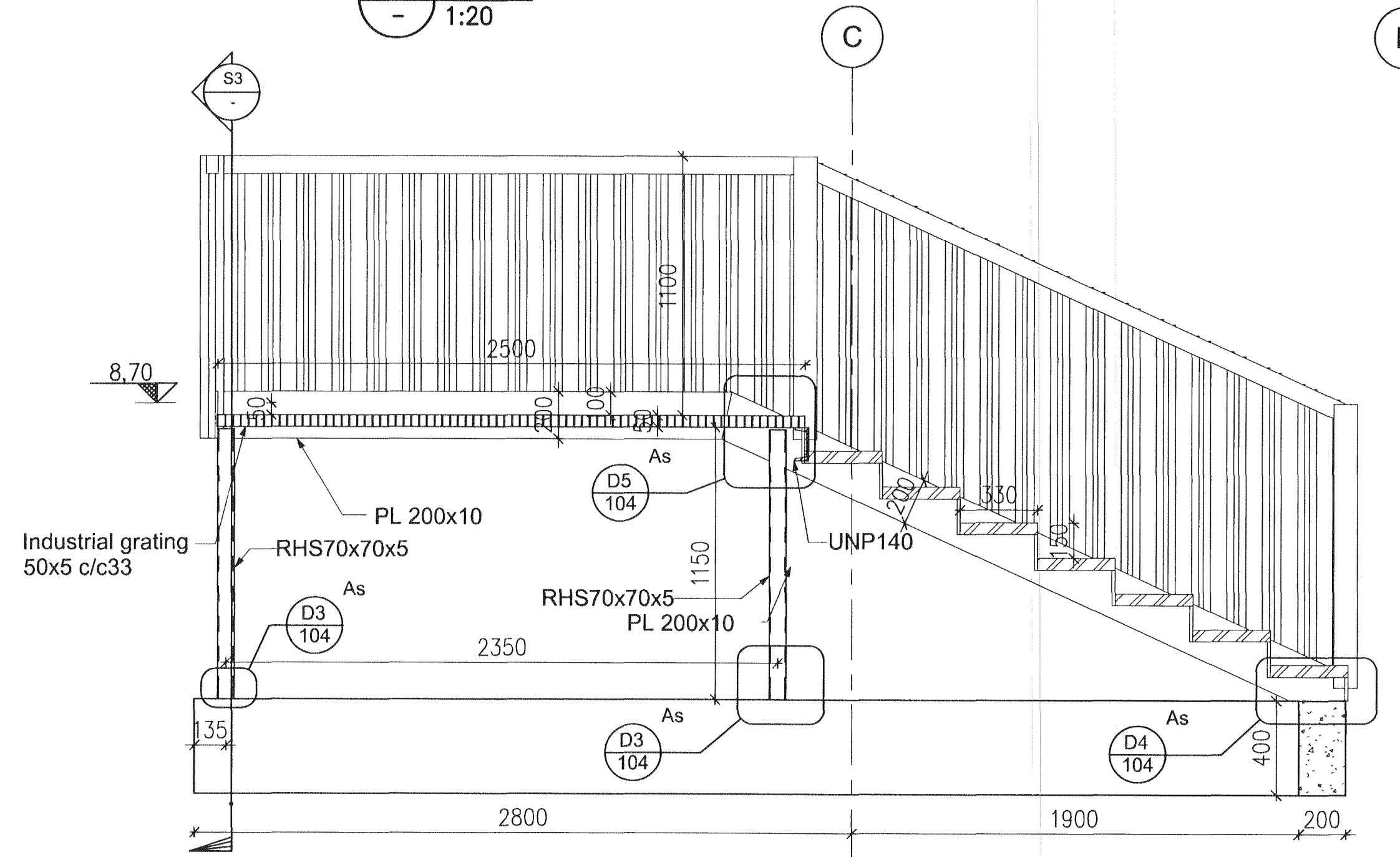


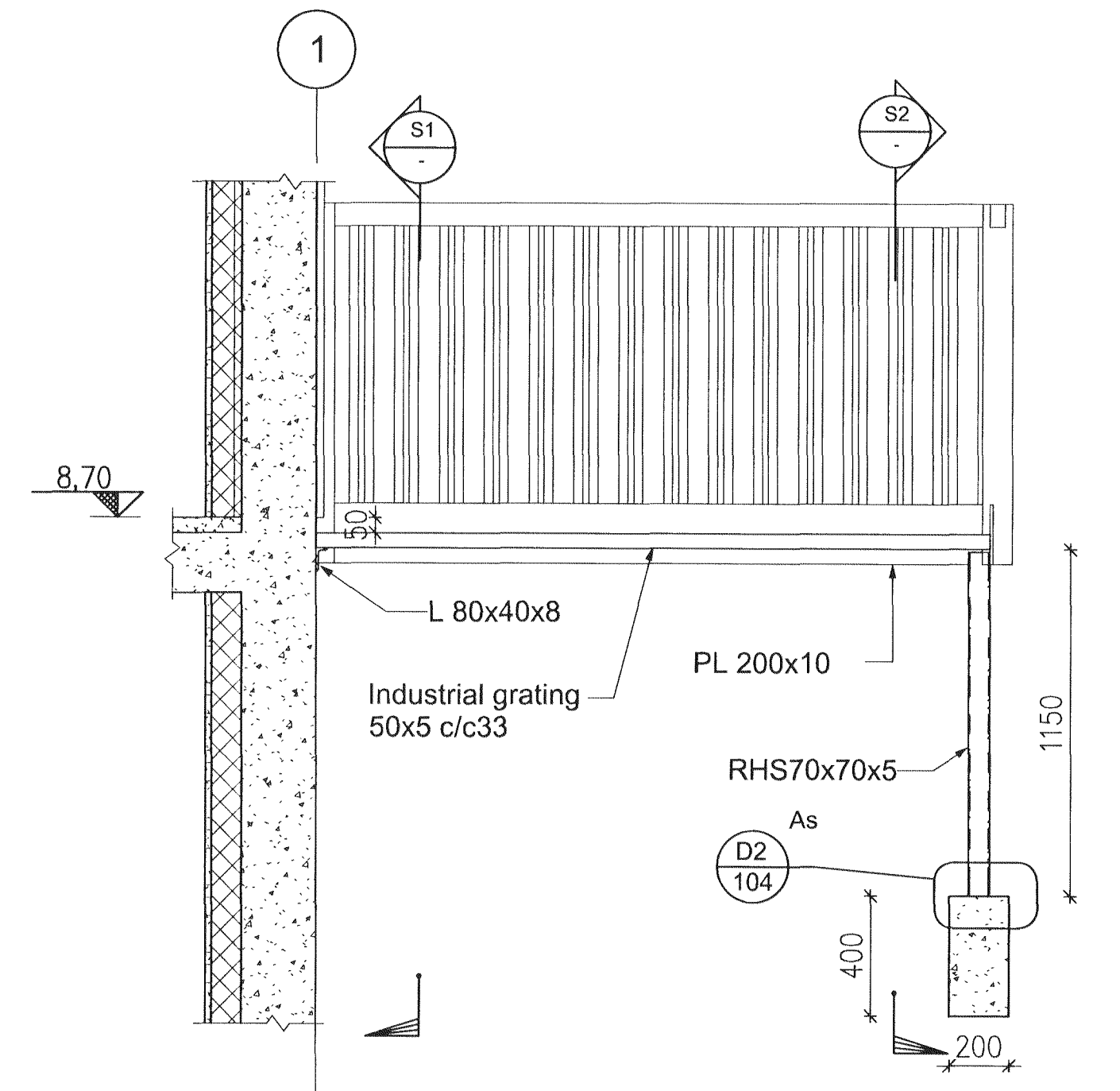
STAIR I, PLAN, 1:20



S1 SECTION - 1:20



S2 SECTION - 1:20



S3 SECTION - 1:20

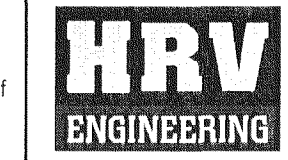


Skýringar:
 Legend:

3	Issue for construction	2011.05.13	HFB/LDB	HJH	ÓS
Útg. nr. Rev. no.	Lýsing Description	Dagsetning Date	Man/Ím. Des./Dw.	Yfir Ckd.	Notk. heim. Notk. Ref.

This drawing is the property of Rio Tinto Alcan Iceland Ltd. and handed out for personal use only. It may neither be copied nor made available to others without permission of Rio Tinto Alcan Iceland Ltd. The receiver is liable for any misuse.

Stærð: A1
 Format: A1
 Scale: 1:20
 Dimensions without tolerances according to ISO 2768-1 medium.



Dagsetning / Date	2011.02.14
Hannað / Designed	Teikn / Drawn
HFB	HFB/AFV
Verktaki / Supplier	HRV
Teikn.nr.verktaka / Supplier drw.no.	IDP-212-ZA-062-103
Samþykkt / Approved	Yfir / Chkd
NI	HJH
Hluti af: / Part of:	

IPU 212 - SUBSTATION 140
 CIVIL WORK
 STAIR I, PLAN, DETAIL AND SECTIONS
 STRUCTURAL STEEL

RioTintoAlcan

ISAL
 Alcan Iceland Ltd
 Stráumsvæki
 IS-222 Hafnarfjarður
 Ísland

Flokkur nr.:	Blað nr.:	Nesta bl. nr.:
Kostn.nr.-Cno. / Búrn.nr.-Eq.no	5090	AKS
Teikn.nr. ISAL / Drw.no. of ISAL	Breyt./Rev.	C