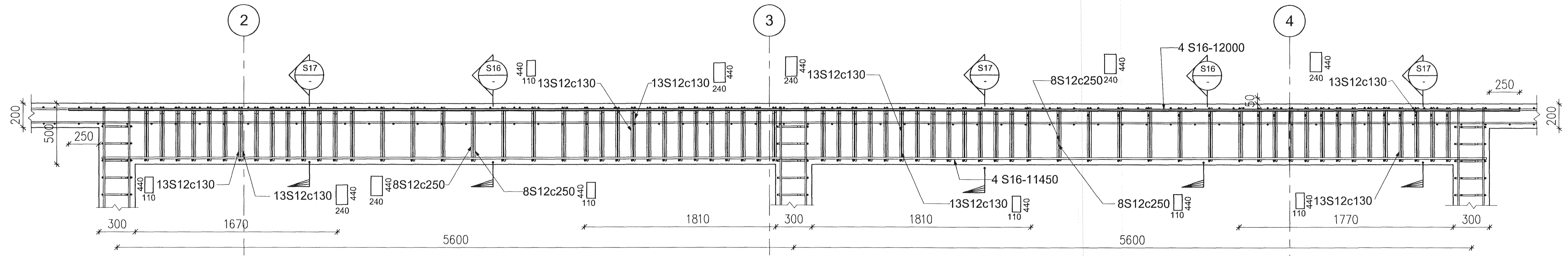
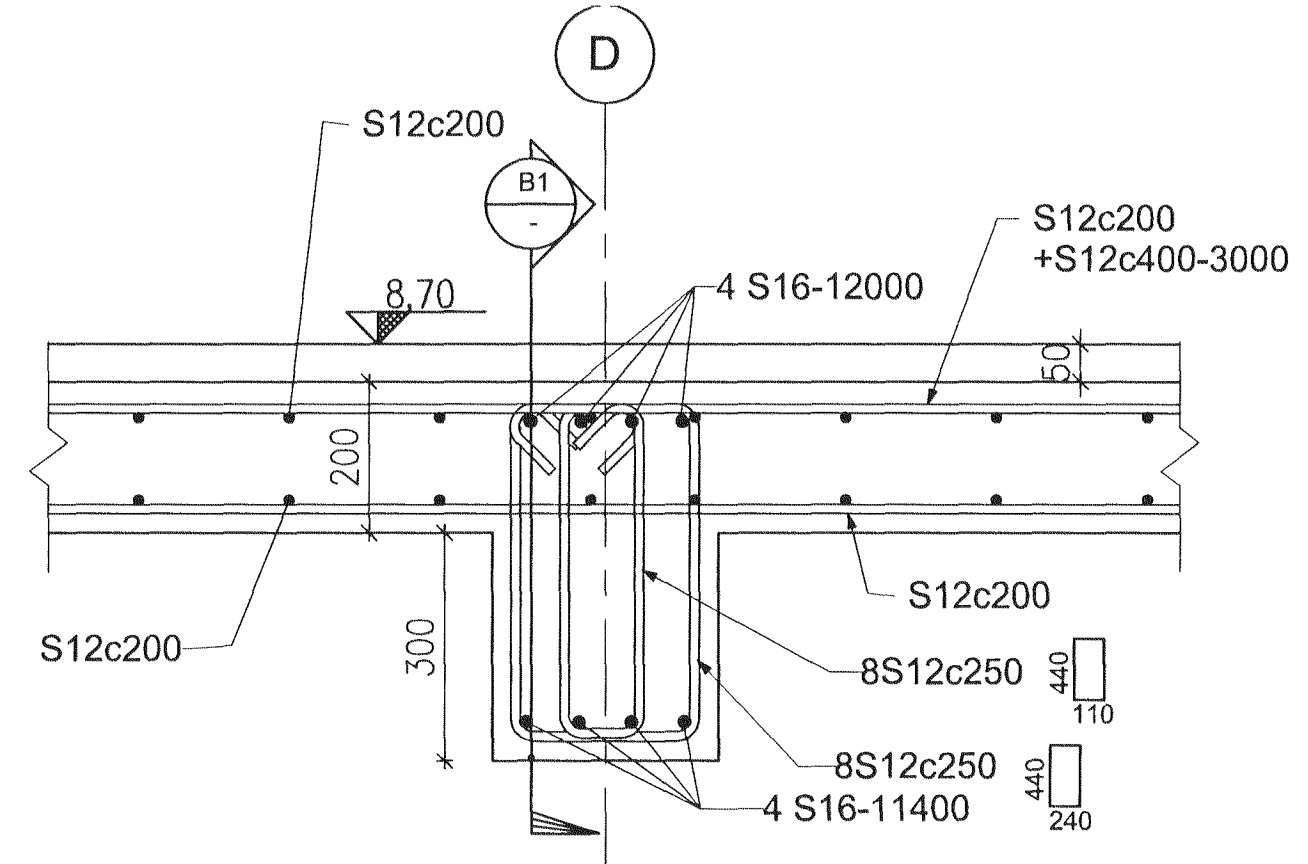


Samþykkt þann  
 04 JUL 2011  
 Byggingafræðingur (Hafnarfræðingur)  
 P.h. Hrólfur S. Gunnlaugsson

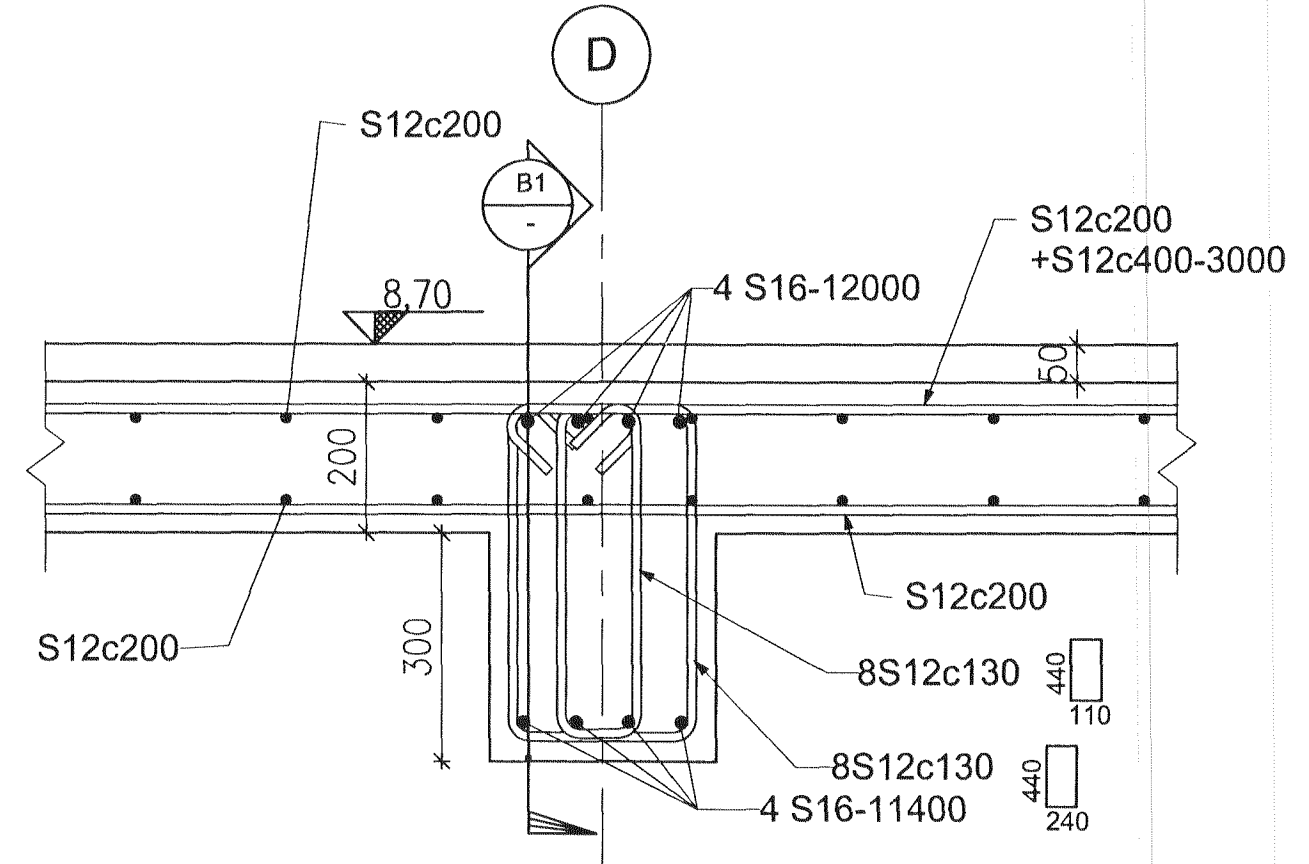
Nick Indriðsson  
 Ni 131144-3944



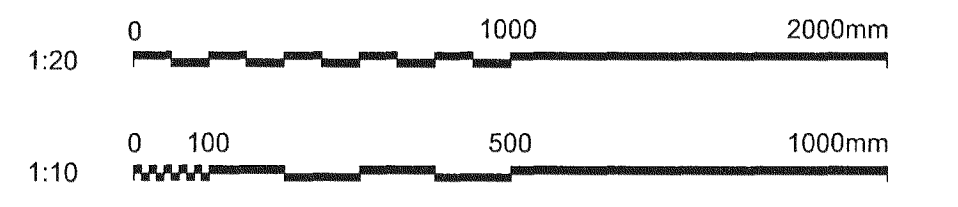
B1 SECTION  
 106 1:20



S16 SECTION  
 1:10



S17 SECTION  
 1:10



Skýringar: Legend:										This drawing is the property of Rio Tinto Alcan Iceland Ltd and handed out for personal use only. It may neither be copied nor made available to others without permission of Rio Tinto Alcan Iceland Ltd. The receiver is liable for any misuse. Stærð: A1 Máv: 1:20, 1:10 Formát: A1 Scale: 1:20, 1:10 Dimensions without tolerances according to ISO 2768-1 medium.		Dagsetning / Date 2011.02.14	IPU 212 - SUBSTATION 140	Flokkur nr.:	Blað nr.:	Nesta bl.nr.:
													HFB / Designed HFB / Drawn HRV / Supplier Teikn / Drawn HFB/ÁFV	CIVIL WORK BEAM, SECTIONS	Kostn.nr.-Ceno. / Búan.nr.-Eqno 5090	
											Teikn.nr.verktaka / Supplier drw.no. IDP-212-CA-062-107	RioTintoAlcan Alcan Iceland Ltd Skraunsvík IS-222 Hafnarfjörður Ísland	Teikn.nr. ISAL / Drw.no. of ISAL ISAL	Breyt./Rev. C		
	3	Issue for construction	2011.05.13	HFB/LDB	HJH	ÓS										
	Útg. nr. Rev no	Lýsing Description	Dagsetning Date	Han/Ún Des/Drw	Yfir Dkd	Notk. heim Suppl. Ret	Notk. heim ISAL Ret									