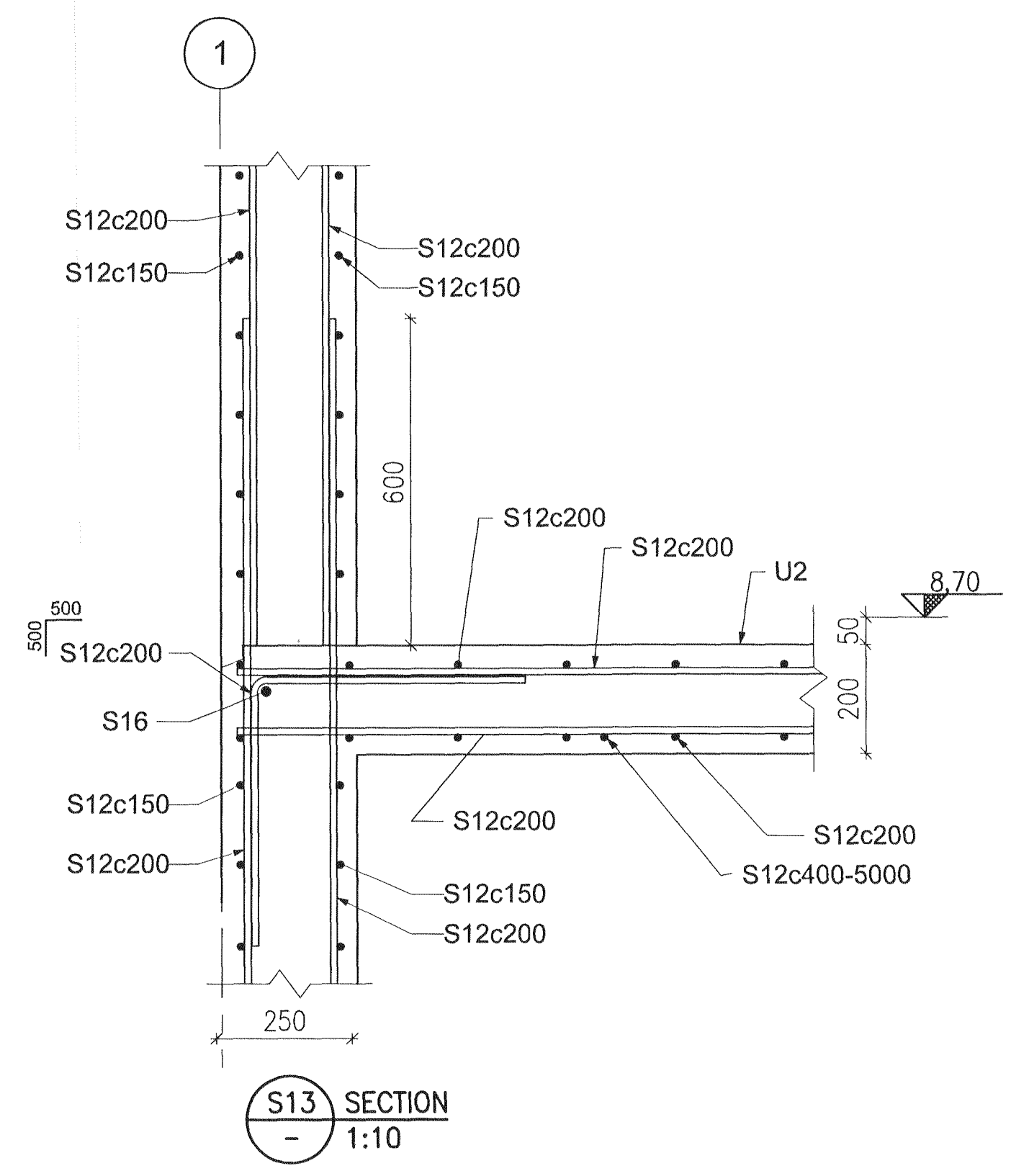
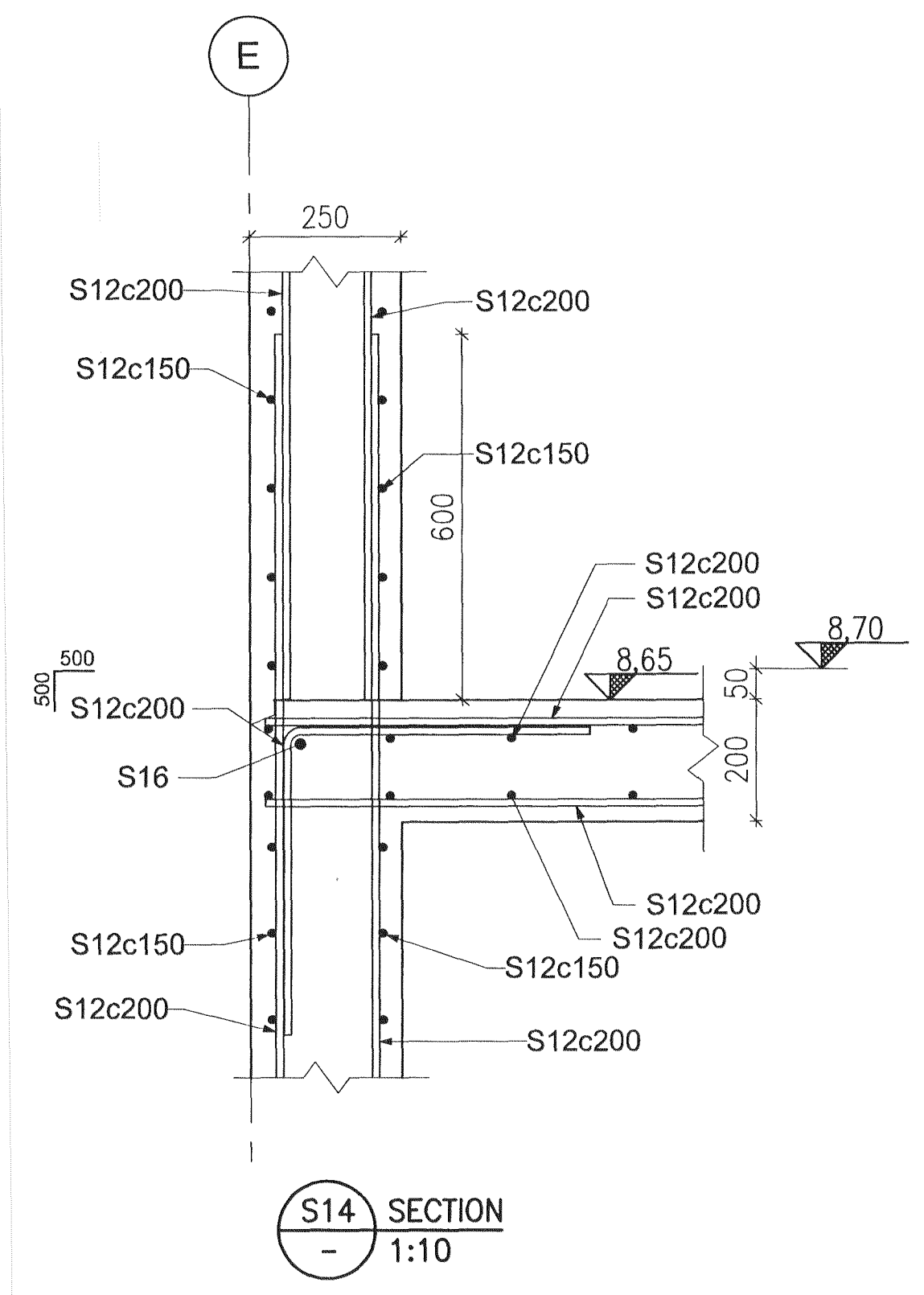


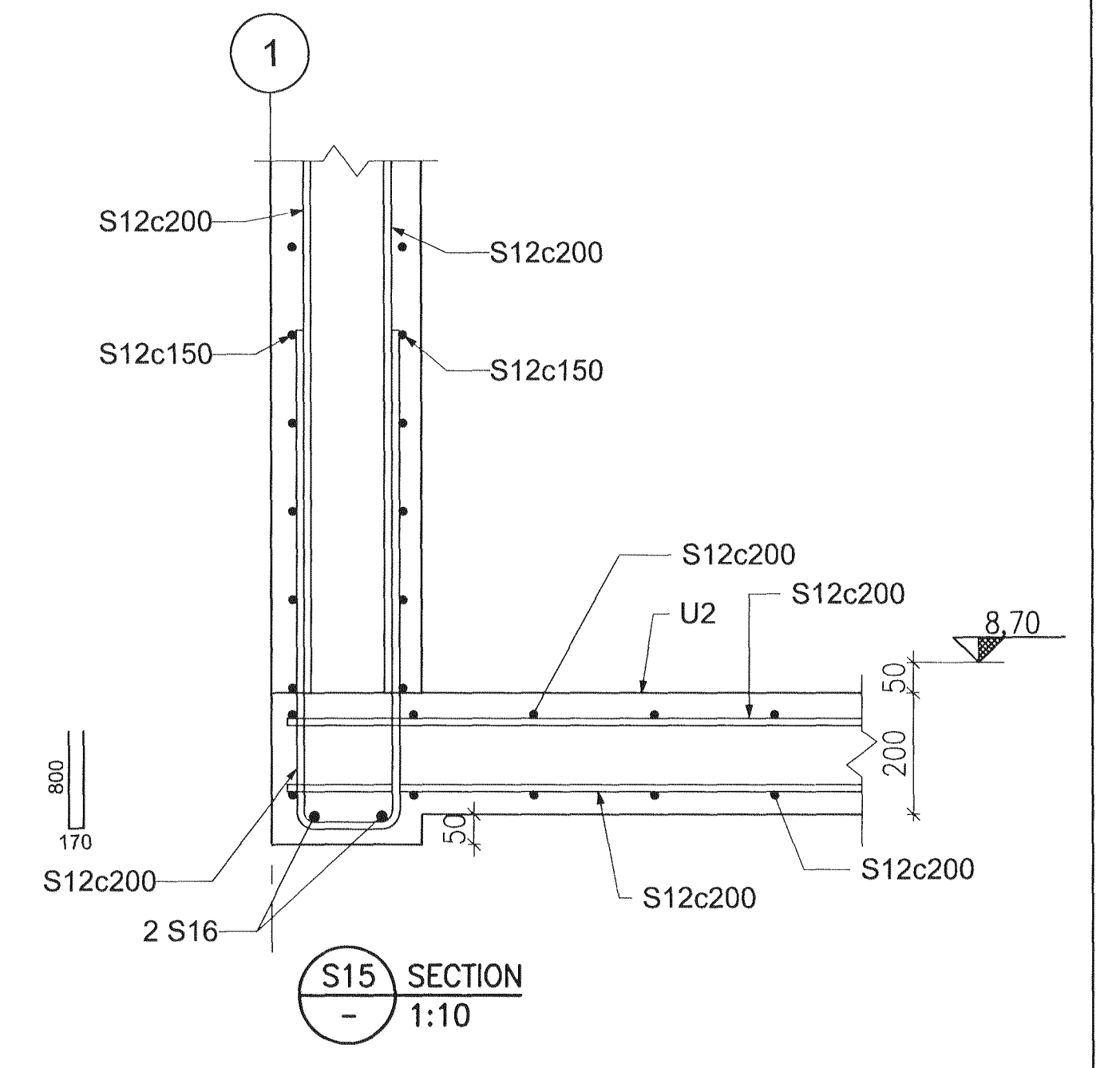
PLAN, LEVEL 8.70, 1:50



S13 SECTION - 1:10



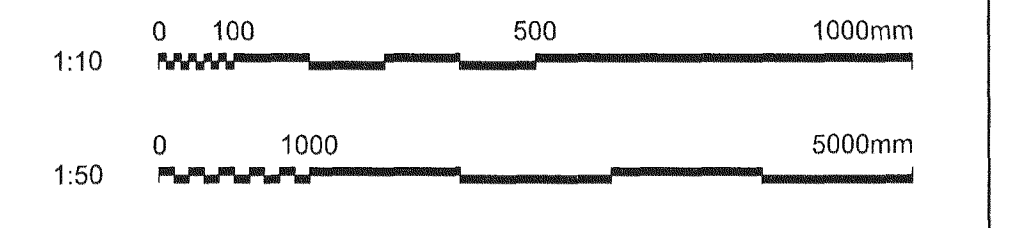
S14 SECTION - 1:10



S15 SECTION - 1:10

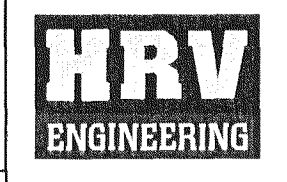
Samþykkt þann  
04 JUL 2011  
Bygginguáttæringin í Hafnarfirði  
F.h. Hrólfur S. Gunnlaugsson

Niel Indriðsson  
NÚ 151144-3949



Skýringar:  
Legend: Live load: 5kN/m<sup>2</sup>

This drawing is the property of Rio Tinto Alcan Iceland Ltd. and handed out for personal use only. It may neither be copied nor made available to others without permission of Rio Tinto Alcan Iceland Ltd. The receiver is liable for any misuse.  
Scale: 1:10, 1:50  
Dimensions without tolerances according to ISO 2788-1 medium.



Dagsetning / Date 2011.02.14	
Hannað / Designed HFB	Teikn / Drawn HFB/AFV
Verktaki / Supplier HRV	Teg. teikningar / Dwg. type: REINFORCEMENT
Teikn.nr. verktaka / Supplier drw.no. IDP-212-CA-062-106	Yfir / Chkd HJH
Sambítt / Approved HJH	Hluti af / Part of:

IPU 212 - SUBSTATION 140 CIVIL WORK SLAB, PLAN AND SECTIONS		
Flokkur nr.:	Blað nr.:	Nesta bl. nr.:
Kostn.nr.-Ccnr. / Bðn.nr.-Eq.no 5090		
AKS		
Teikn.nr. ISAL / Drw.no. of ISAL	Breyt./Rev.	
<b>RioTintoAlcan</b>		C
ISAL Yfirfarð og skráð, dags / ISAL Checked, date		
ISAL Samþykkt, dags / ISAL Approved, date		

3	Issue for construction	2011.05.13	HFB/LDB	HJH	ÓS			
Dlg nr	Rev no	Lýsing	Description	Dagsetning	Des/Drw	Yfir	Chkd	Notk heim
								ISAL Rel