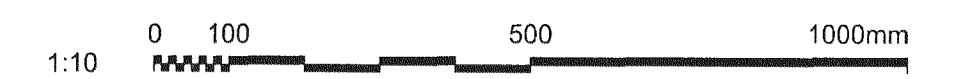
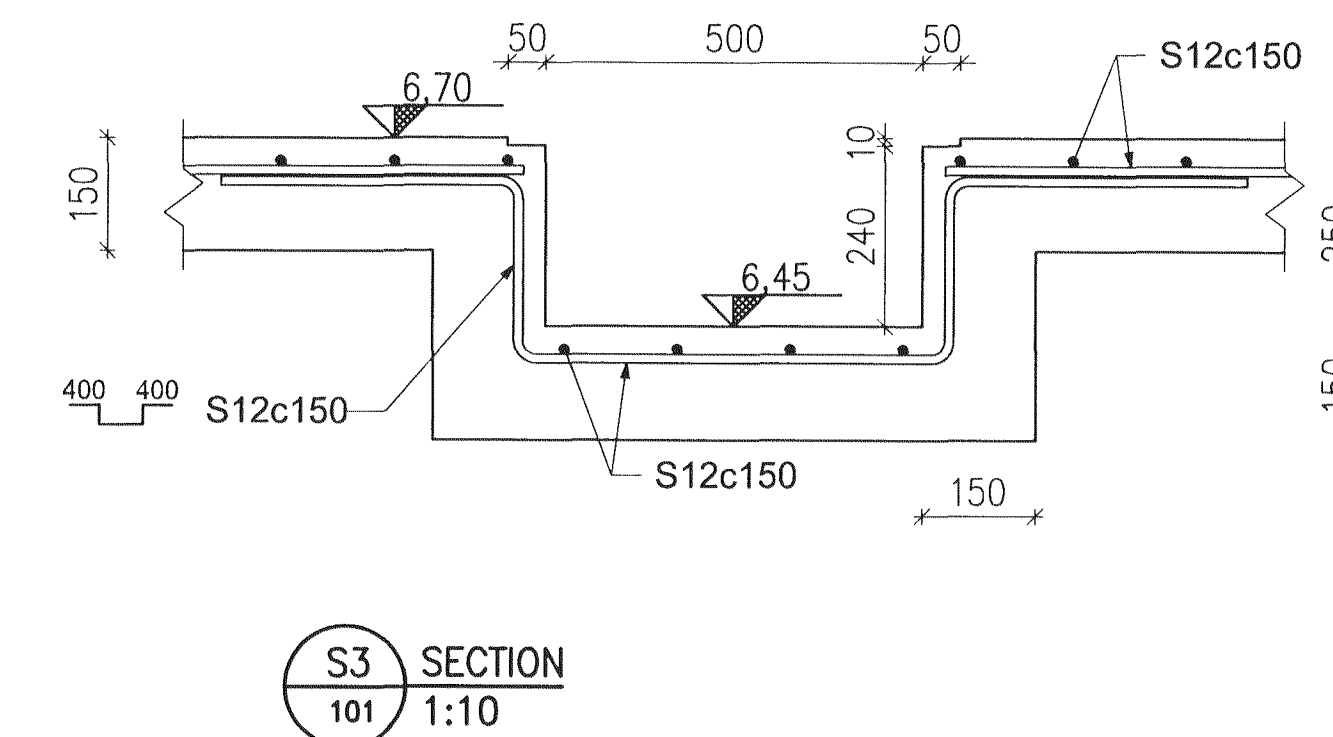
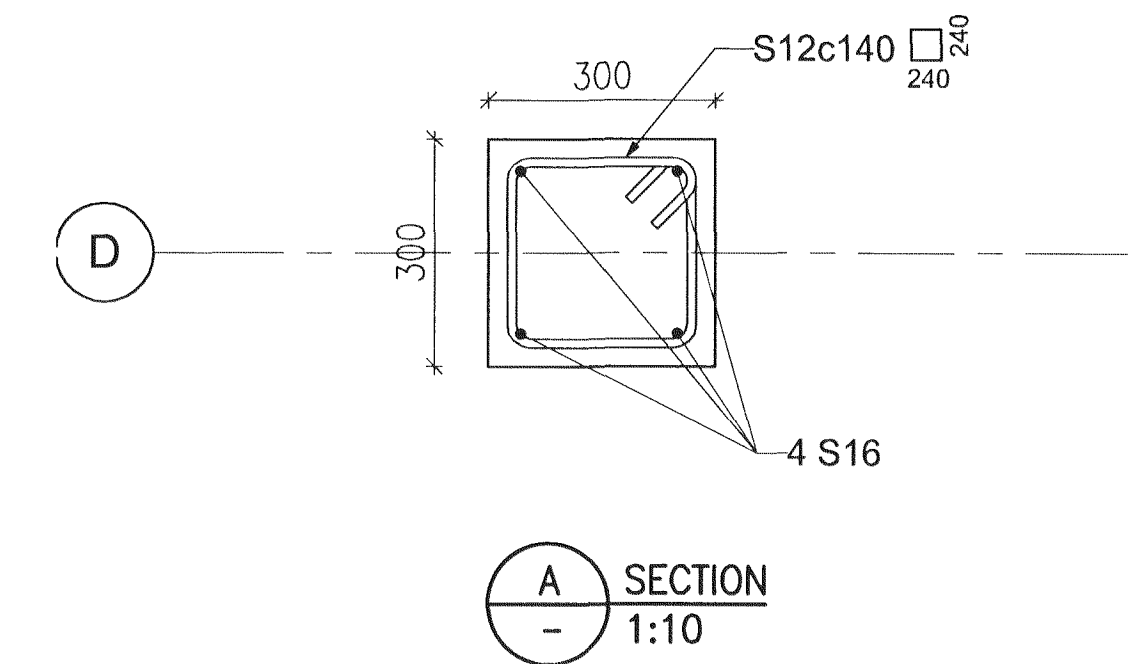
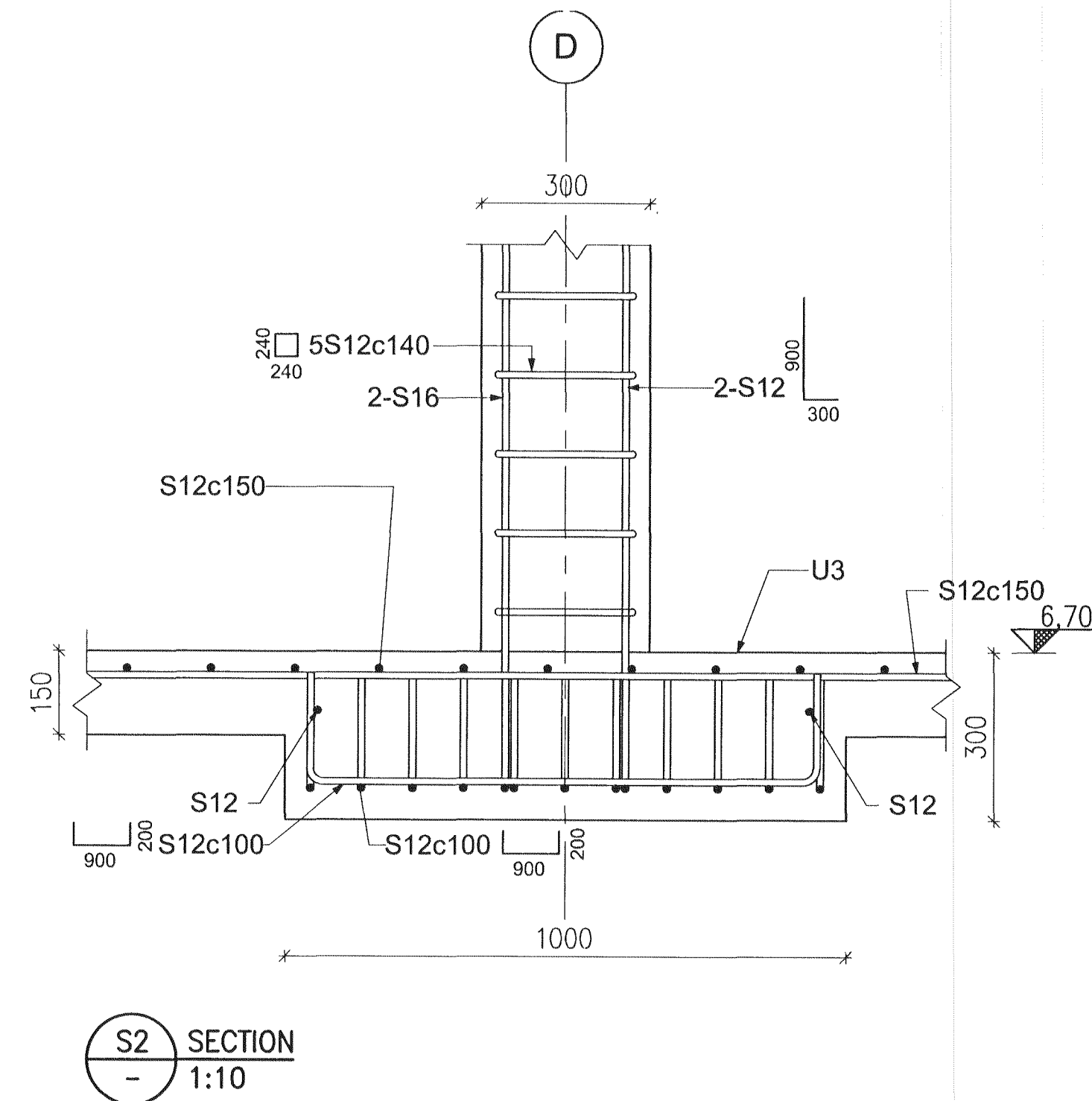
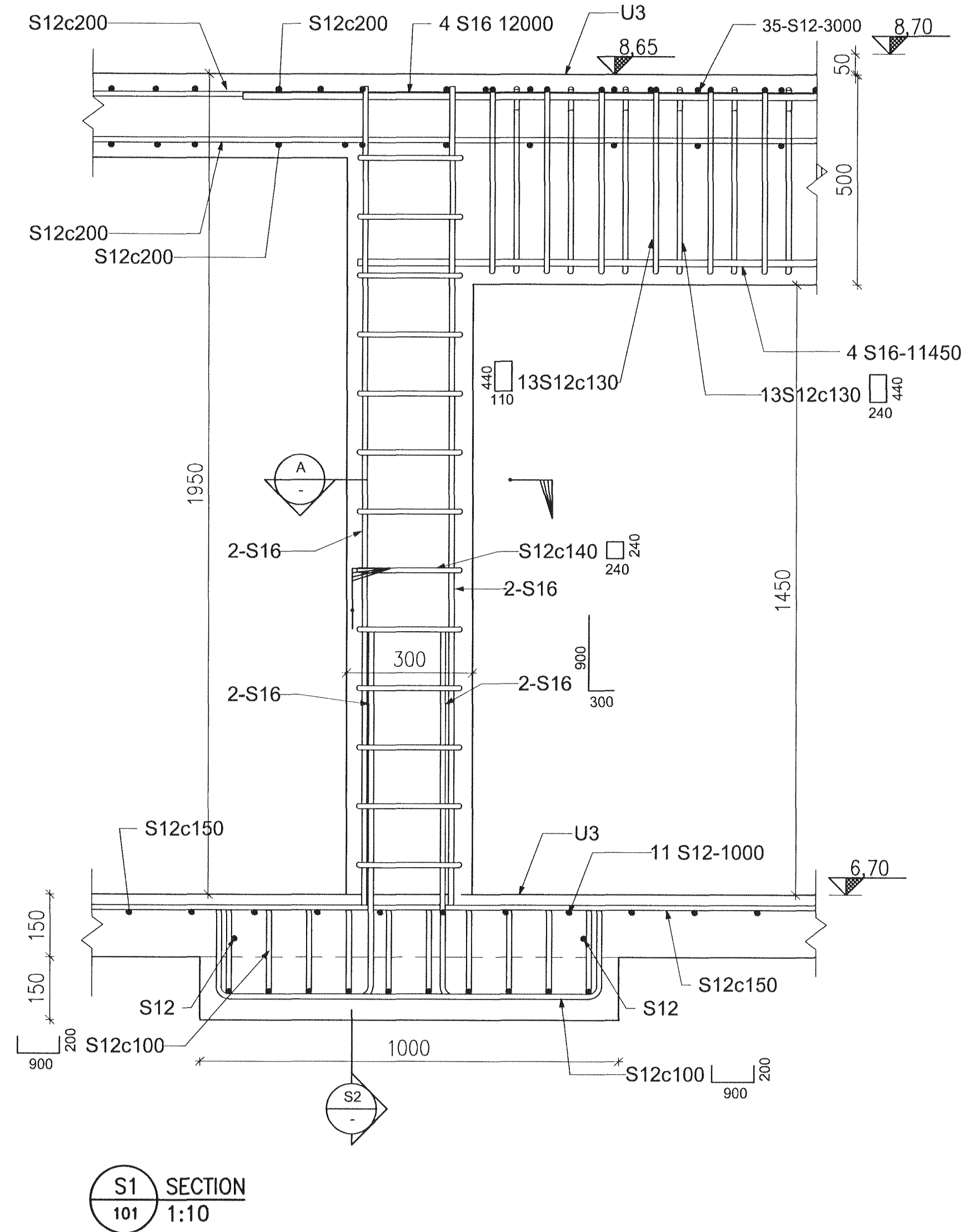


Níels Indriðason



Skýringar:
 Legend:

This drawing is the property of Rio Tinto Alcan Iceland Ltd. and handed out for personal use only. It may neither be copied nor made available to others without permission of Rio Tinto Alcan Iceland Ltd. The receiver is liable for any misuse.



Dagsetning / Date: 2011.02.14
 Hannaóð / Designed: HFB/AFV
 Verktaki / Supplier: HRV
 Teikn nr./verktaki / Supplier drw.no: IDP-212-CA-062-102
 Samþykkt / Approved: HJH
 Húti af: / Part of:

IPU 212 - SUBSTATION 140
 CIVIL WORK
 FOUNDATIONS AND SECTIONS
 REINFORCEMENT
RioTintoAlcan

Flökkur nr.: Blað nr.: Næsta bl.nr.:
 Kostn.nr.-Cno. / Blánr.-Eqno: 5090
 AKS
 ISAL Teikn.nr. ISAL / Drw.no. of ISAL: Brýtt./Rev: C
 ISAL Yfirbúð og skráð, dags / ISAL Checked, date: ISAL Samþykkt, dags / ISAL Approval, date: