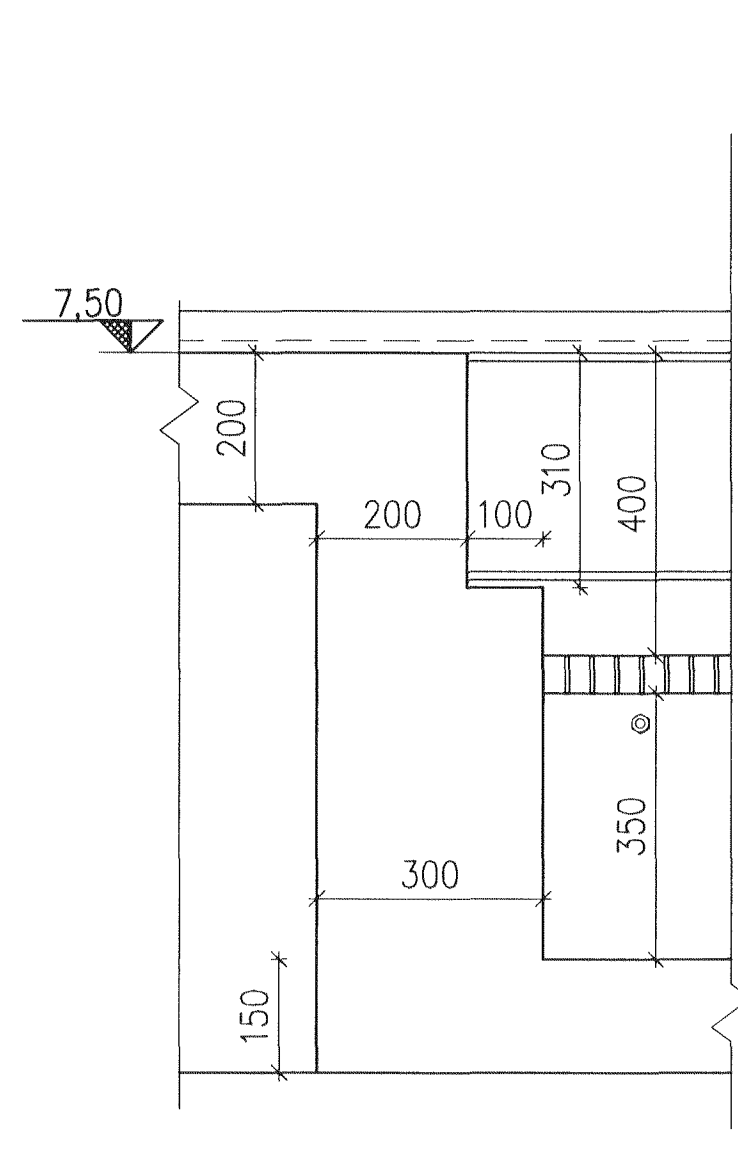
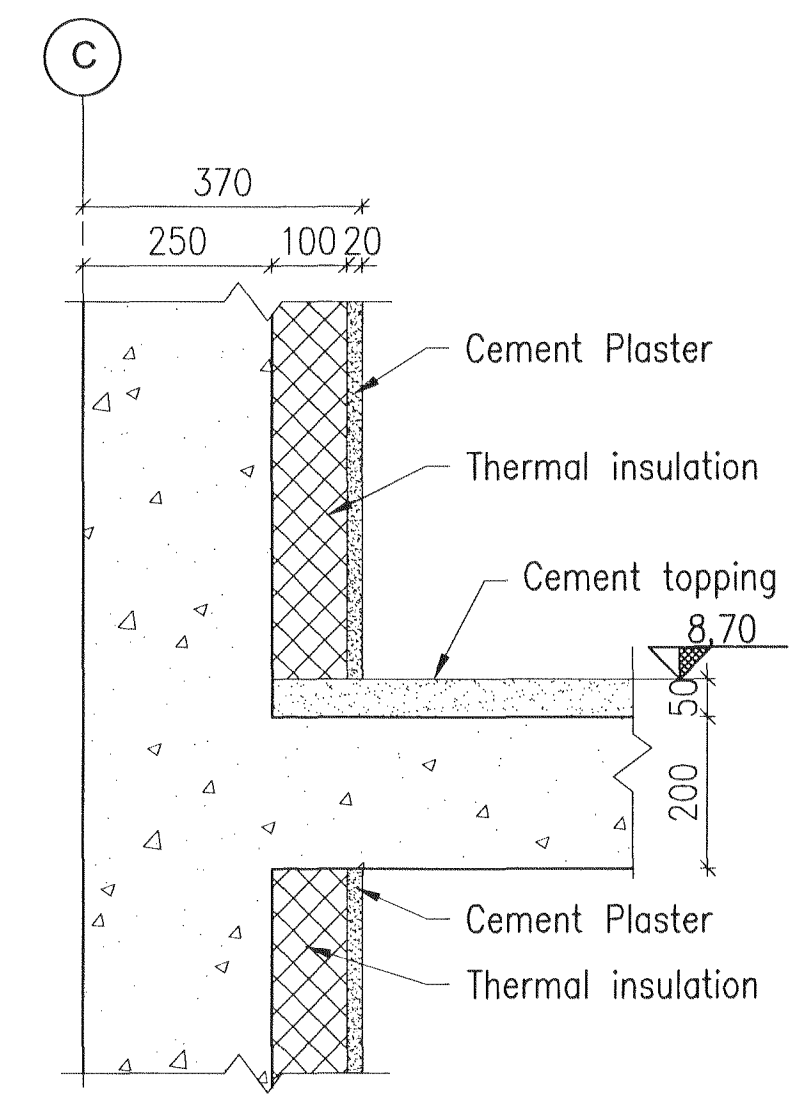


Samþykkt þann
04 JUL 2011
Byggingafræðingur / Hafnarfræði
F.h. Hrölfur S. Gunnlaugsson

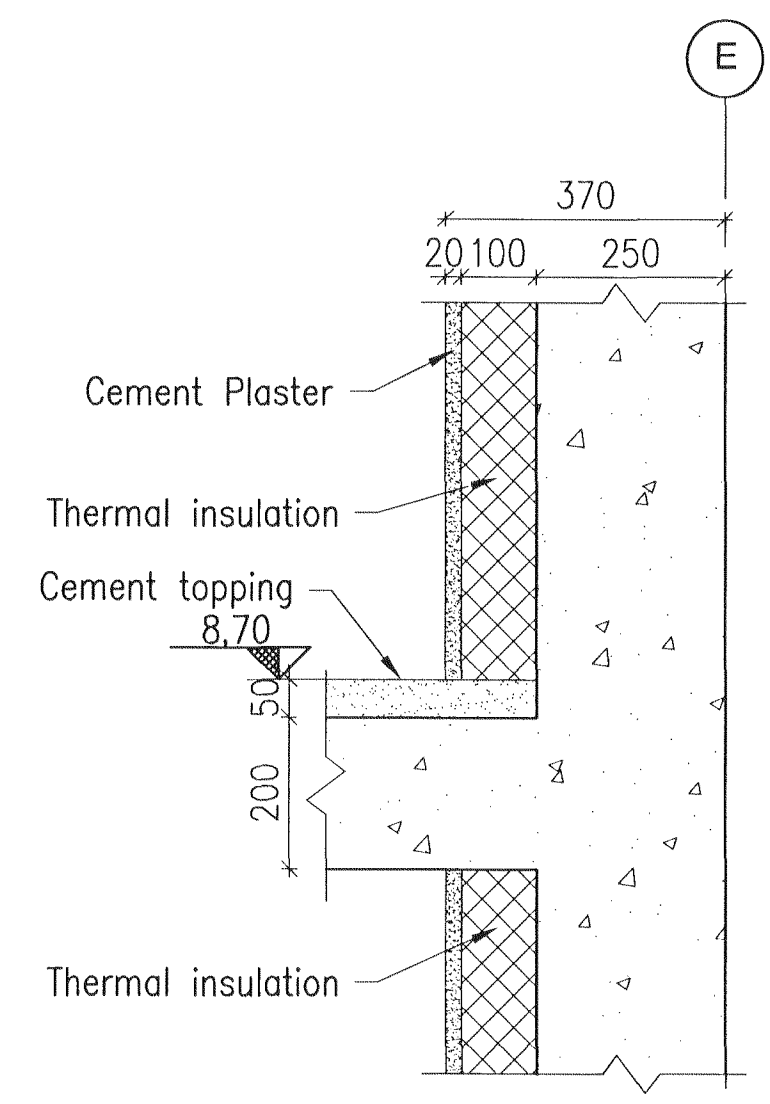
Alm. Indriðsson



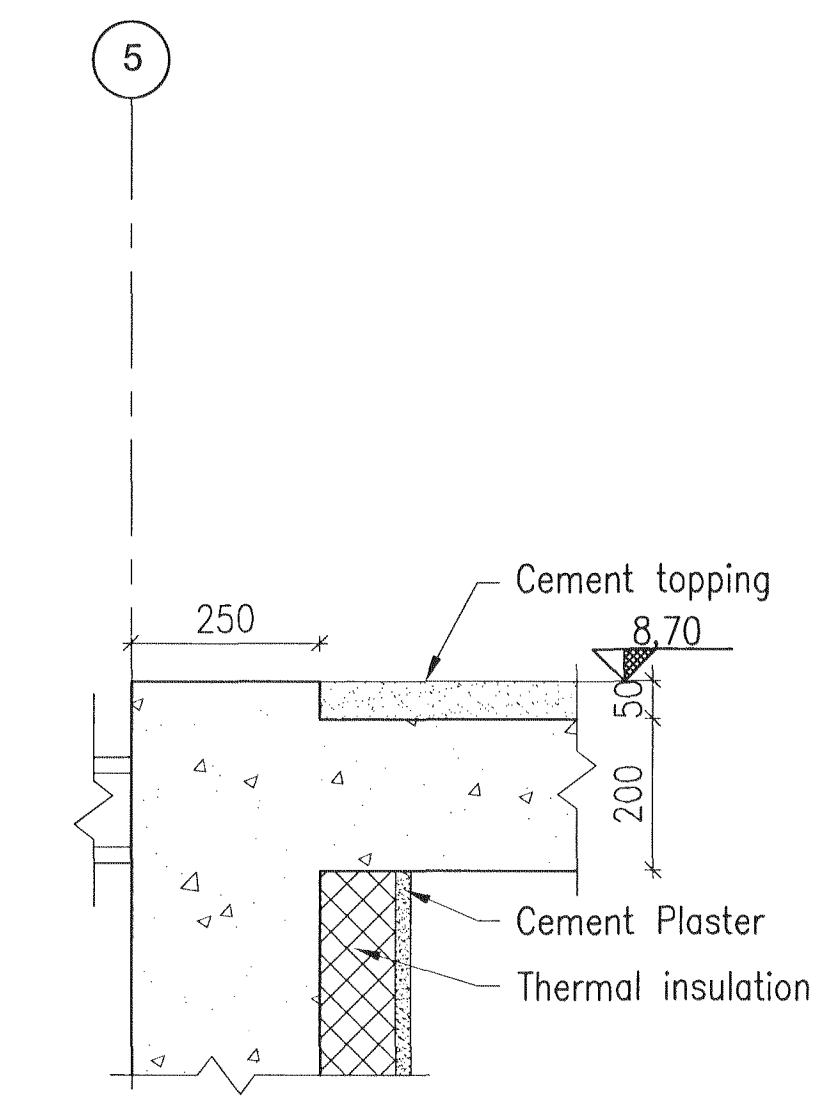
D1 DETAIL
014 1:10



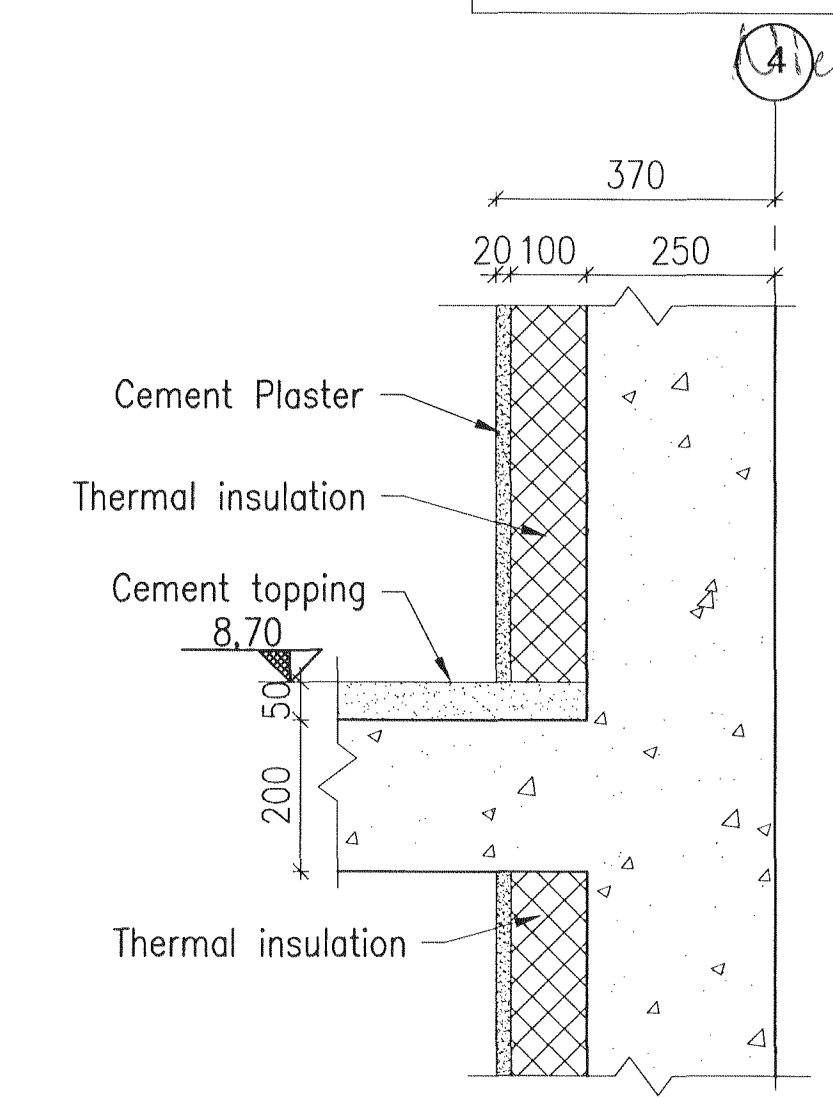
D2 DETAIL
014 1:10



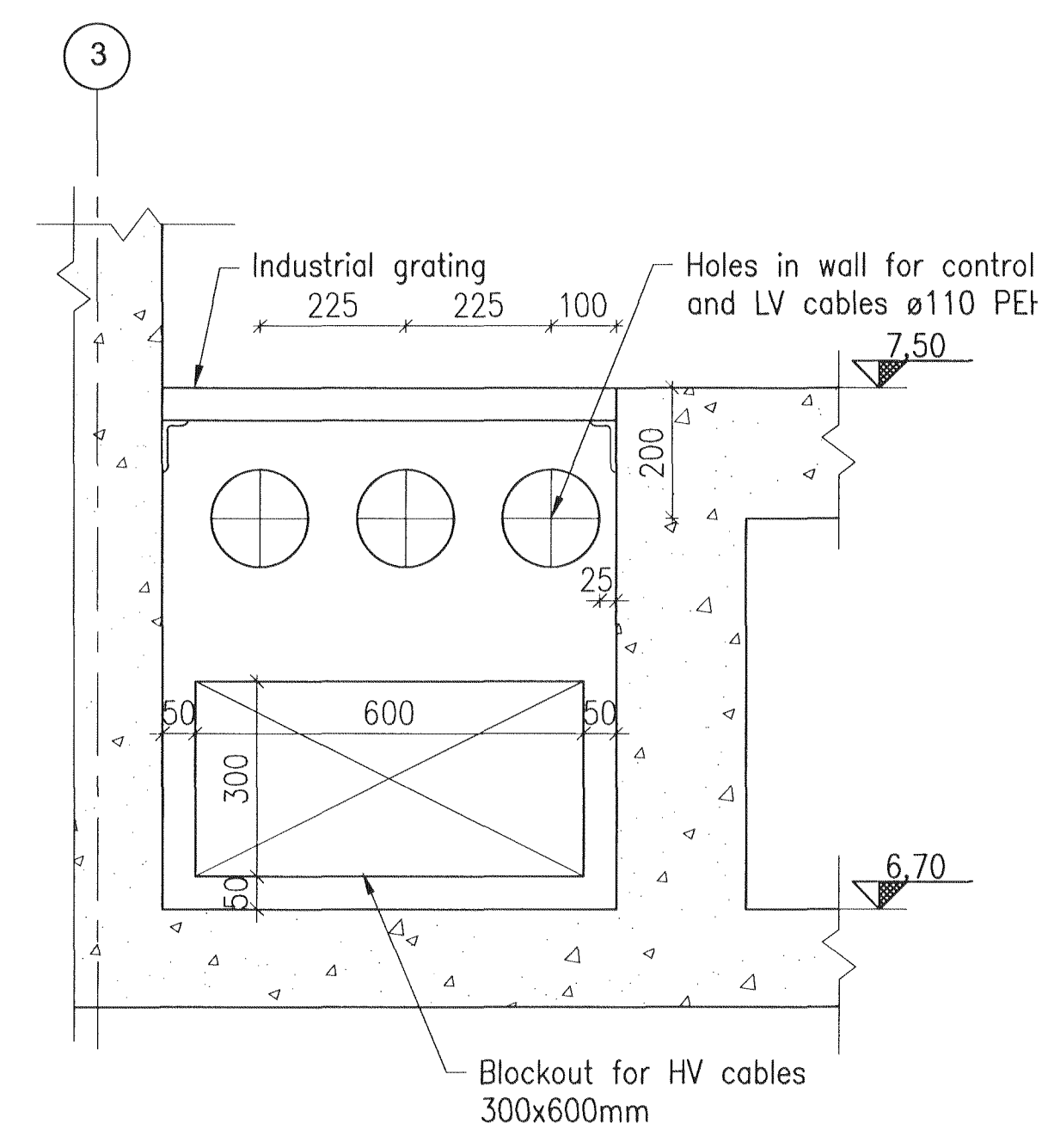
D3 DETAIL
014 1:10



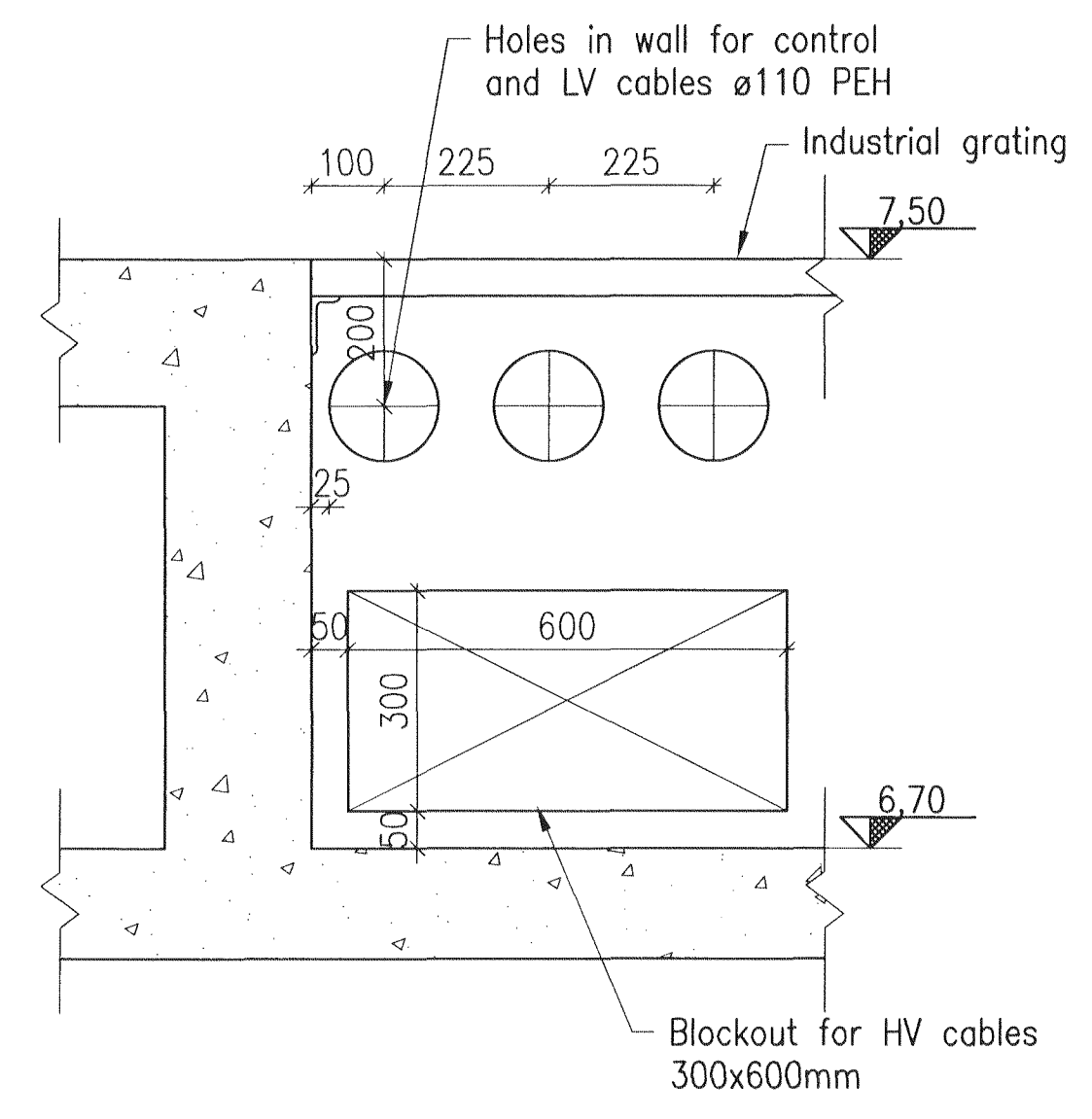
D4 DETAIL
014 1:10



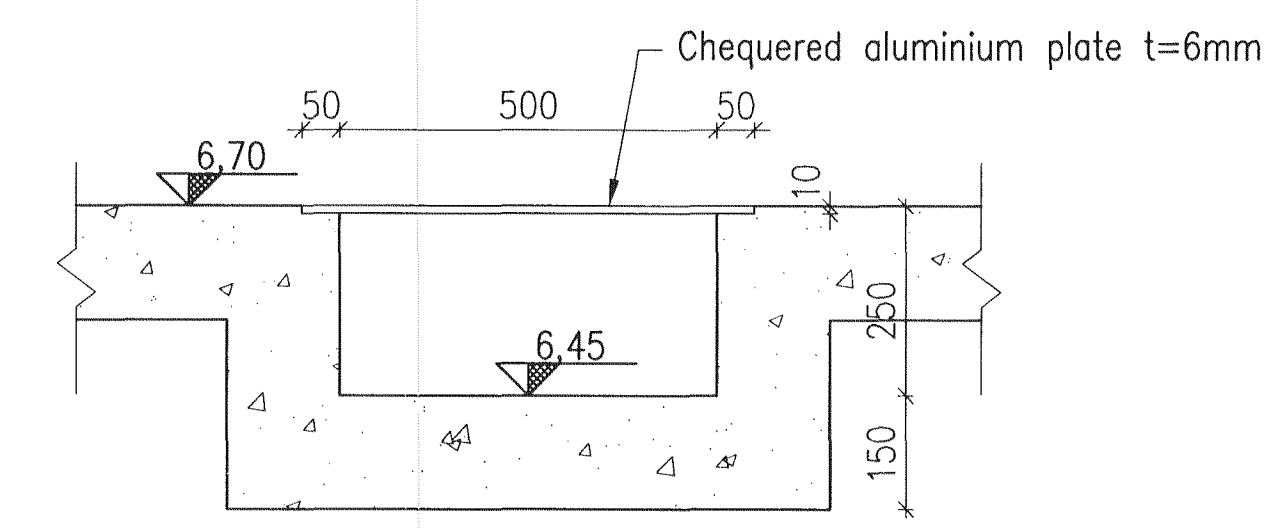
D5 DETAIL
014 1:10



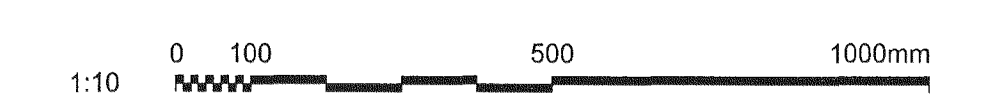
D6 DETAIL
014 1:10



D7 DETAIL
014 1:10



D12 DETAIL
014 1:10



Skýringar: Legend:						This drawing is the property of Rio Tinto Alcan Iceland Ltd. and handed out for personal use only. It may neither be copied nor made available to others without permission of Rio Tinto Alcan Iceland Ltd. The receiver is liable for any misuse. Stærð: A1 Mkv: 1:10 Formát: A1 Scale: 1:10 Dimensions without tolerances according to ISO 2768-1 medium.		Dagsetning / Date 2011.02.14	IPU 212 - SUBSTATION 140	Flokkur nr.: Blað nr.: Nasta bl.nr.:
									Hannað / Designed HFB	Tekin / Drawn HFB/AFV
								Verktaki / Supplier HRV	DETAILS	5090
								Tekn.nr.verktaka / Supplier drw.no. IDP-212-DA-062-015	FORMWORK	AKS
								Staðfest / Approved HFB	RioTintoAlcan	ISAL Tekn.nr. ISAL /Drw.no. of ISAL Breyt./Rev
								Hluti af. / Part of:		C
										ISAL Tífrunð og skráð, dags / ISAL Checked, date ISAL Samþykkt, dags / ISAL Approved, date