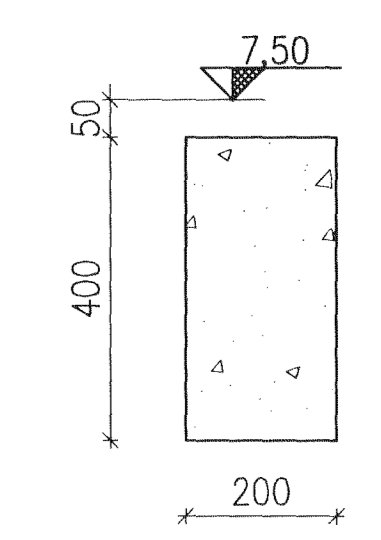
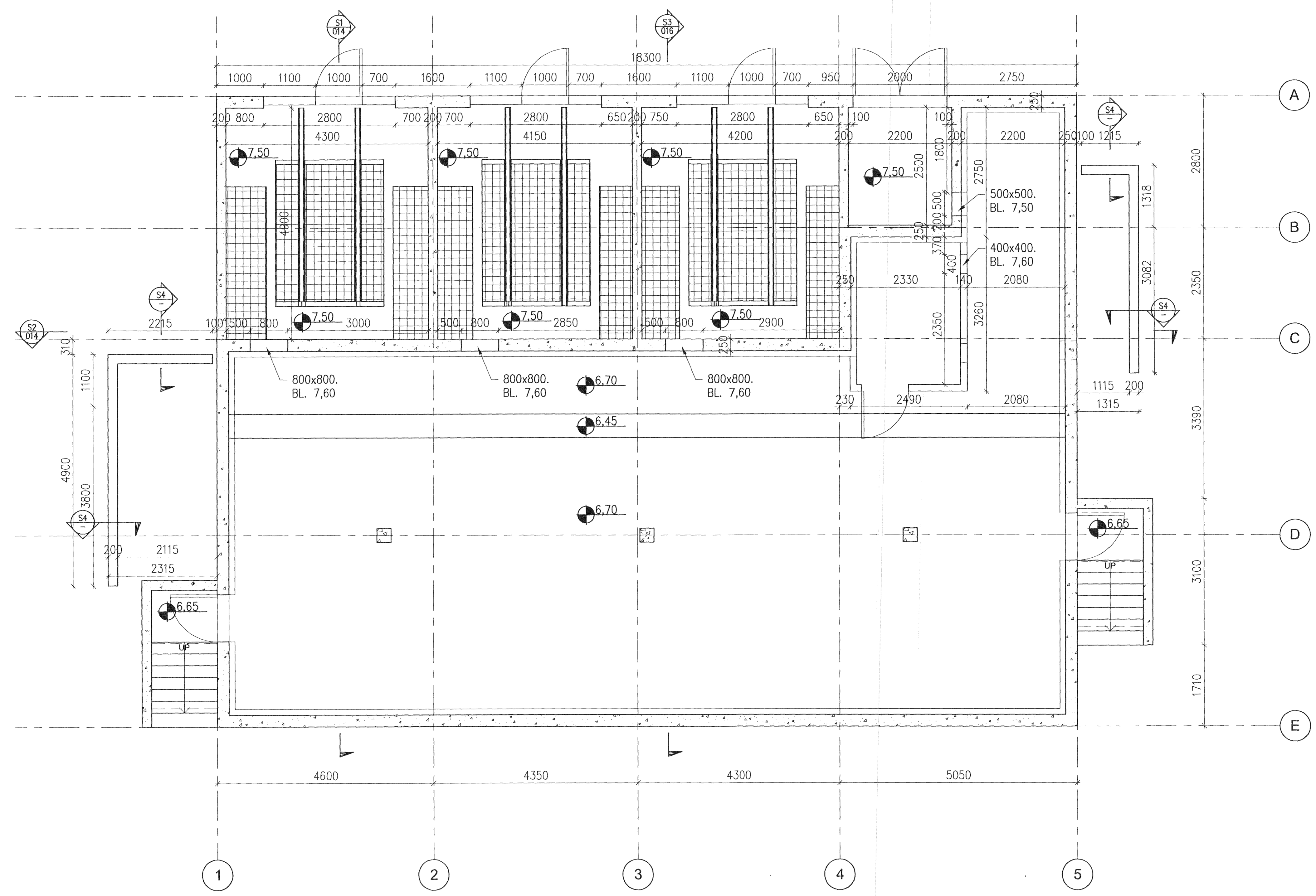
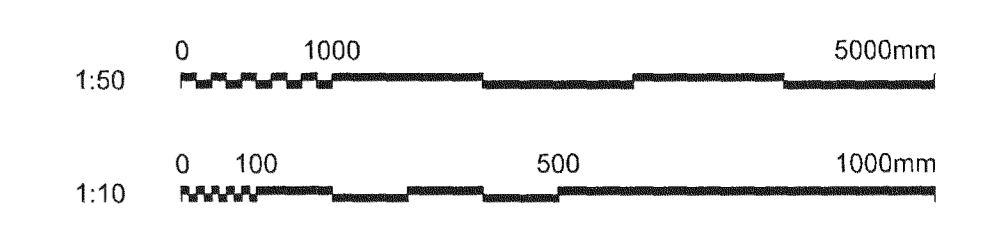


Níels Indriðason  
 N1 131144 2949



S4 SECTION  
 - 1:10

PLAN, LEVEL 7.50, 1:50



Skýringar: Legend:	This drawing is the property of Rio Tinto Alcan Iceland Ltd. and handed out for personal use only. It may neither be copied nor made available to others without permission of Rio Tinto Alcan Iceland Ltd. The receiver is liable for any misuse.					<b>HRV</b> ENGINEERING	Dagsetning / Date 2011.02.14		IPU 212 - SUBSTATION 140 GENERAL LAYOUT TRANSFORMER ROOMS, PLAN			Flokkur nr.: Blað nr.: Nasta bl.:
	Start: A1 Miv: 1:50, 1:10 Dimensions without tolerances according to ISO 2768-1 medium.						Tekn. / Drawn HFB / AFV		Formwork			Kostn.nr.-Ceno. / Bón.nr.-Eqno 5090
3 Issue for construction		2011.05.13	HFB/LDB	HJH	ÓS	Tekn.nr.verktaka / Supplier drw.no. IDP-212-DA-062-012		RioTinto Alcan			ISAL Alcan Iceland Ltd Straumsvík IS-222 Hafnarforsturi Iceland	ISAL Tekn.nr. / Drw.no. of ISAL Breyt./Rev C
Ótg. nr. Rev no	Lýsing Description	Dagsetning Date	Hrn./Dn Des/Drw	Yfirt Ckd	Nok. heim Suppl. Rel	Nok. heim ISAL Rel	Hluti af: / Part of:		ISAL Yfirbúð og skráð, dags / ISAL Checked, date ISAL Samþykkt, dags / ISAL Approved, date			