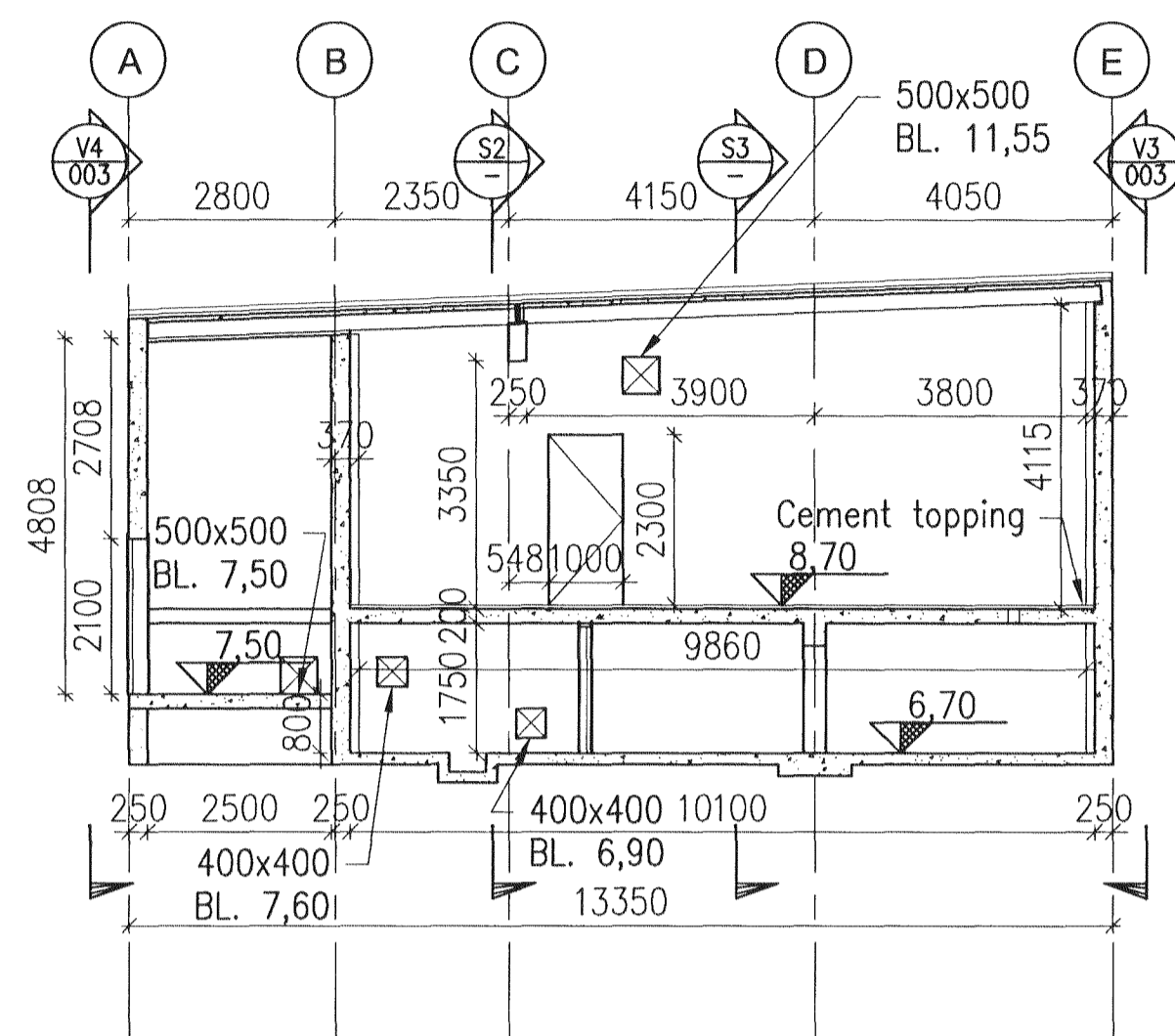
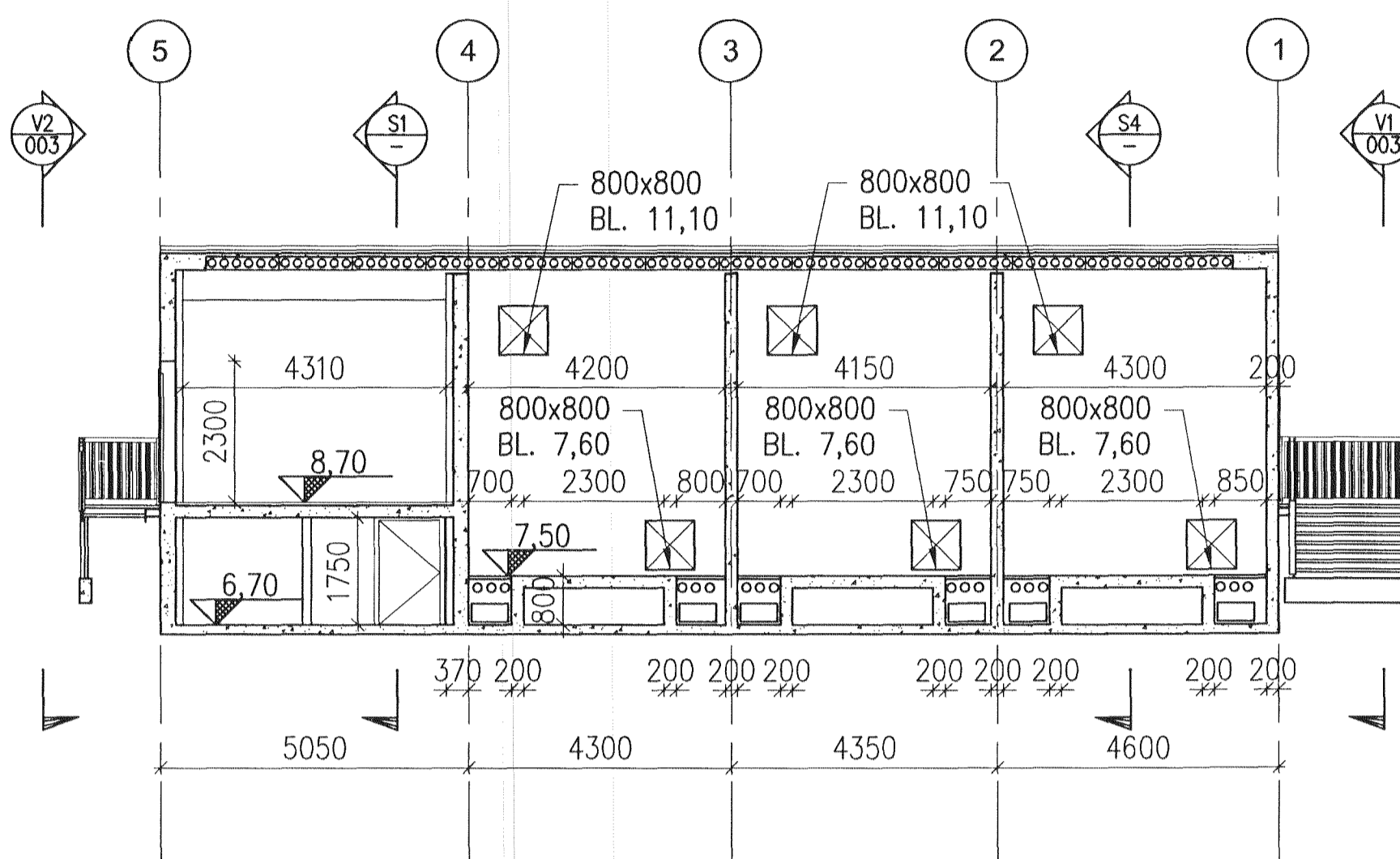


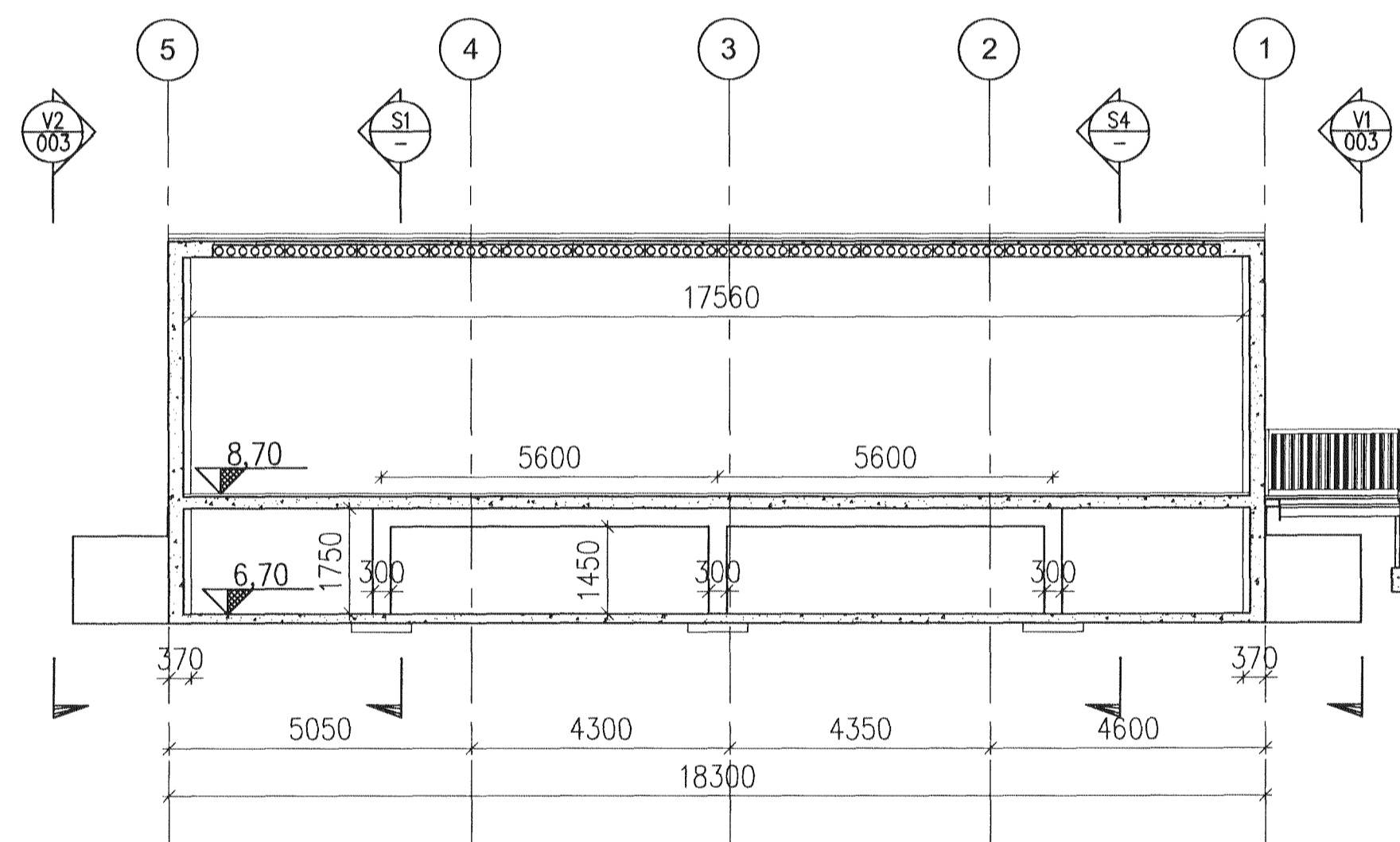
Níels Indriðsson  
 01 131144-2949



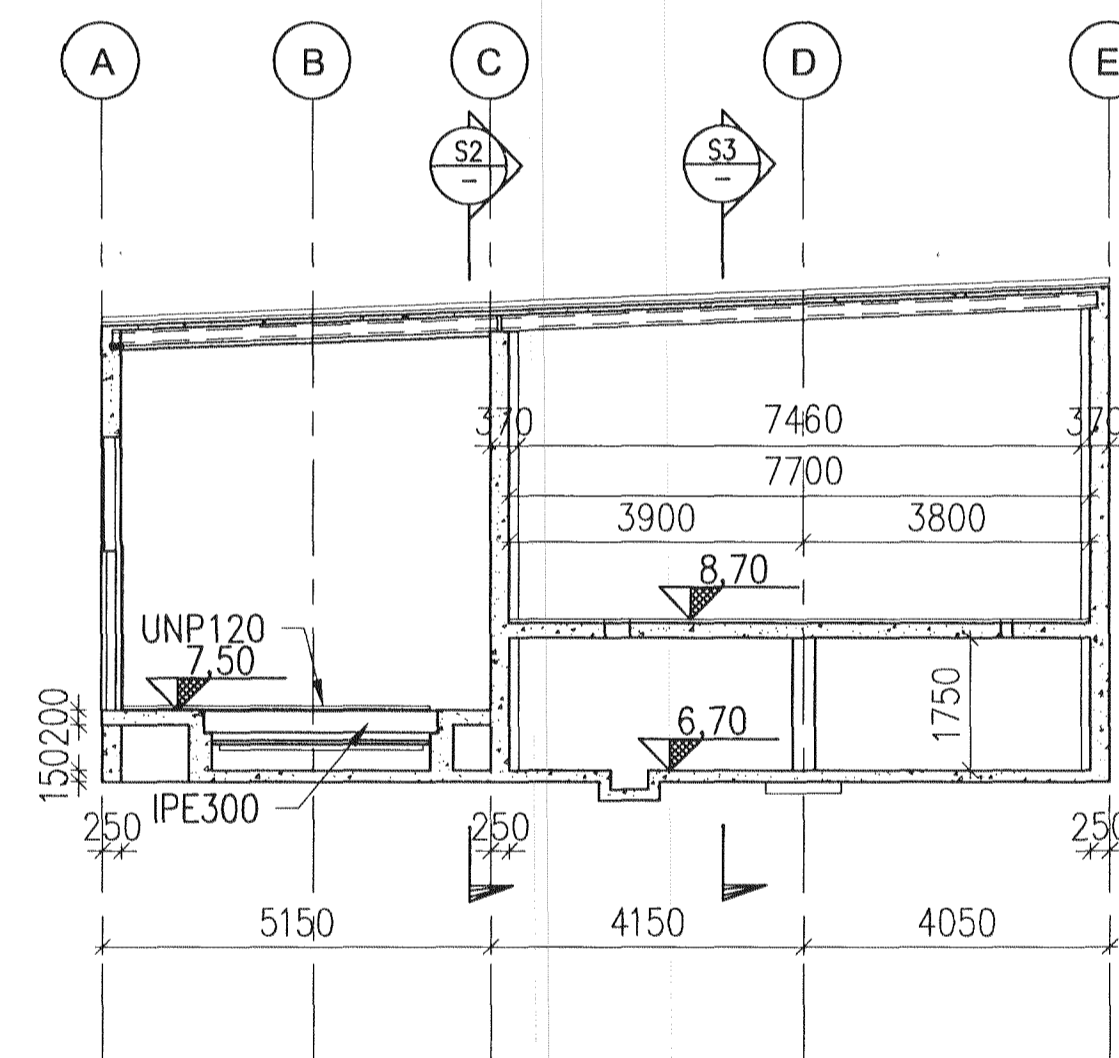
S1 SECTION  
 001 1:100



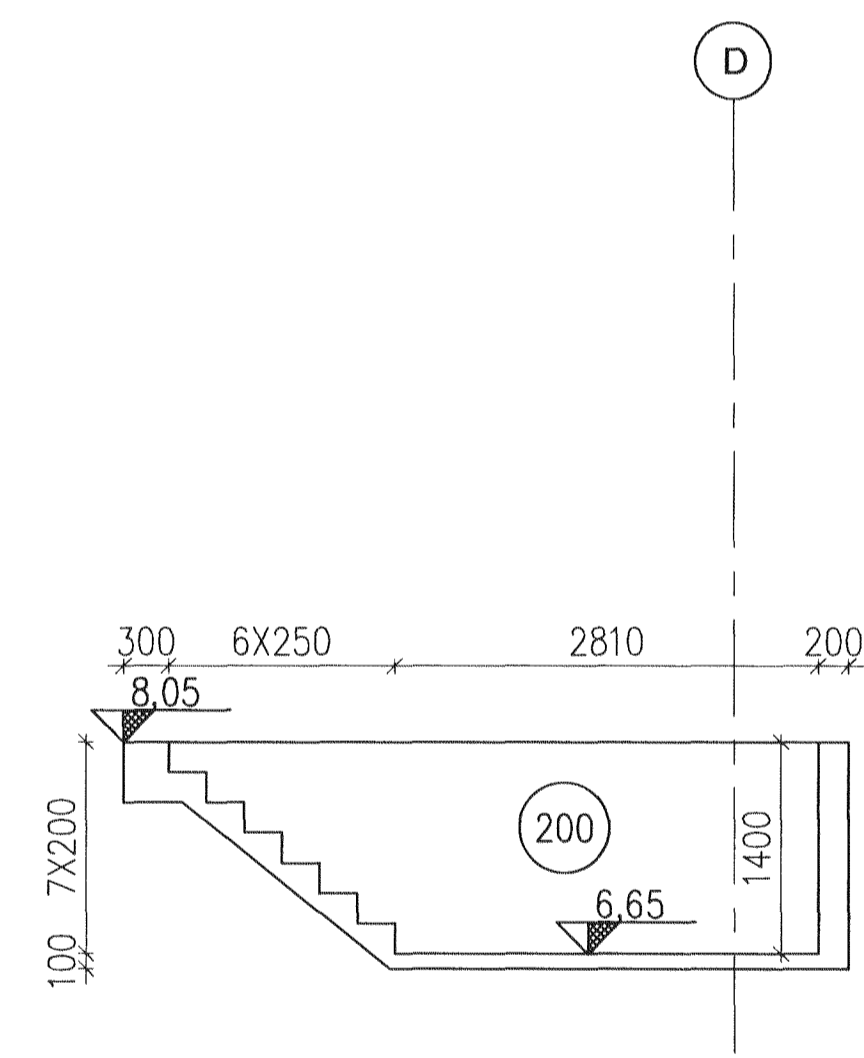
S2 SECTION  
 001 1:100



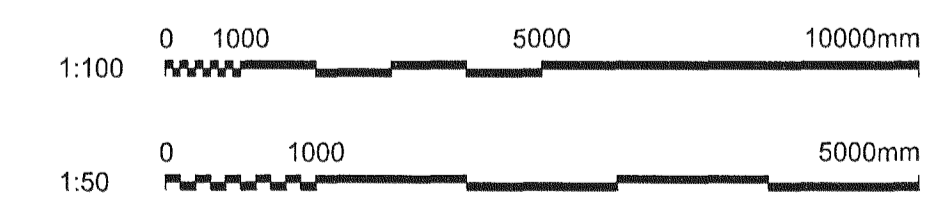
S3 SECTION  
 001 1:100



S4 SECTION  
 001 1:100



S5 SECTION  
 001 1:50



Skýringar:  
 Legend: BL: Bottom level of opening.

Útg nr	Lýsing	Dagsetning	Han/Þka	Yfirl	Notk heim	Notk heim
Rev no	Description	Date	Des/drw	Chk	Suppl	ISAL Ret
3	Issue for construction	2011.05.13	HFB/LDB	HJH	ÓS	

This drawing is the property of Rio Tinto Alcan Iceland Ltd. and handed out for personal use only. It may neither be copied nor made available to others without permission of Rio Tinto Alcan Iceland Ltd. The receiver is liable for any misuse.

Scale: 1:100 1:50  
 Dimensions without tolerances according to ISO 2768-1 medium.



Dagsetning / Date	2011.02.14
Hannað / Designed	HFB
Teikn / Drawn	HFB/AFW
Verktaki / Supplier	HRV
Tekn.nr./verktaka / Supplier drw.no.	IDP-212-DA-062-002
Sambúið / Approved	Yfirl / Chkd
Hliuti af / Part of:	

IPU 212 - SUBSTATION 140  
 GENERAL LAYOUT  
 SECTIONS  
 OVERVIEW

**RioTinto Alcan**

Flokkur nr.:	Blað nr.:	Næsta bl. nr.:
5090		
Kostn.nr.-Cctn. / Bón.nr.-Eq.no	AKS	
ISAL Tekn.nr. ISAL / Drw.no. of ISAL	Breyt./Rev.	
IS-222 Hafnarforður Iceland	C	