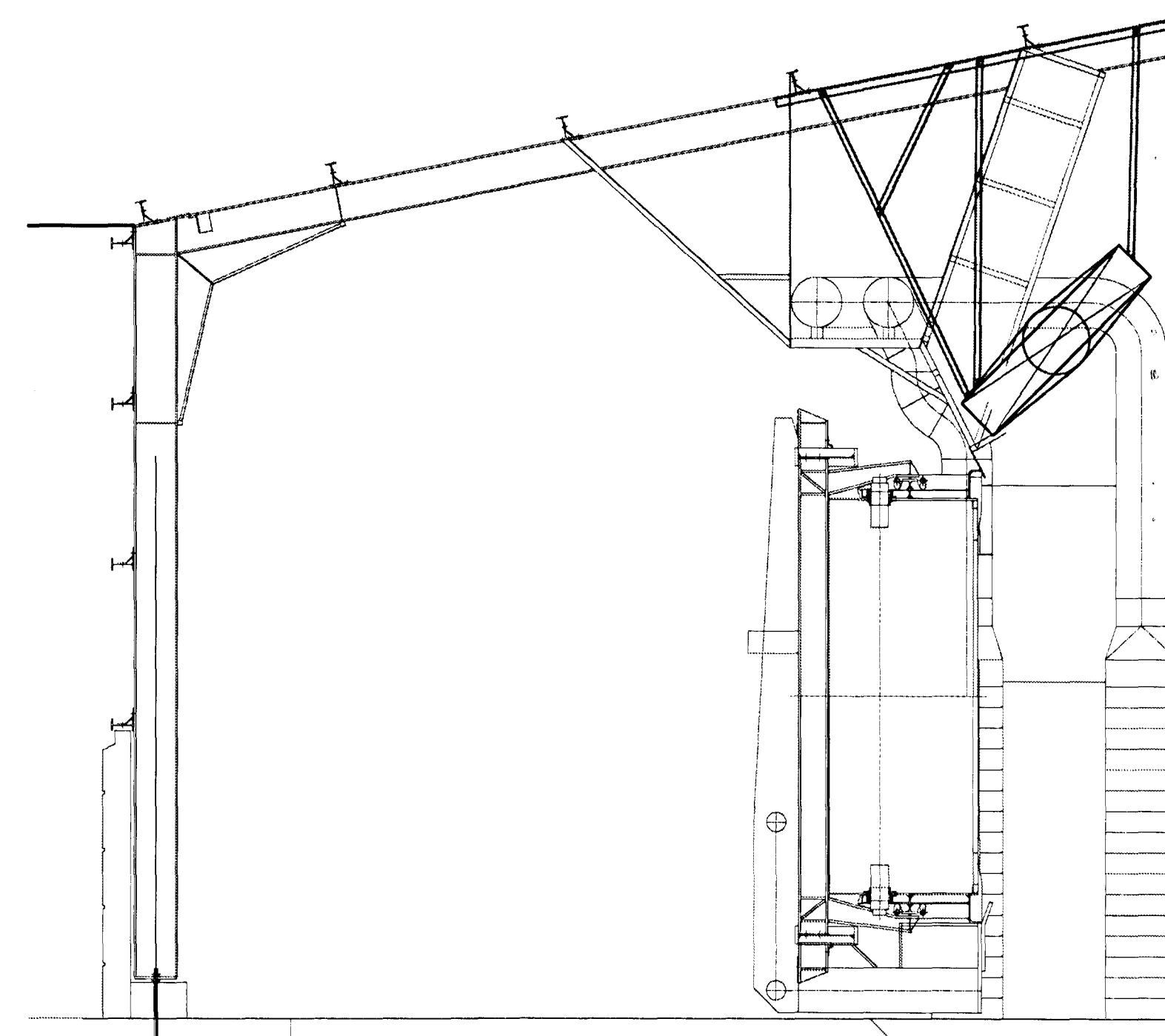
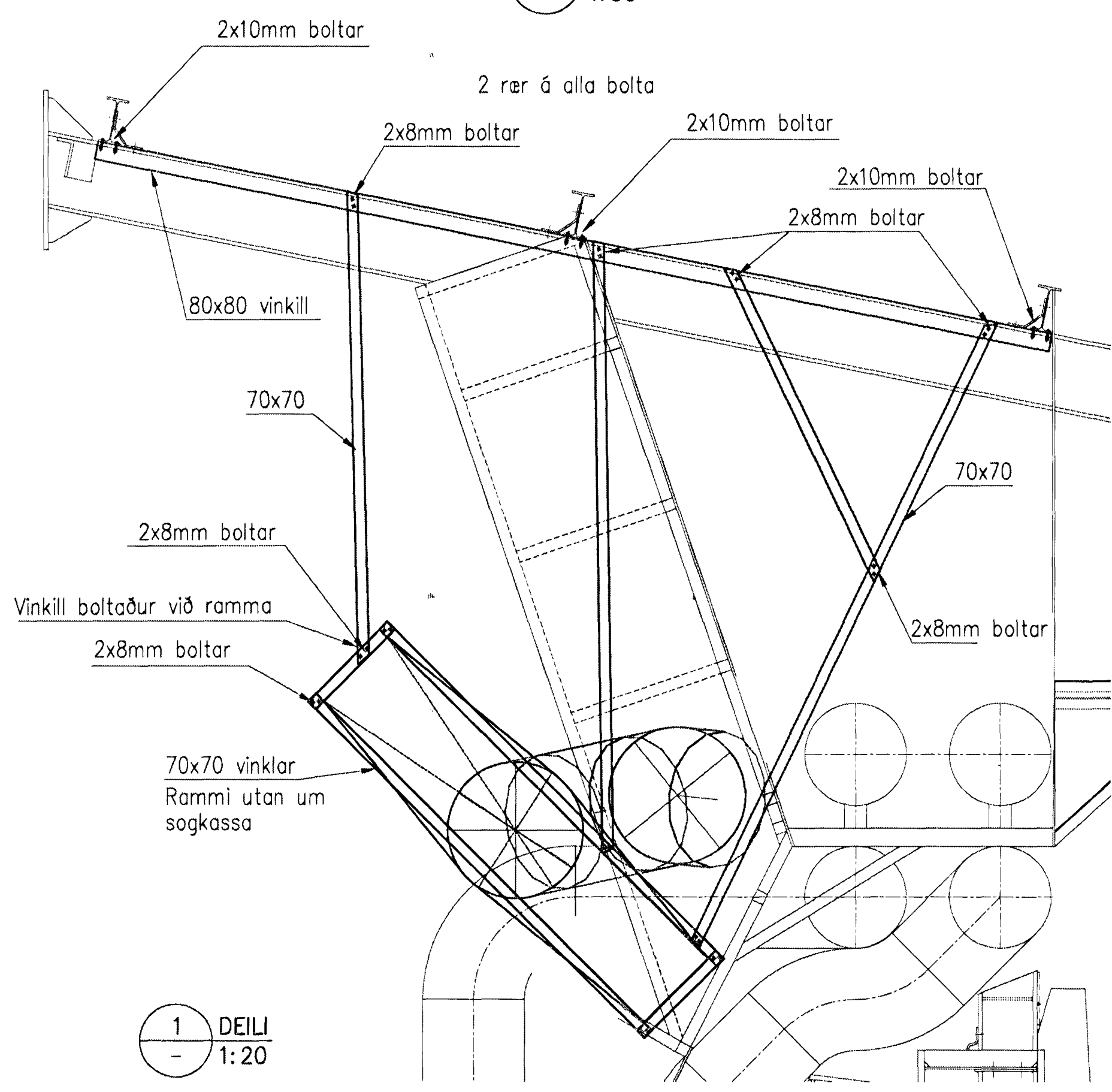


B SNID
171513/1:50

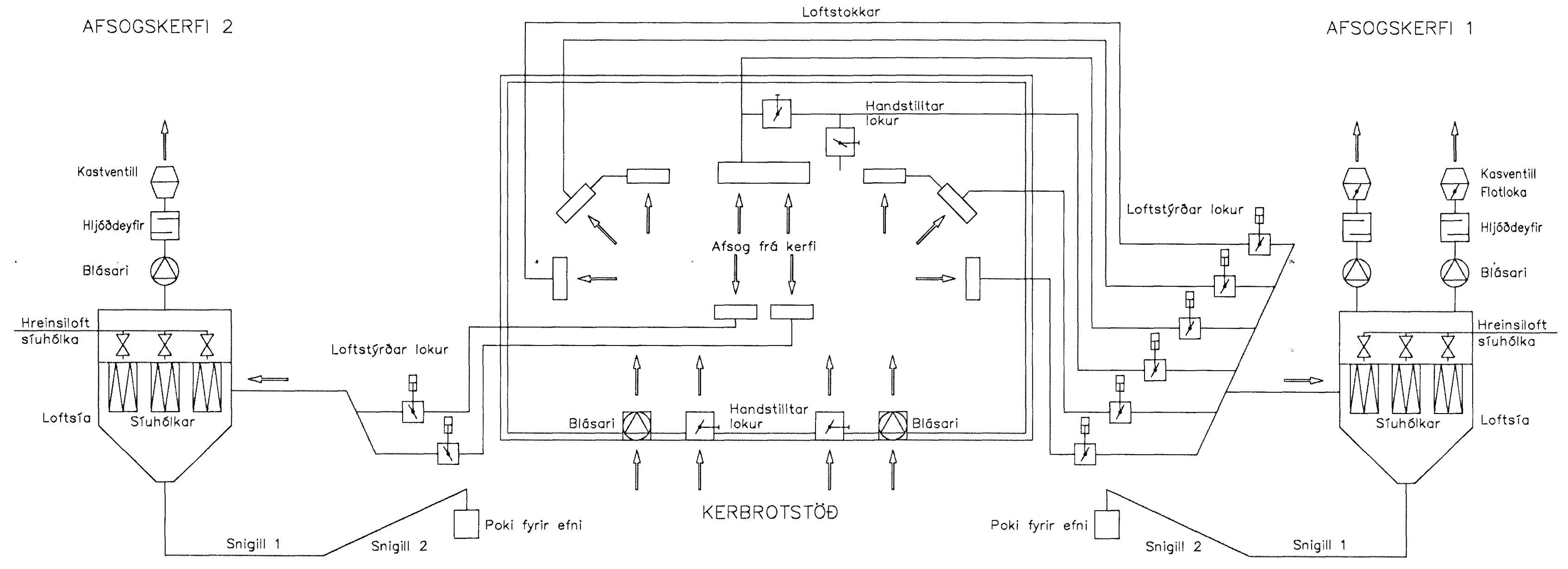


A SNID
171513/1:50

Samþykkt þar
08 MAY 2012
Þrjúgáfultrúnni í Hafnar
F.n. Sigurður Steinar Jónss.



1 DEILI
1:20



SKEMATISK MYND AFSOGSKERFI 1 & 2

Útskýringar: Explanations:	This drawing is the property of Rio Tinto Alcan Iceland Ltd. and handed out for personal use only. It may neither be copied nor made available to others without permission of Rio Tinto Alcan Iceland Ltd. The reader is liable for any misuse. Stærð: A1 Formát: A1 Scale: 1:20, 1:50 Dimensions without tolerances according to ISO 2768-M, medium.		Dagsetning / Date: 2012.03.21	Hlutur / Object: Kerbrötstöð	Alnám / Item: Loftafsgog 2	Eign / Material: Sníð, deili, skematísk mynd	Stik / Eq. / heild / Total Dunna / Weight (kg):	Athugasemdir / Remarks: Flökkur nr.: Blöð nr.: Næsta bl. nr.:
			Hannað / Designed: þJK	Teknað / Drawn: SÍU/þJK	Yfirfarið / Checked: Sambýkkt / Approved: HoH/PRG	Teg. teikningar: Dwg. type: Loftafsgogskerfi	Kostn. nr.: - Acc. No. / Bgm. nr.: - Eq. No.: 5021 16873	AKS nr.: KA6
Nr.: No.:	Vinnuteikning 1	Dags. / Date: 2012.04.18	Samþykkt / Approved: HoH	Notk. heimil. / Released: -	Hluti af / Part of:	ISAL Yfirlið og skráð, dags. / ISAL Checked, date:	ISAL Samþykkt, dags. / ISAL Approval, date:	