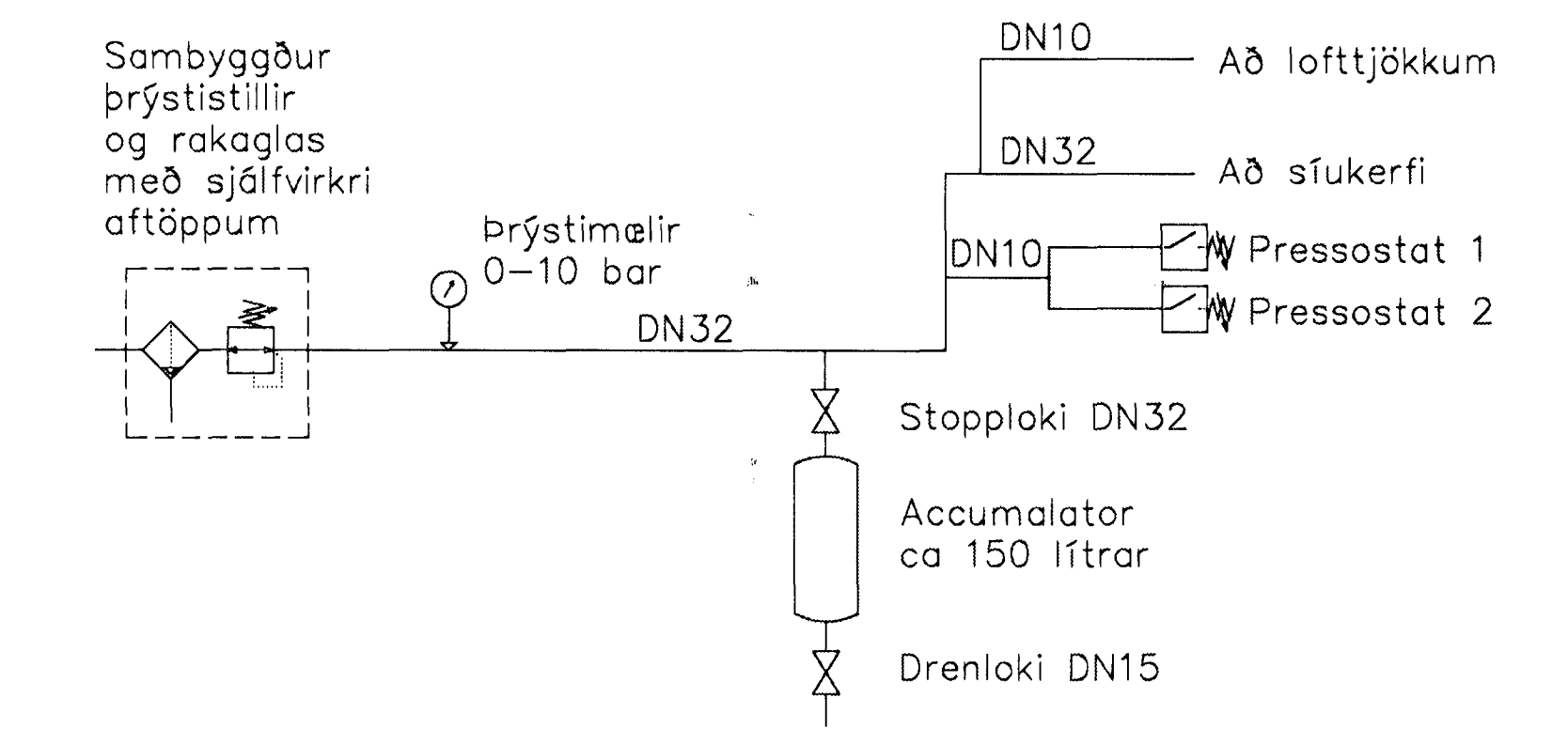
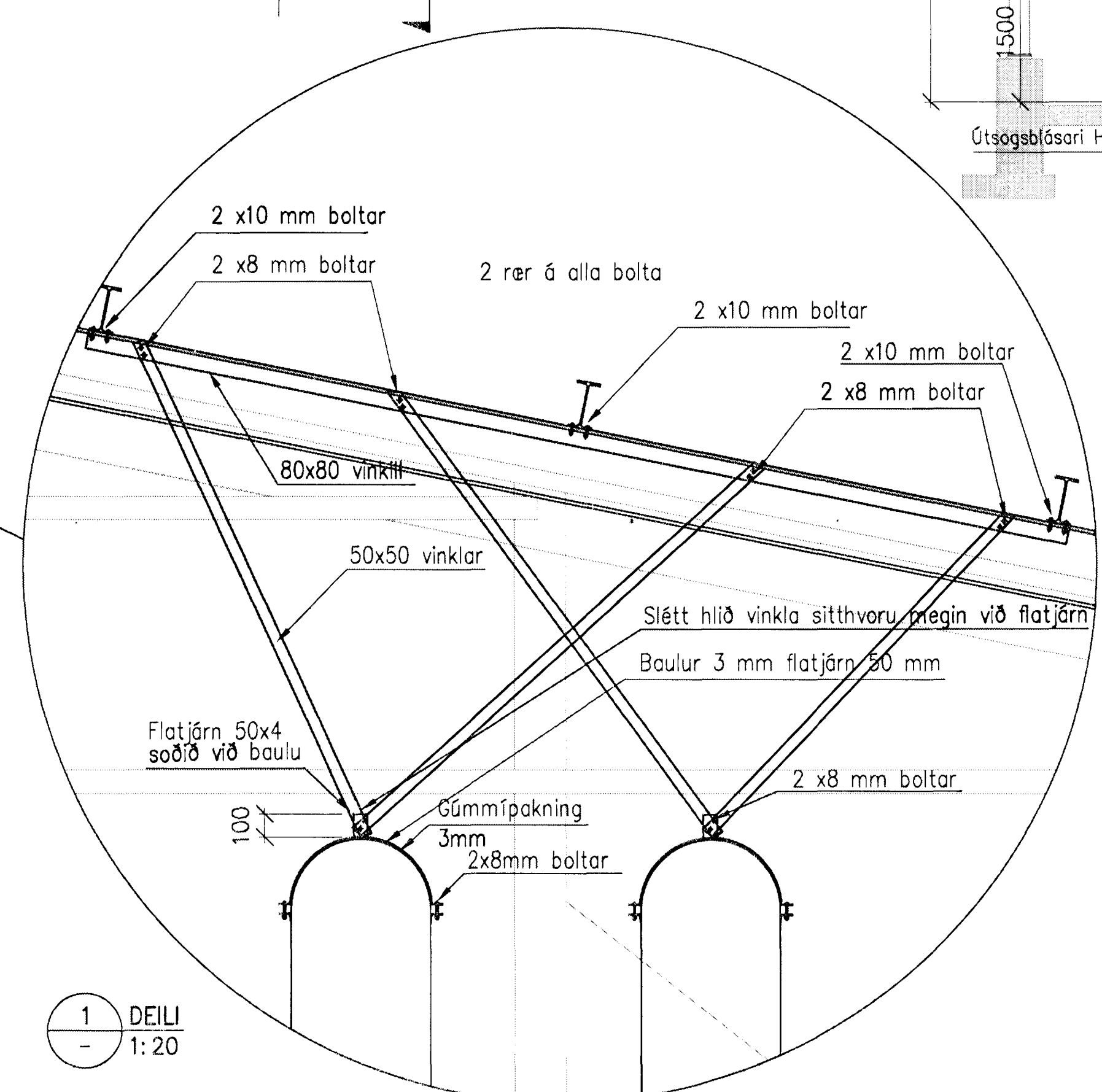
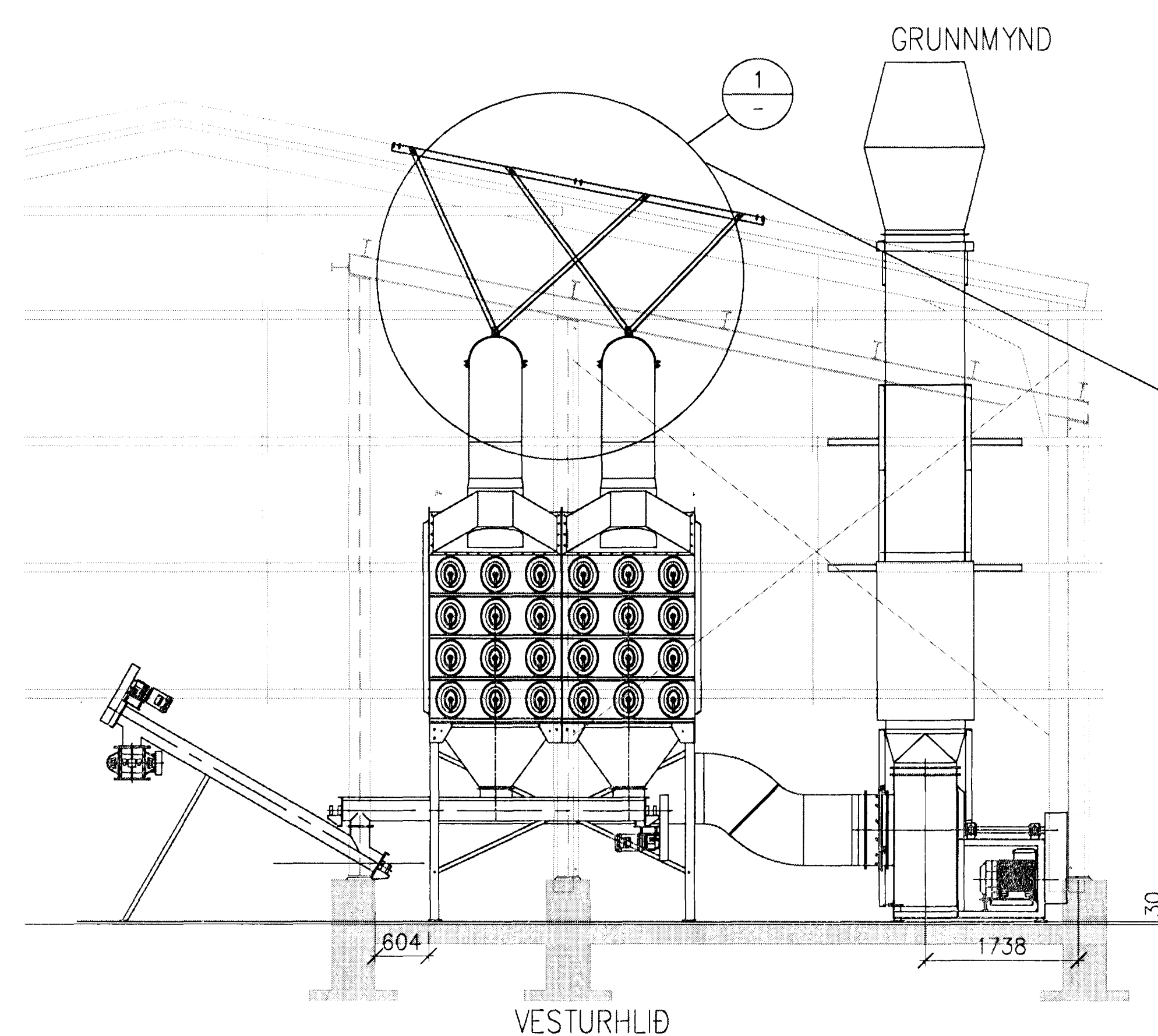
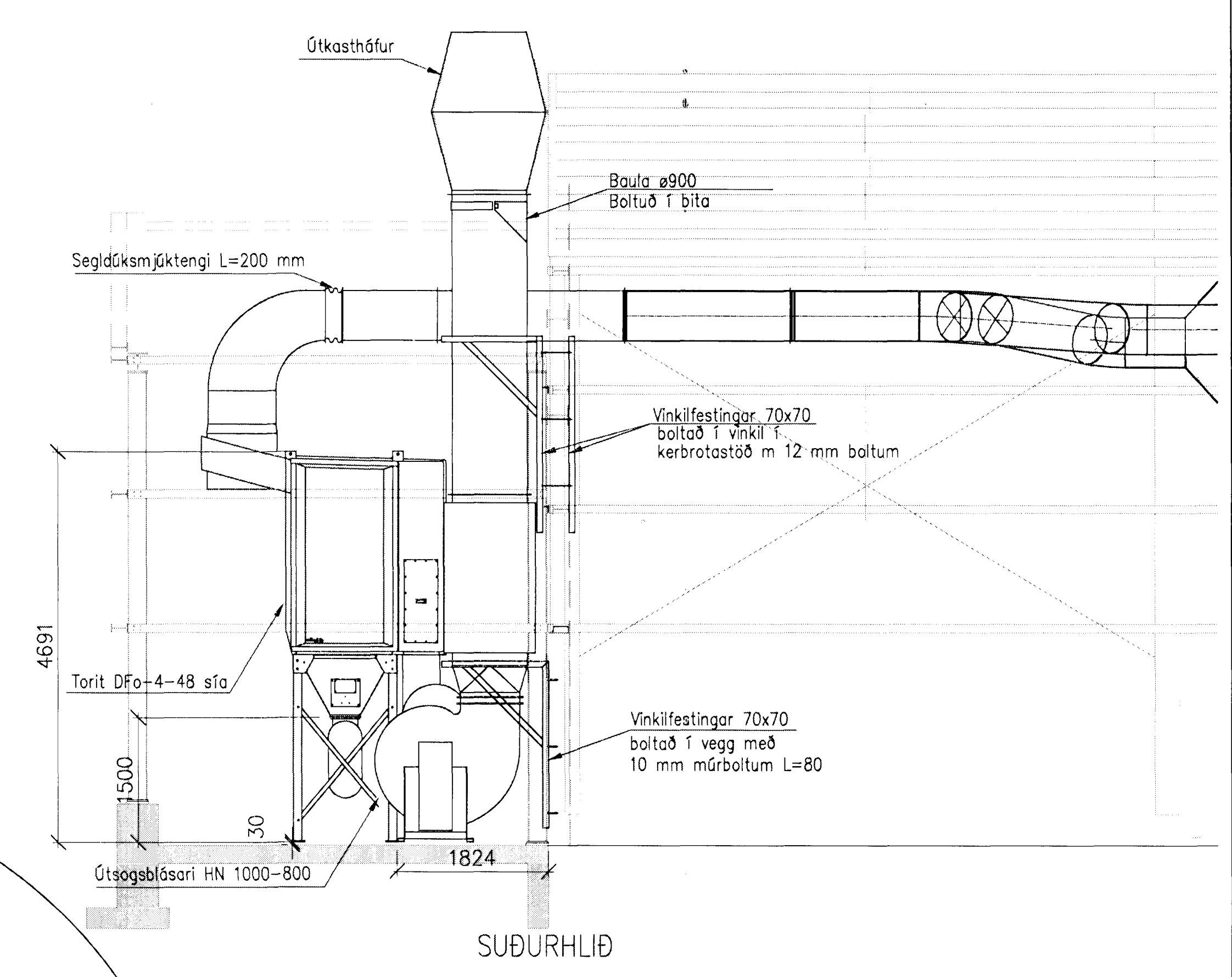
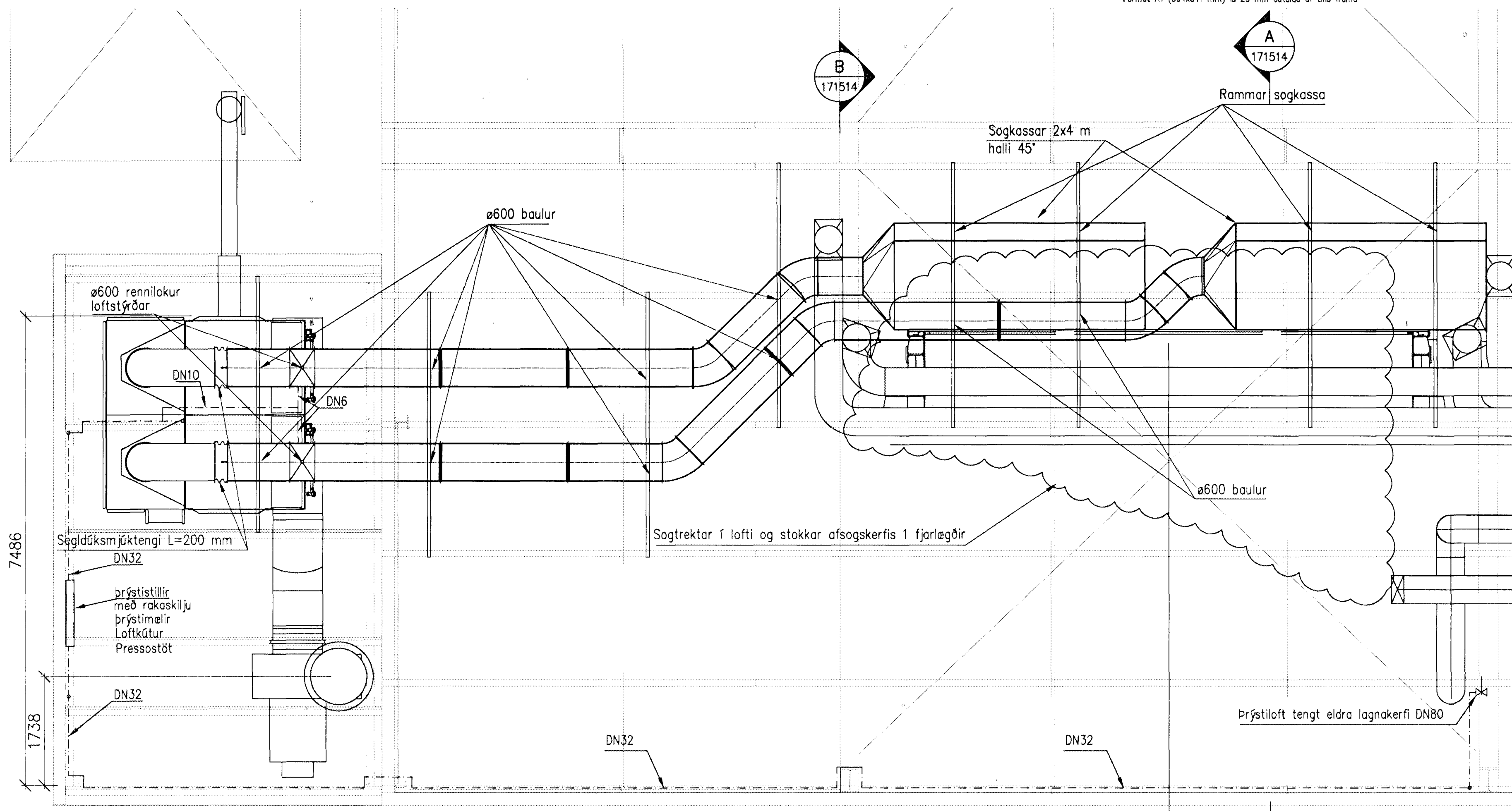


Samþykkt þann
 08 MAY 2012
 Búggjafulltrúinn í Hafnarfirði
 Fri. Sigurður Steinar Jónsson



Útskýringar: Explanations:	1 Vinnuteikning			2012.04.18	Höft		This drawing is the property of Rio Tinto Alcan Iceland Ltd. and handed out for personal use only. It may neither be copied nor made available to others without permission of Rio Tinto Alcan Iceland Ltd. The receiver is liable for any misuse. Skala: A1 Scale: 1:20, 1:50 Dimensions without tolerances according to IS 2188-1 medium.		Dagsetning: / Date: 2012.03.26 Plannað: / Designed: bjK Teiknað: / Drawn: SJU/bJK Vörðun: / Checked: SAMBYKKT / Approved: HOH/PRG Töknunúmer: / Supplier Draw No.: 91038 Hluti af: / Part of:	Kerbrötstöð Loftfagn 2 Grunnmynd, snið og deili Teg.teikningar: Loftafsogskerfi Dwg. type:	Hlutur: / Object: Kerbrötstöð Atrik: / Item: Loftfagn 2 Efnis: / Material: Stál Stök: / Eq.: 1 Hæð: / Height: 210255 Væðing: / Weight: 2515 Althugosemdir: / Remarks: KA6 171513 1
	1 Vinnuteikning			2012.04.18	Höft				ISAL Vörðun og útb. degt. / ISAL Checked, date: ISAL Samþykkt, degt. / ISAL Approval, date:		