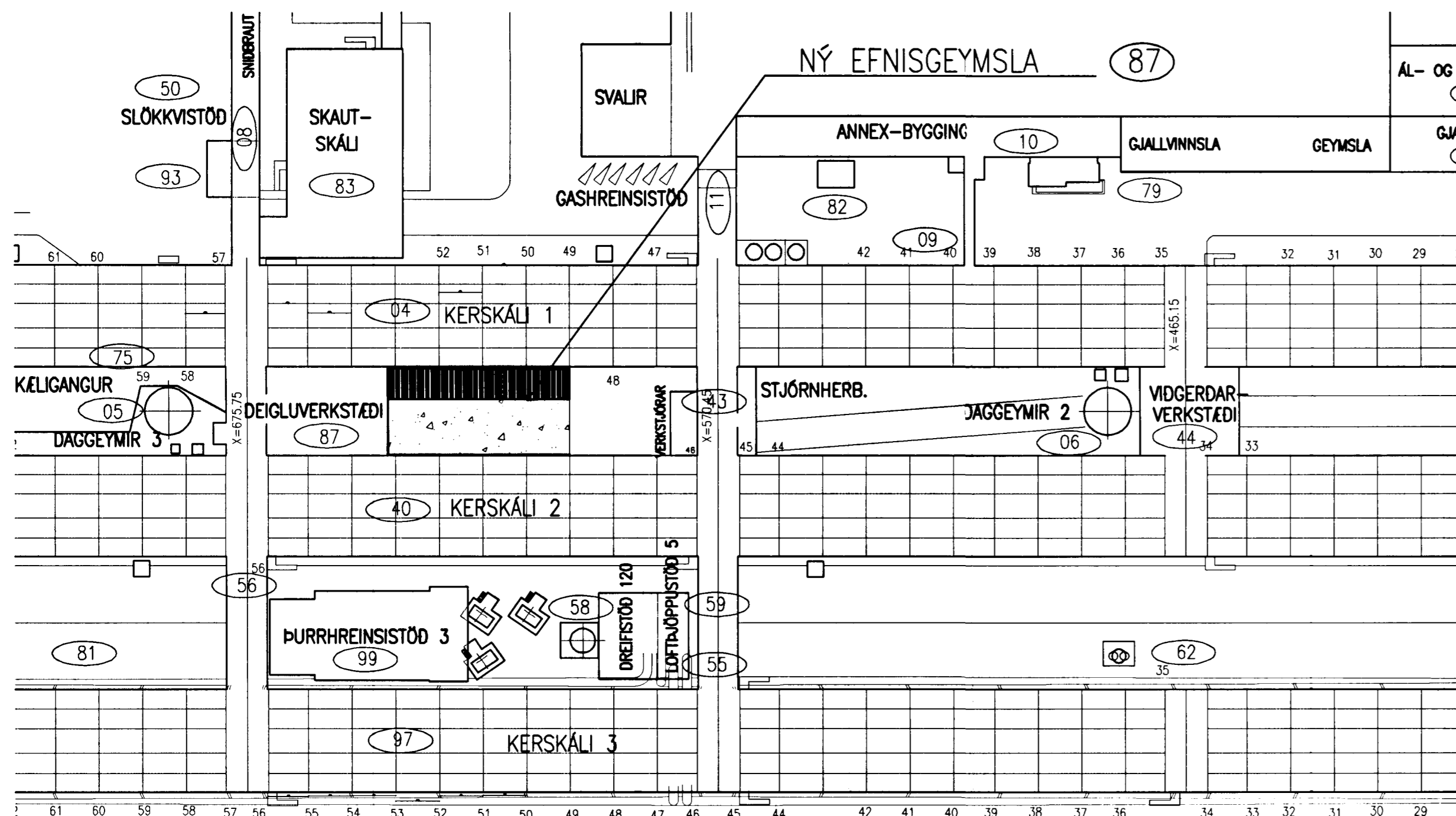
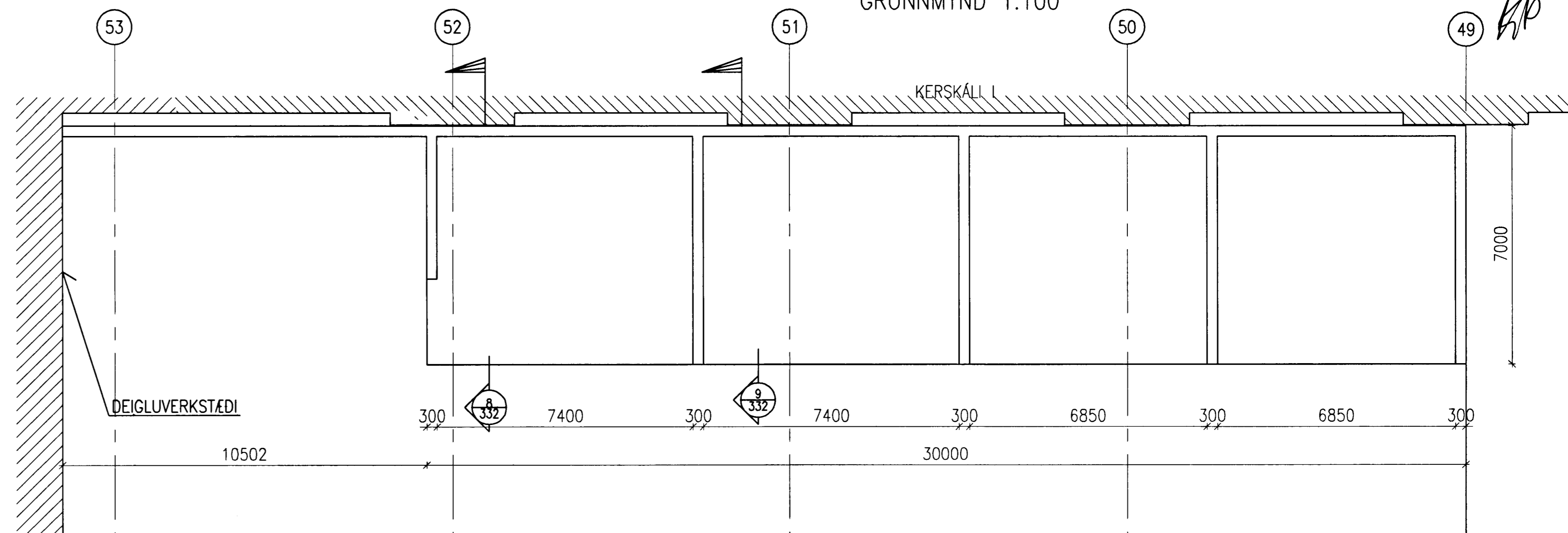


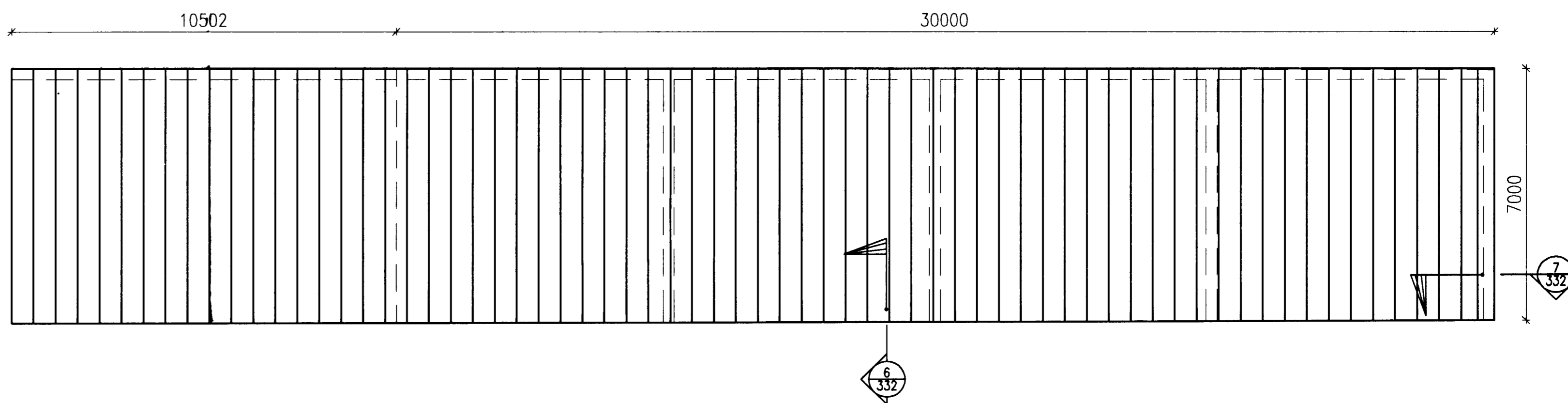
AFSTÖDUMYND 1:1000



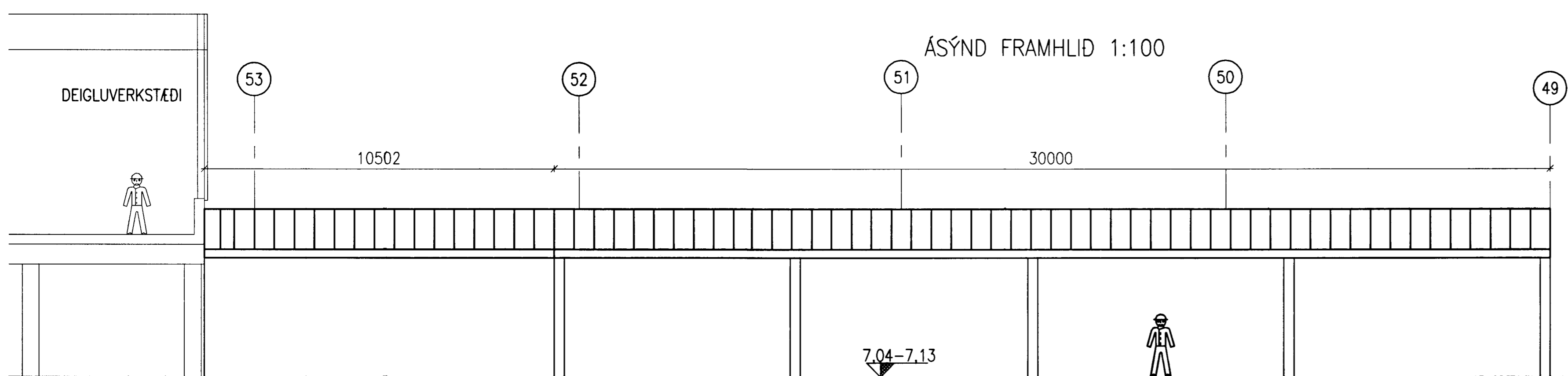
GRUNNMYND 1:100



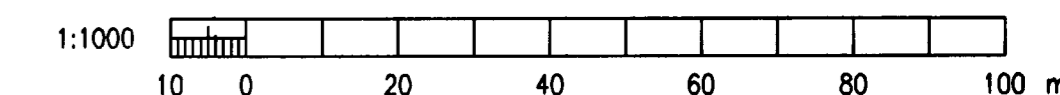
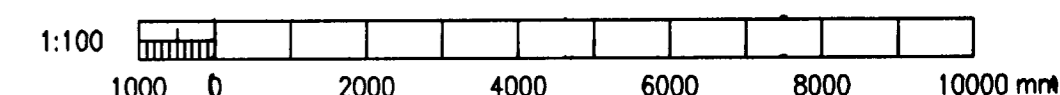
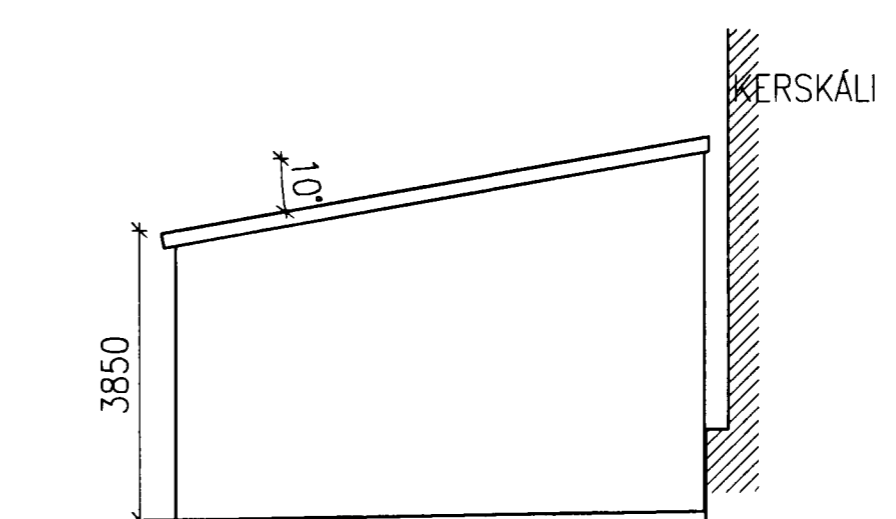
ÞAK 1:100



ÁSÝND FRAMHLID 1:100



ÁSÝND AUSTURHLID 1:100



ÁTH: Mál skal staðfesta á staðnum áður en smíði hefst.

K:\2003.01\10\05-efnisgeymsla\Teikn\168331-168336.DWG

Skýringar:
Explanations:

VST Verkfræðistofa
Sigurðar Thoroddsen hf.
Ármula 4, 108 Reykjavík Sími: 569 5000 Fax: 569 5010

This drawing is the property of the ICELANDIC ALUMINIUM CO. LTD. and handed out for personal use only. It may neither be copied nor made available to others without permission of the ICELANDIC ALUMINIUM CO. LTD. The receiver is liable for any misuse.		Fjöldi stýkka Number of pieces IV III II I	Hiður Object MILLIGEYMSLA FYRIR RAFLAUSNAREFNI MHL. 87 BYGGINGARTEIKNING ÓTLITS- OG MÁLTEIKNING	Atriði Item MHL. 87	Efni Material MHL. 87	Eign Weight (kg) 5026 13FB 70	Heild Total 2003-0110/5.01 A	Athugasemdir Remarks Mestkvæði Scale A1 Stærð frumteikn. Format of orig. CCno.-Eq.type-Eq.no.
A VERKTEIKNING		29.08.2003	HFB	VST	VST	VST	VST	VST
Brýtl. Rev.	Brýting Revision	Dags. Date	Samb. Approved	Yfirfarið Checked	Niðanf. / Drawn	Samþykkt Approved	Dags. Date	Dags. Date
Tíu-teikningar nr. ISAL Ref. drawing no. of ISAL		Samsetning-teikningar nr. ISAL Assembly drawing no. of ISAL		ALCAN PRIMARY METAL GROUP ISAL Alcan Iceland Ltd		Straumsvík IS-222 Hafnarjörður		168331 A