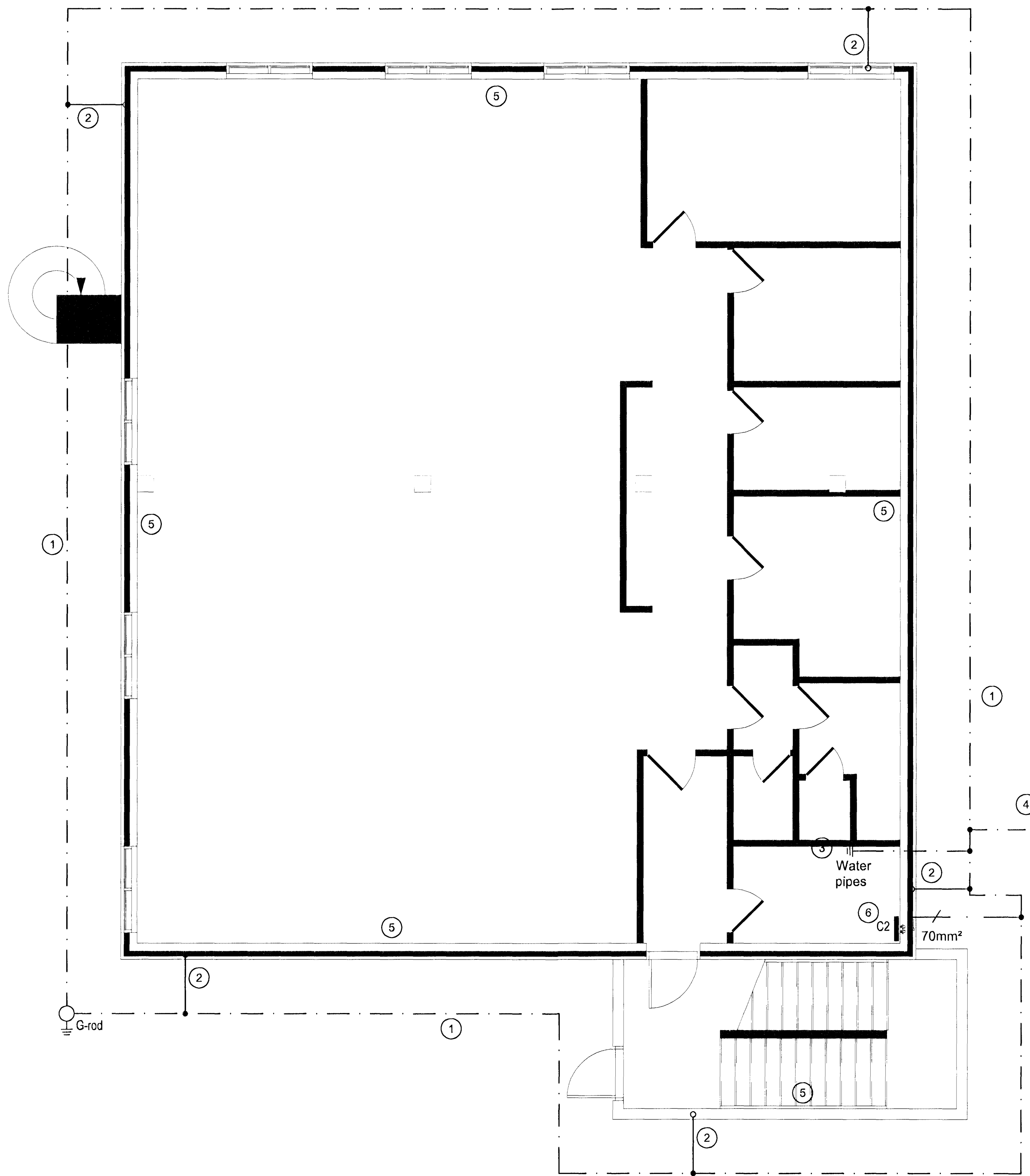
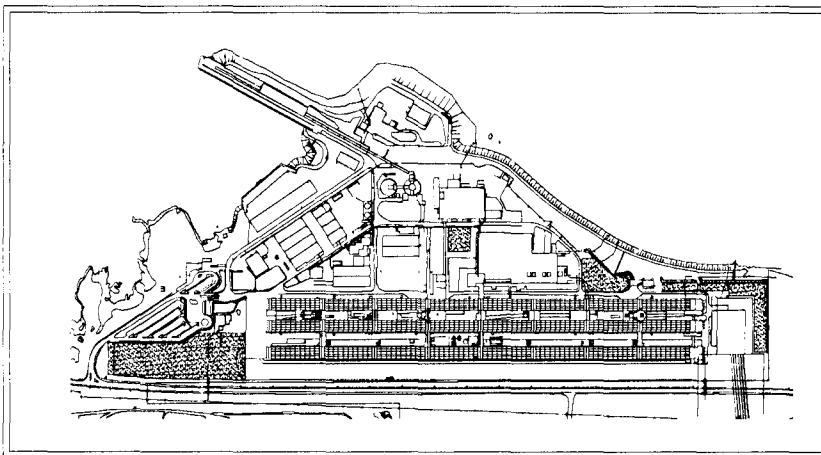
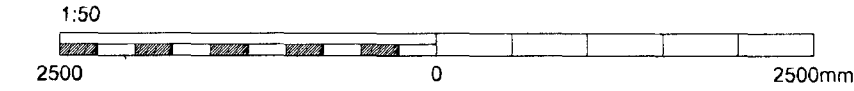
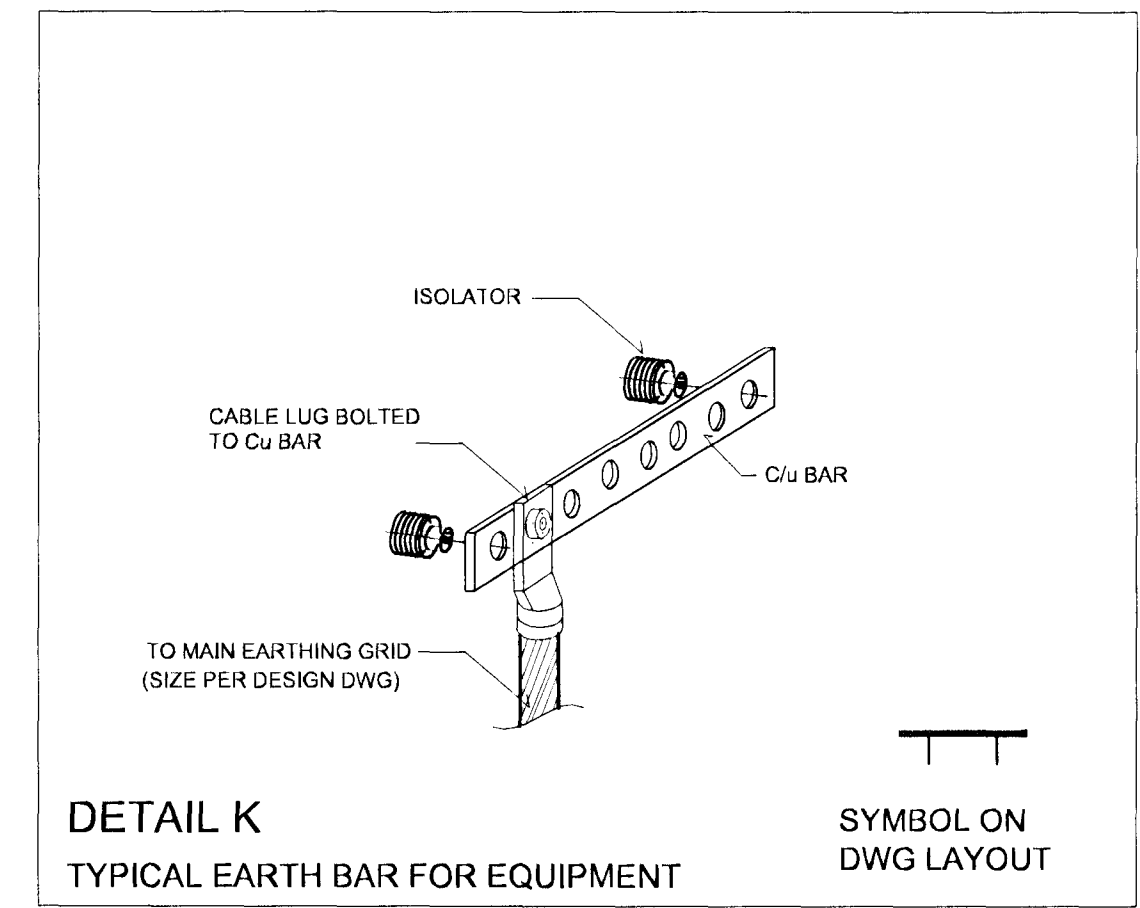
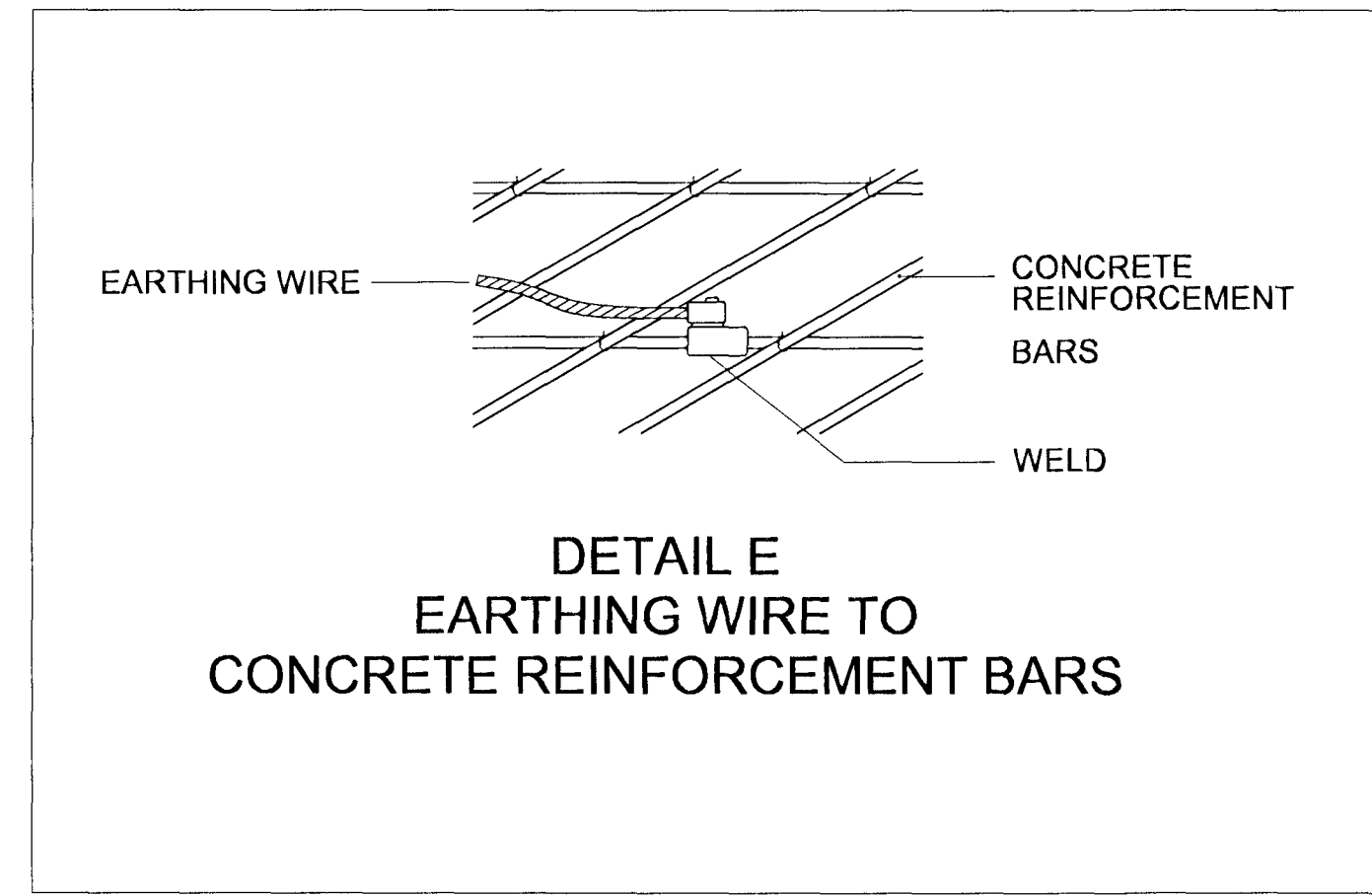
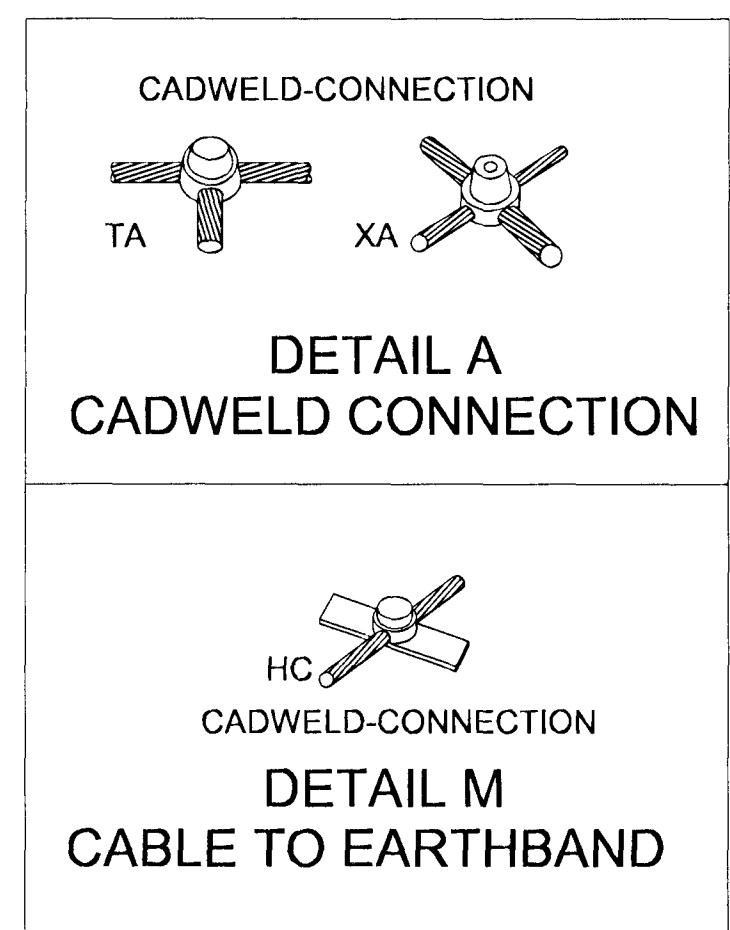
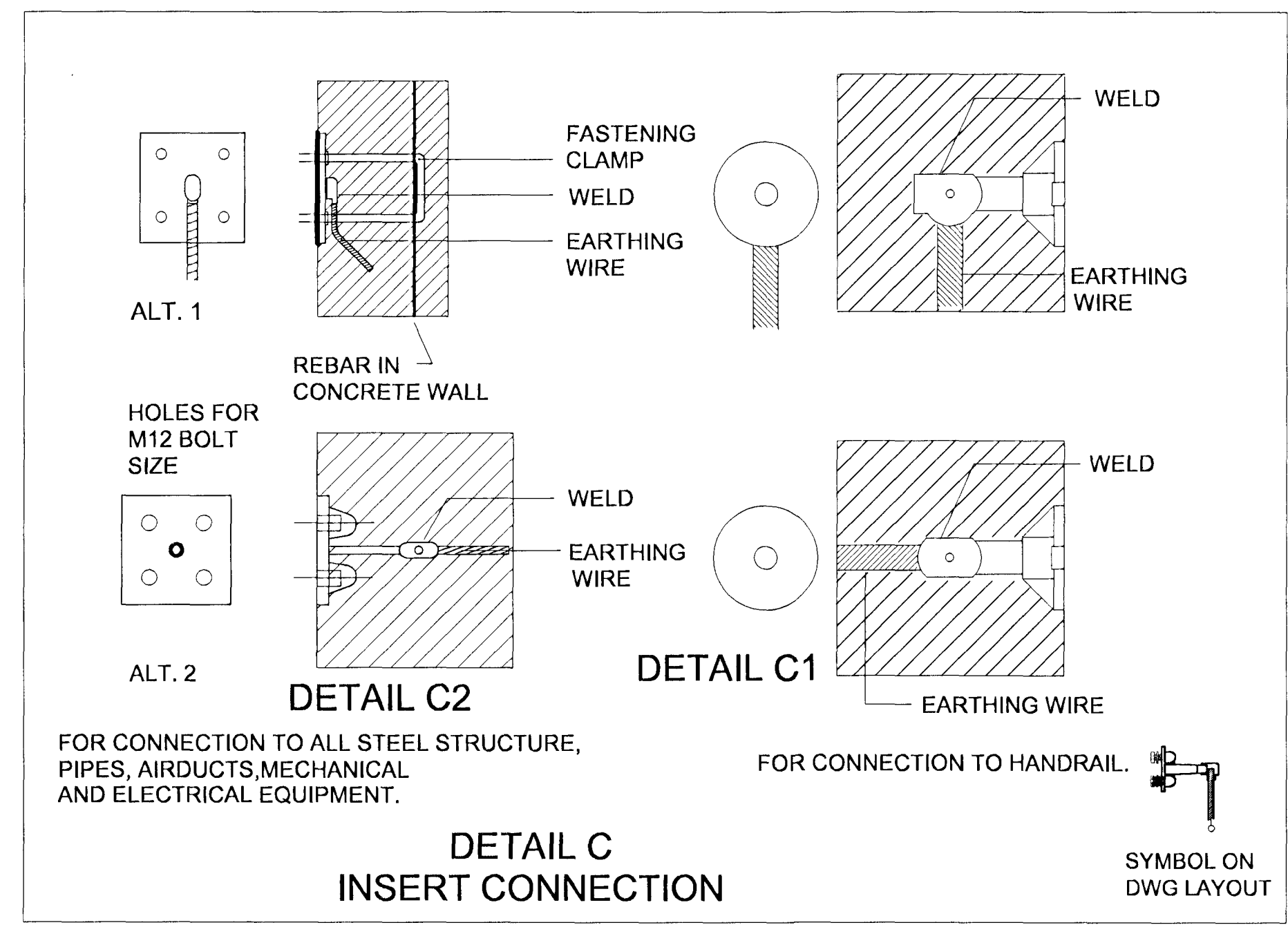


23/9 '11

Níel Indústríal
18/11 2011



LEGEND:



- Skýringar: Legend:
- ① Earthing ring 150mm² Cu wire on foundation bed, 1m outside building fundaments.
 - ② φ 150mm² Cu wire connection to concrete reinforcement bars in foundation, see detail E
 - ③ 50mm² Cu wire connection to pipes in technical room.
 - ④ Earth wire connected to earth bar in basement, see drawing IPU-872-FB-507-001
 - ⑤ Rebar clamps in two lowest rebar in foundation walls.
 - ⑥ Earthbar on wall length 300mm height from floor 500mm, see detail C2 & detail K

Útg nr / Rev no	Lýsing / Description	Dagsetning / Date	Hun/Ún / Des/Drw	Yfir / Dkd	Notk heim / Suppl Rel	Notk heim / ISAL Rel
4	UPDATE DRAWING	2011.09.08	ARE	AA		
3	Change connection to existing earth grid	2011.04.06	ARE	AA	ÓS	MCBW
2	ISSUED FOR CONSTRUCTION	2011.02.25	ARE	AA	ER	MCBW

This drawing is the property of Rio Tinto Alcan Iceland Ltd. and handed out for personal use only. It may neither be copied nor made available to others without permission of Rio Tinto Alcan Iceland Ltd. The receiver is liable for any misuse.

Stað: Víkiv. Format: A1 Scale: 1:50 Dimensions without tolerances according to ISO 2768-1 medium.

HRV ENGINEERING

Dagsetning / Date: 2010.11.26
 Hannað / Designed: ARE
 Verktaki / Supplier: HRV
 Tekn.nr.verktaka / Supplier drw.no: IPU-872-FH-507-001
 Samþátt / Approved: Yfir / Chkd: AA

IPU 872 – EPCM SITE OFFICE
ELECTRICAL EARTHING LAYOUT

Flakur nr.: Blöð nr.: Nasta bl.nr.:
 Kostn.nr.-Ccnr. / Bún.nr.-Eq.no
 AKS

RioTintoAlcan
 ISAL Alcan Iceland Ltd
 Straumsvík IS-222 Hafnarfordur Iceland

Tekn.nr. ISAL / Drw.no. of ISAL: Breyt./Rev: C

ISAL Yfirbú og skróð. dags / ISAL Checked, date
 ISAL Samþátt. dags / ISAL Approved, date