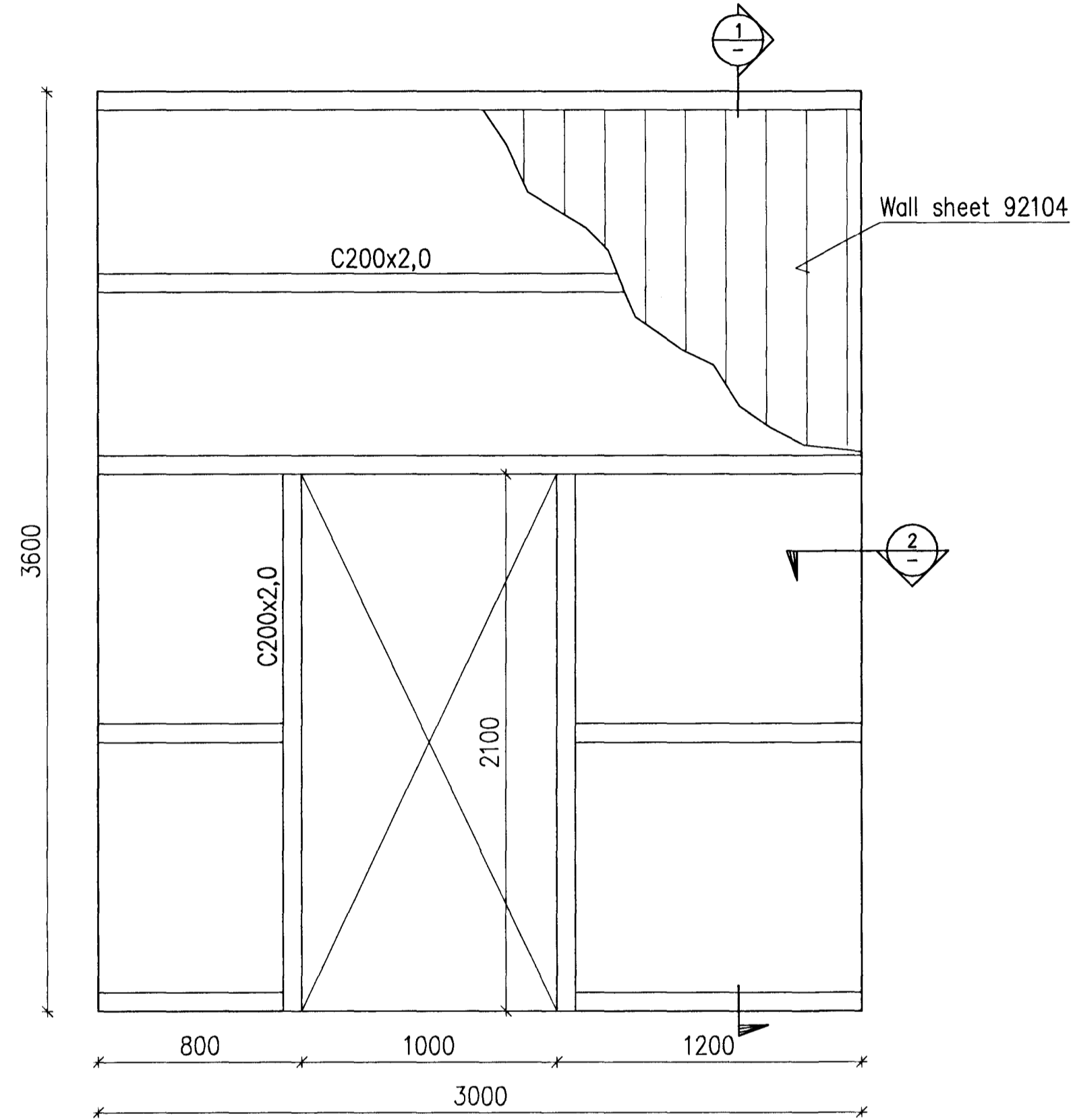
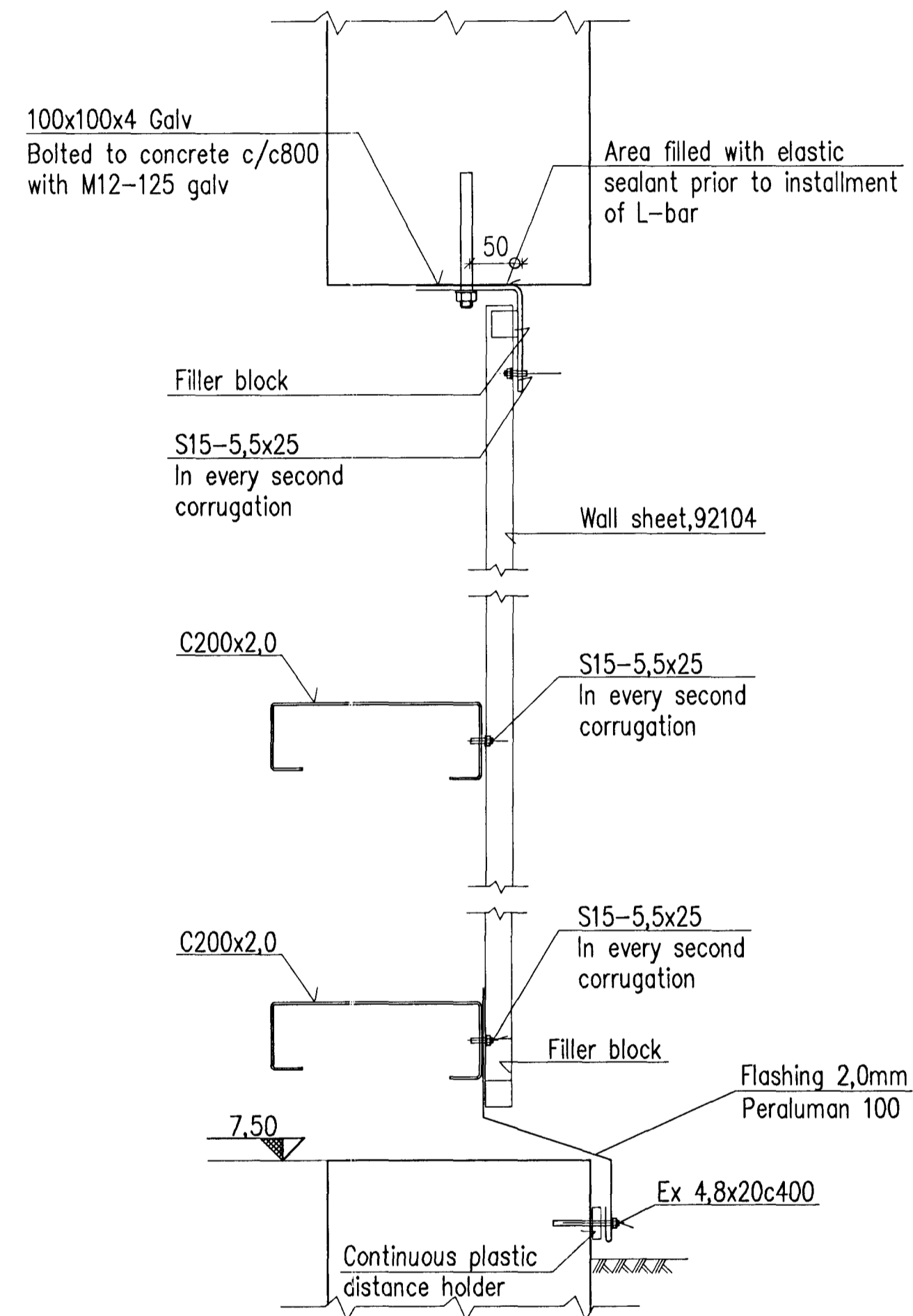


Níels Indriðason
 Kt. 181144-3949

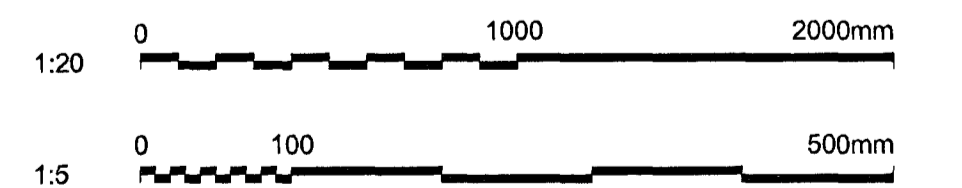
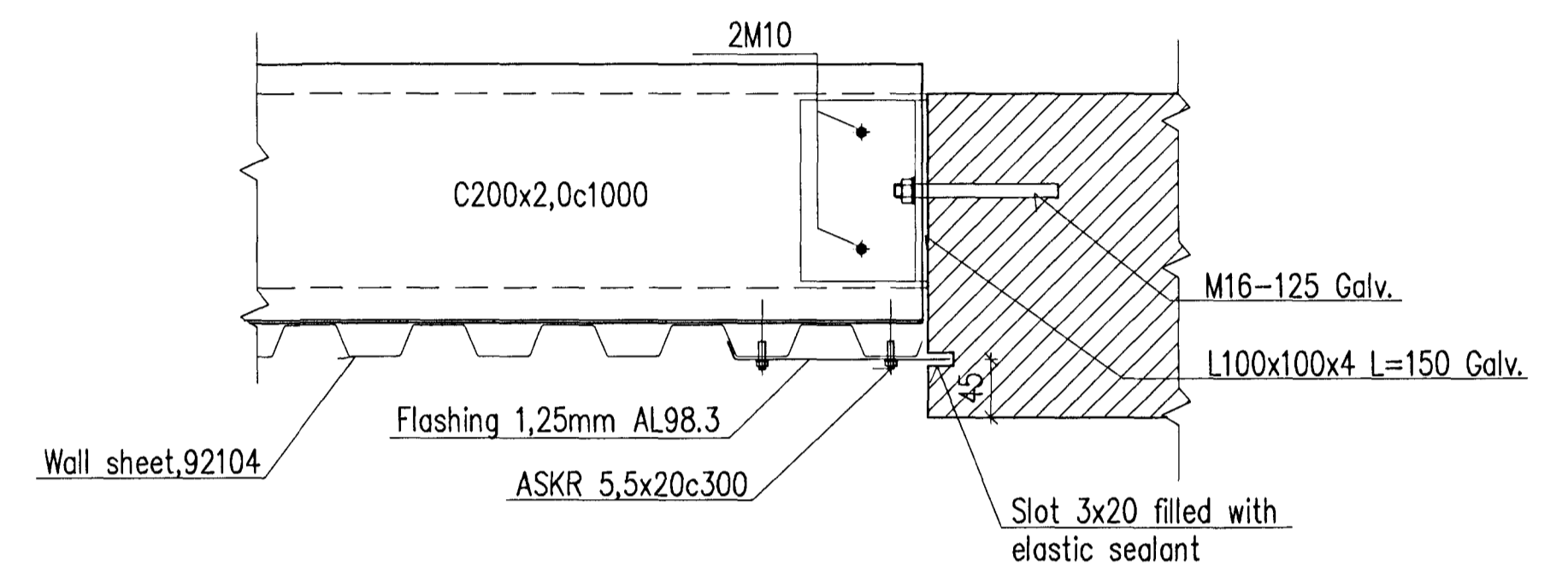
SIDE VIEW 1:20



1 SECTION 1:5



2 SECTION 1:5



Skýringar:
 Legend:

Útg nr / Rev. no	Lýsing / Description	Dagsetning / Date	Hor./Tm / Des./Dra	Yfir / Old	Notk heiti / Suppl. Ref	Notk heiti / ISAL Ref
4	Record drawing	2012.09.20	GMG	NI	PE	HEA

This drawing is the property of Rio Tinto Alcan Iceland Ltd. and handed out for personal use only. It may neither be copied nor made available to others without permission of Rio Tinto Alcan Iceland Ltd. The receiver is liable for any misuse.

Start: A1 Mkv: Scale: 1:20, 1:5
 Format: Dimensions without tolerances according to ISO 2768-1 medium.



Dagsetning / Date	2011.02.14
Ársmátt / Designed	NI
Tekn. / Drawn	ÁFV
Verktaki / Supplier	HRV
Tekn.nr./verktaki / Supplier drw.no.	IDP-212-ZA-062-105
Sambúið / Approved	Yfir / Old
Flúti af / Part of	HJH

IPU 212 - SUBSTATION 140		Flakur nr.:	Bláð nr.:	Næsta bl. nr.:
CIVIL WORK		Koðla nr.-Ceno. / Bón.nr.-Eqno	4011	16406
TRANSFORMER ROOM		AKS	UB140	
STRUCTURAL STEEL		Tekn.nr. ISAL / Drw.no. of ISAL	251429	Breyt./Rev. A
RioTinto Alcan		ISAL Yfirbú og skráð, dags / ISAL Checked, date	ISAL Samþykkt, dags / ISAL Approved, date	