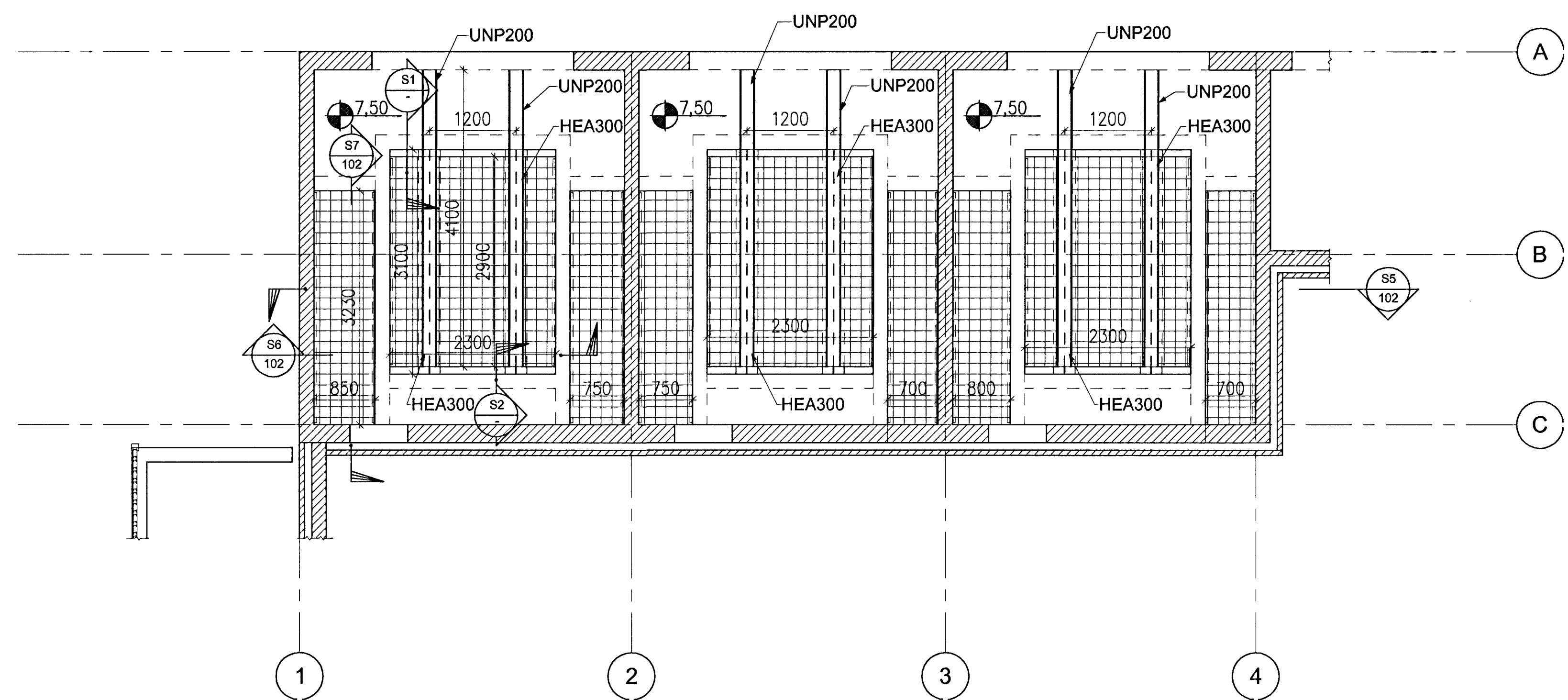
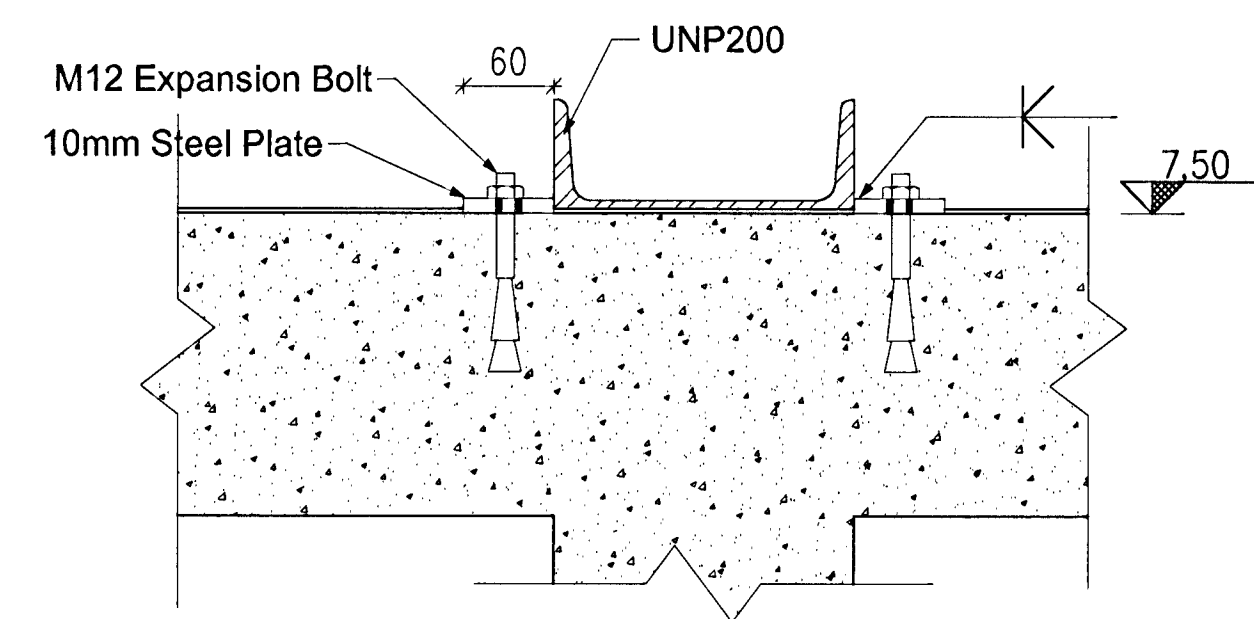


Samþykkt bann
26 OCT 2012
Byggingafrúnni / Hafnarinn
Fh. Sigurður Steinar Jónsson

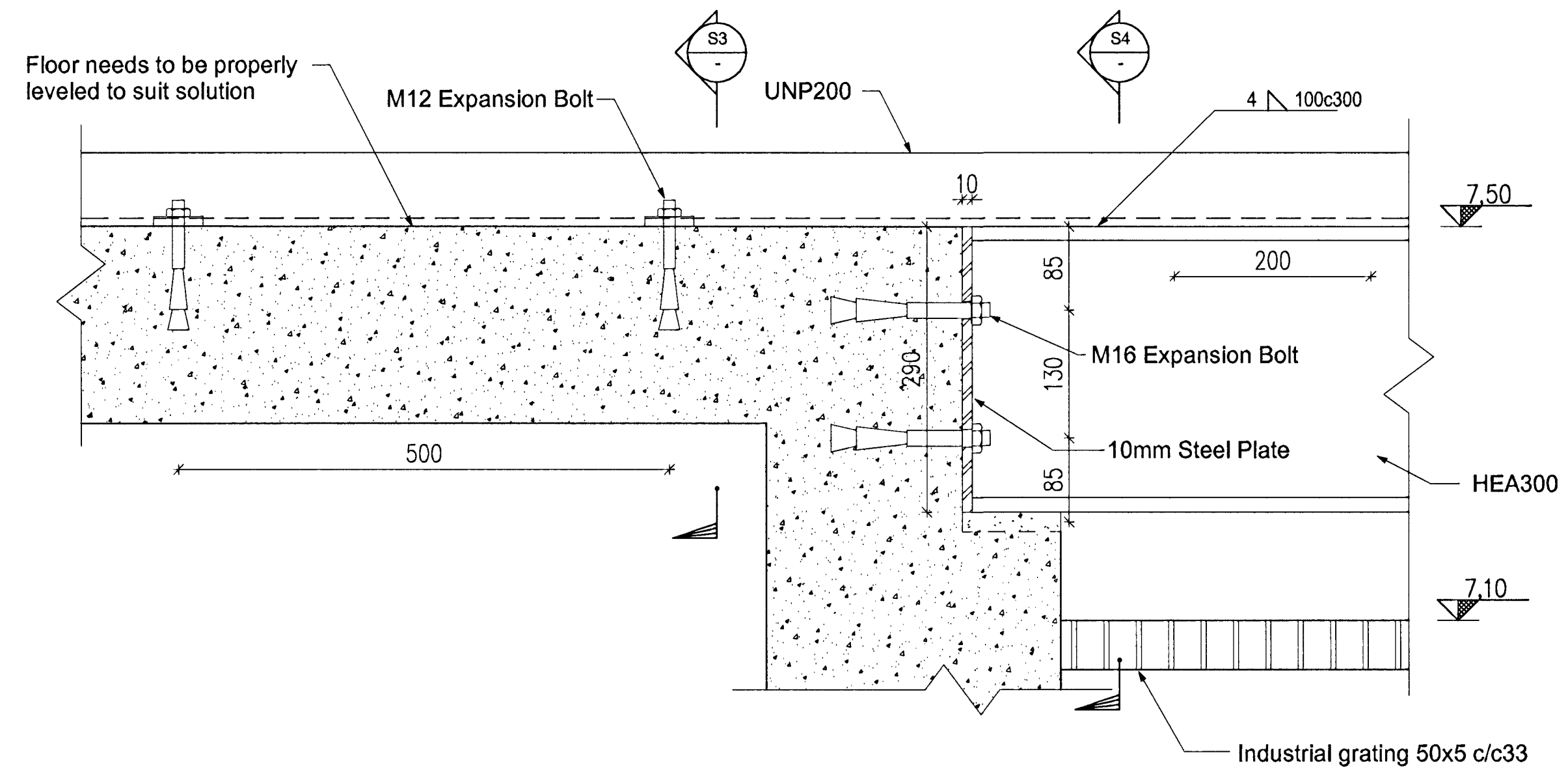
Níel Indriðsson
Kt. 181144-3949
NI



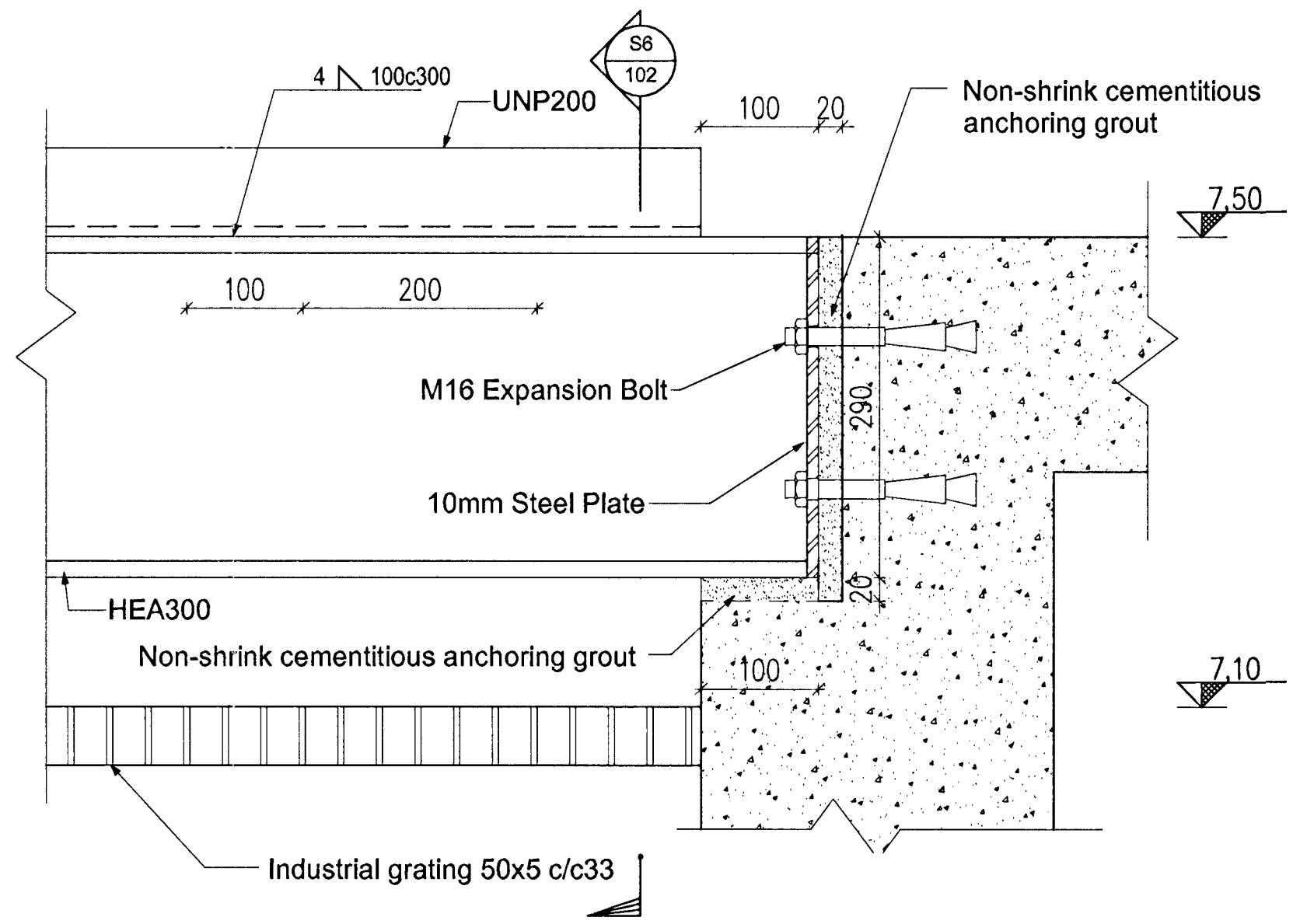
PLAN, LEVEL 7.50, 1:50



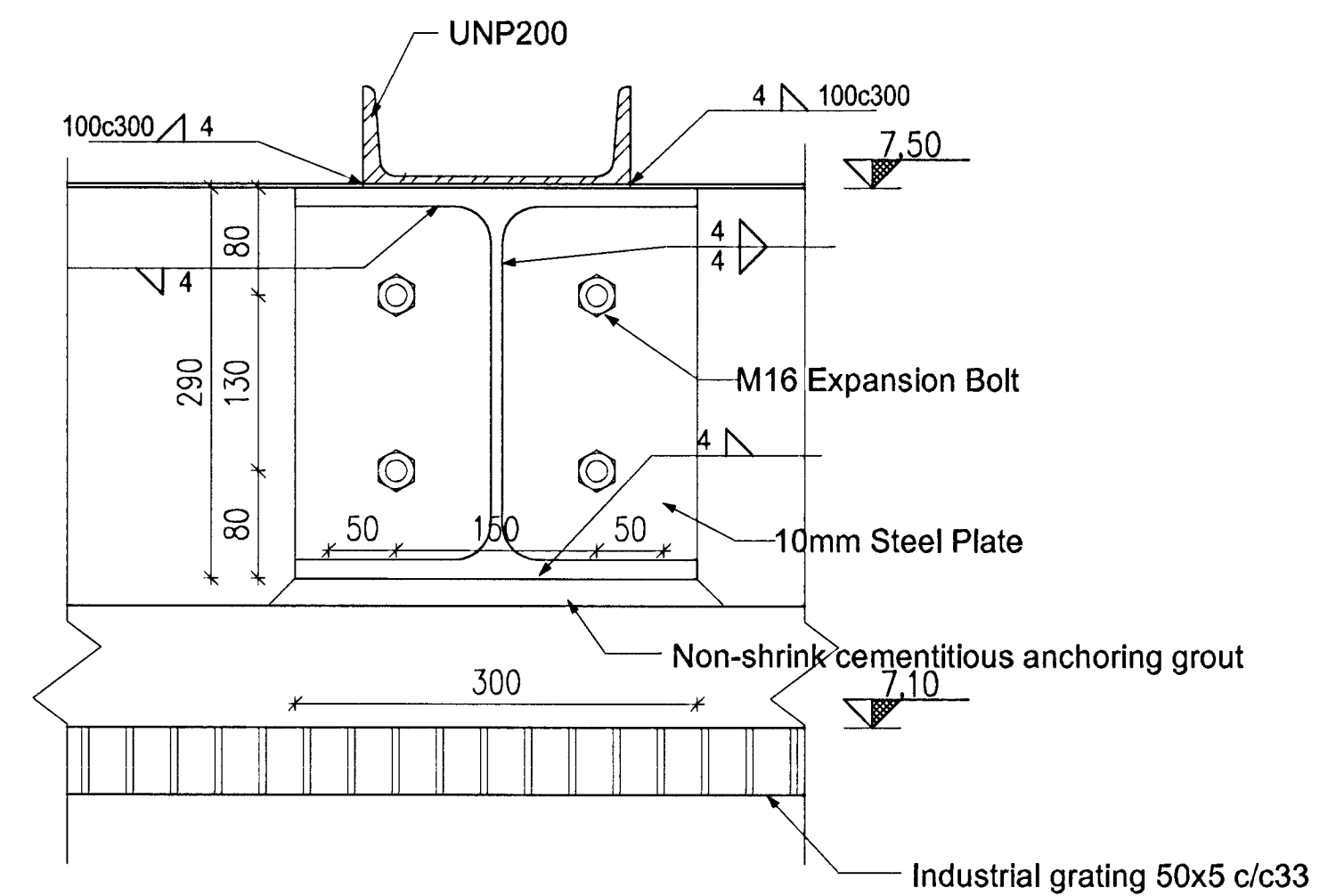
S3 SECTION
1:5



S1 SECTION
1:5



S2 SECTION
1:5



S4 SECTION
1:5



Skýringar:
Legend:

5	Record drawing	2012.09.20	GMG	NI	PG	rcs
Útg nr	Rev no	Lýsing	Útgáfa	Des/Drw	Yfir	Notk heim
		Description	Date	Des/Drw	Clk	Suppl Ref

This drawing is the property of Rio Tinto Alcan Iceland Ltd. and handed out for personal use only. It may neither be copied nor made available to others without permission of Rio Tinto Alcan Iceland Ltd. The receiver is liable for any misuse.

Stærð: A1 Máv: 1:50, 1:5
Formati: A1 Skala: 1:50, 1:5
Dimensions without tolerances according to ISO 2768-1 medium.

Dagsetning / Date		2011.02.14
Hannað / Designed	Tekin / Drawn	HFB/AFV
Verktaki / Supplier	HRV	
Tekn.nr.verktaka / Supplier drw.no	IDP-212-ZA-062-101	
Samþykkt / Approved	Yfir / Chkd	HJH
Hluti af: / Part of:		

IPU 212 - SUBSTATION 140
CIVIL WORK
TRANSFORMERS RAILS AND BEAMS
STRUCTURAL STEEL

Flokkur nr.: Blað nr.: Nasta bln.:
4011 16406

Kostn.nr.-Cno. / Búnr.-Eqno
251425 A

ISAL
Alcan Iceland Ltd
Stráumvík
IS-222 Hafnarfjarður
Ísland

Tekn.nr. ISAL / Drw.no. of ISAL Breyt./Rev.
251425 A

ISAL Yfirbúð og skýð, dags / ISAL Checked, date
ISAL Samþykkt, dags / ISAL Approved, date