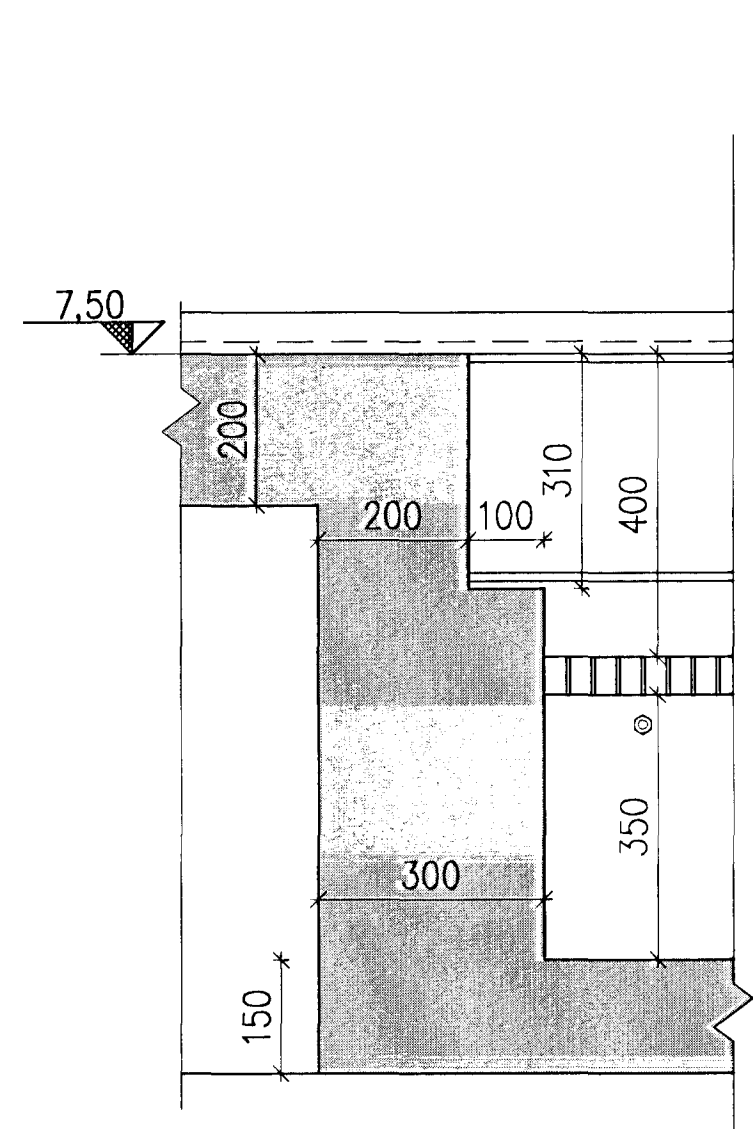
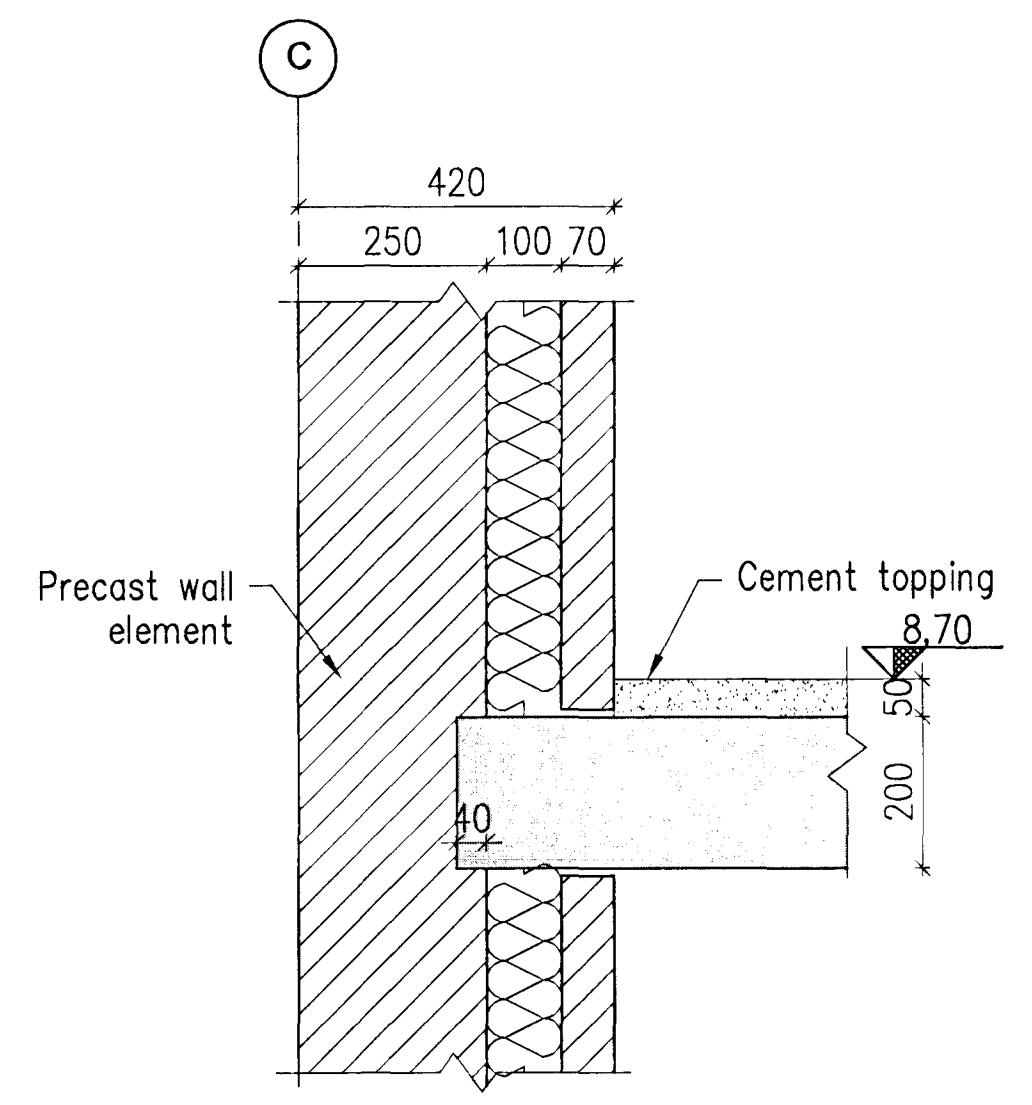


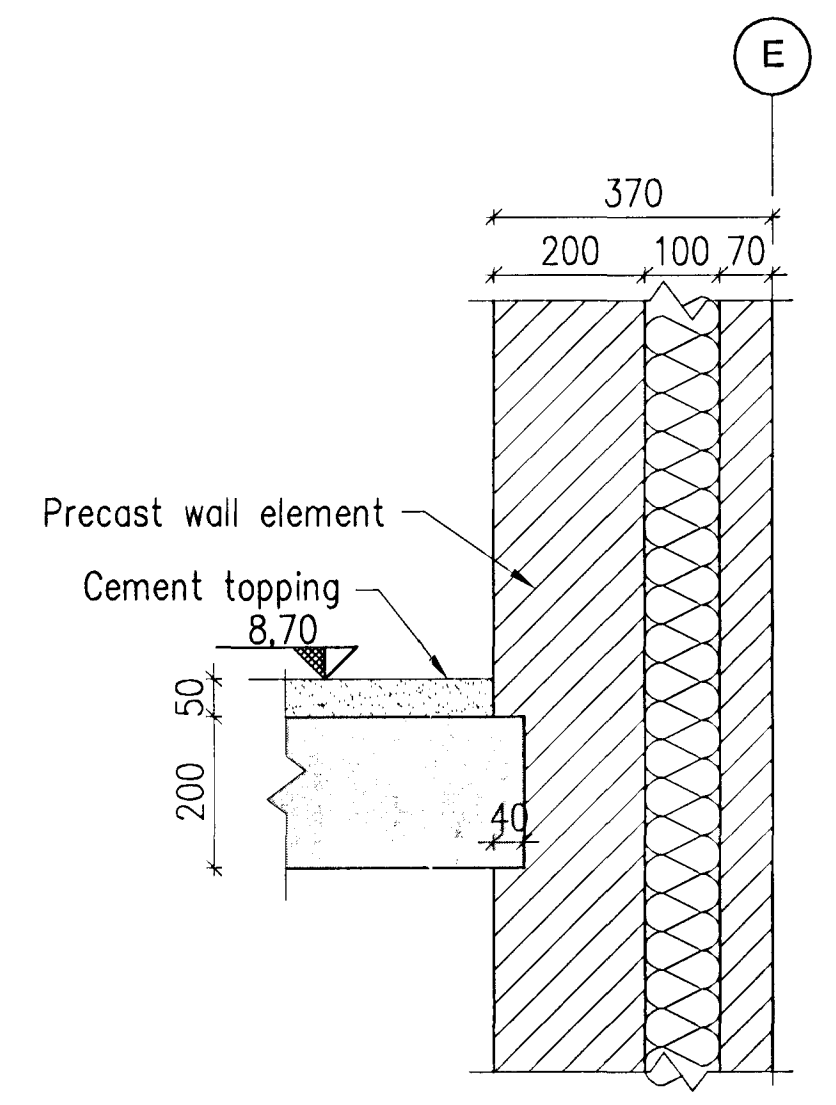
Nick Indrisson
 Kt. 181144-3949
 NI



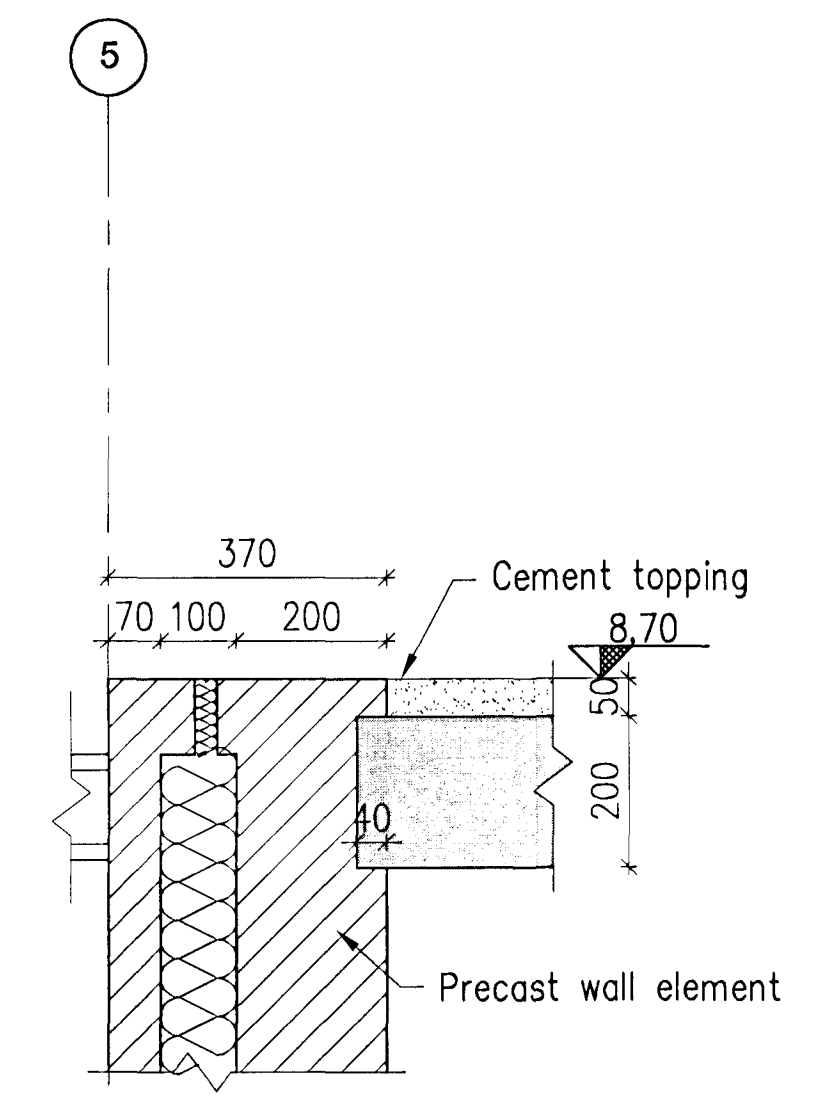
D1 DETAIL
 014 1:10



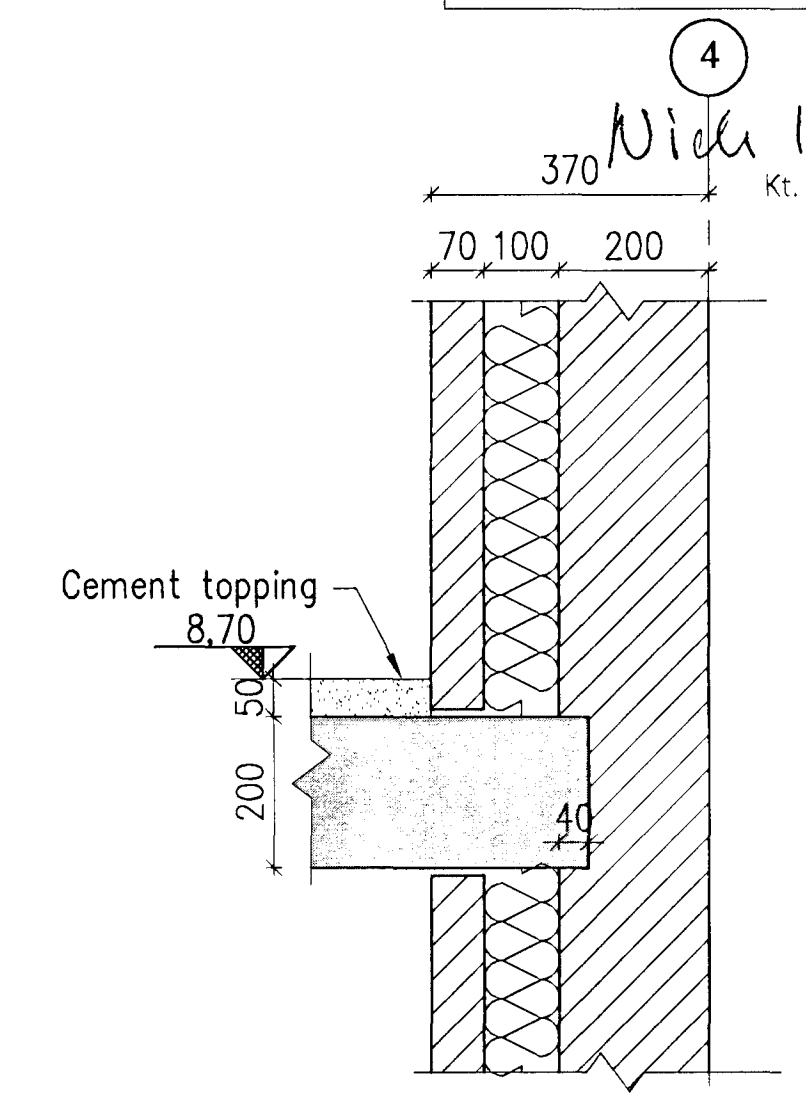
D2 DETAIL
 014 1:10



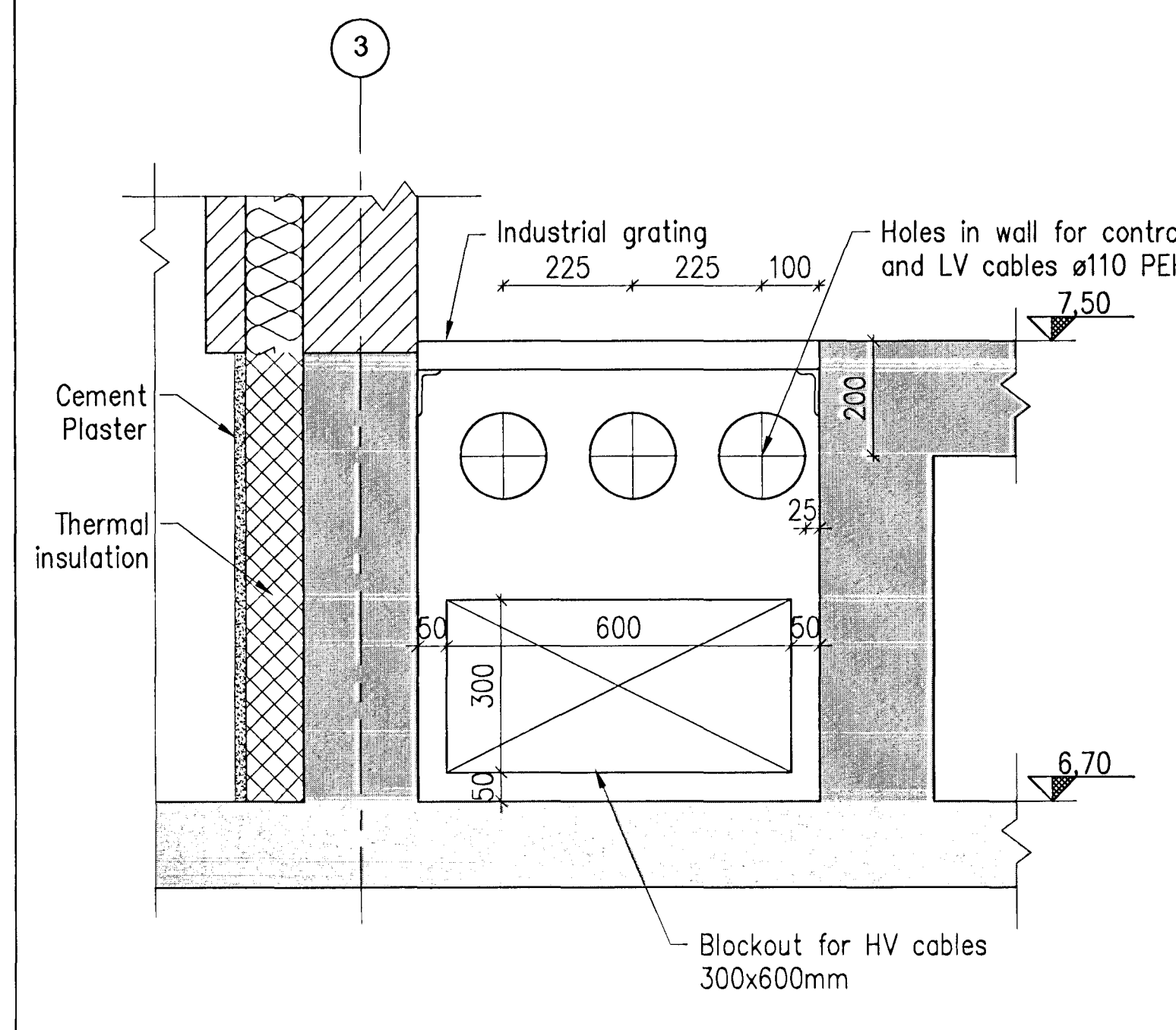
D3 DETAIL
 014 1:10



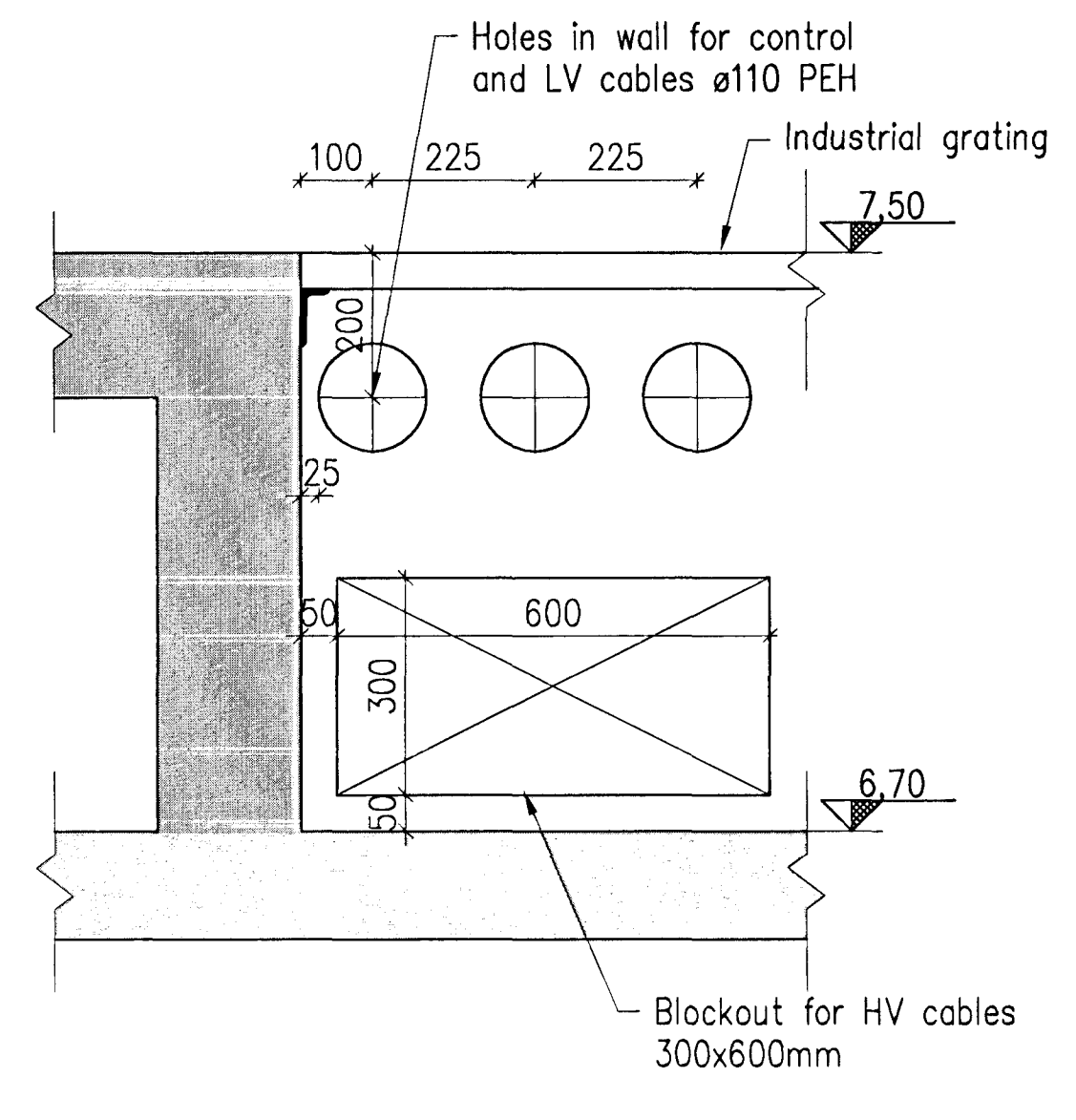
D4 DETAIL
 014 1:10



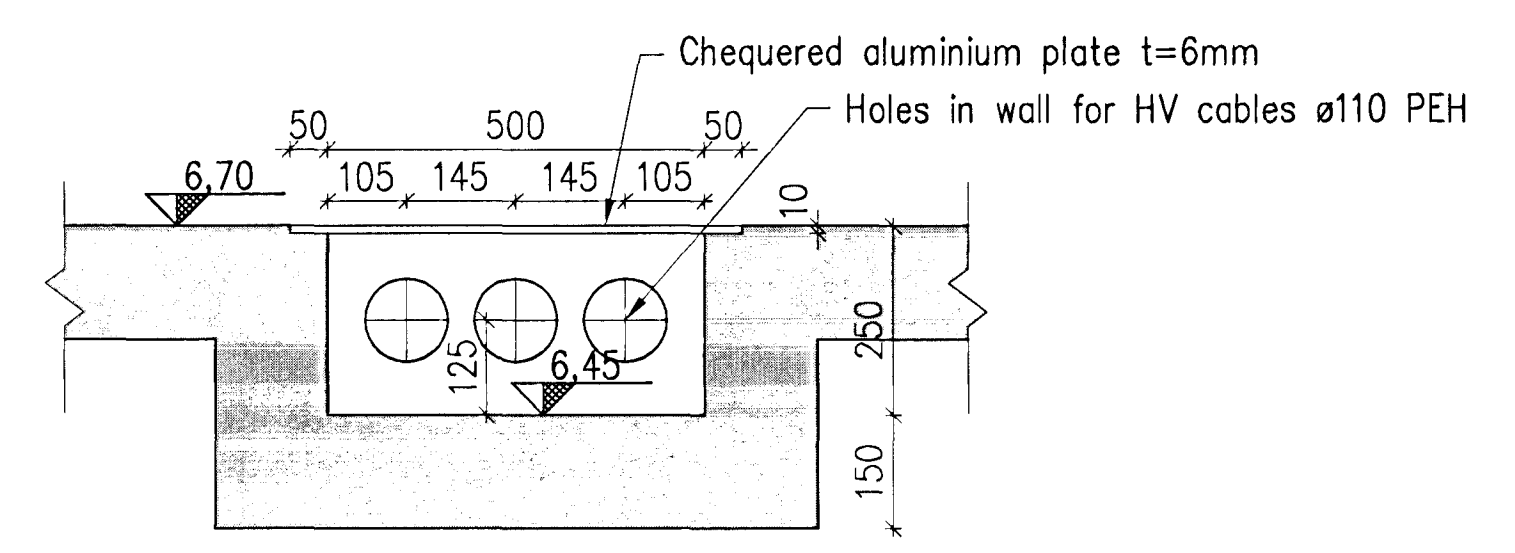
D5 DETAIL
 014 1:10



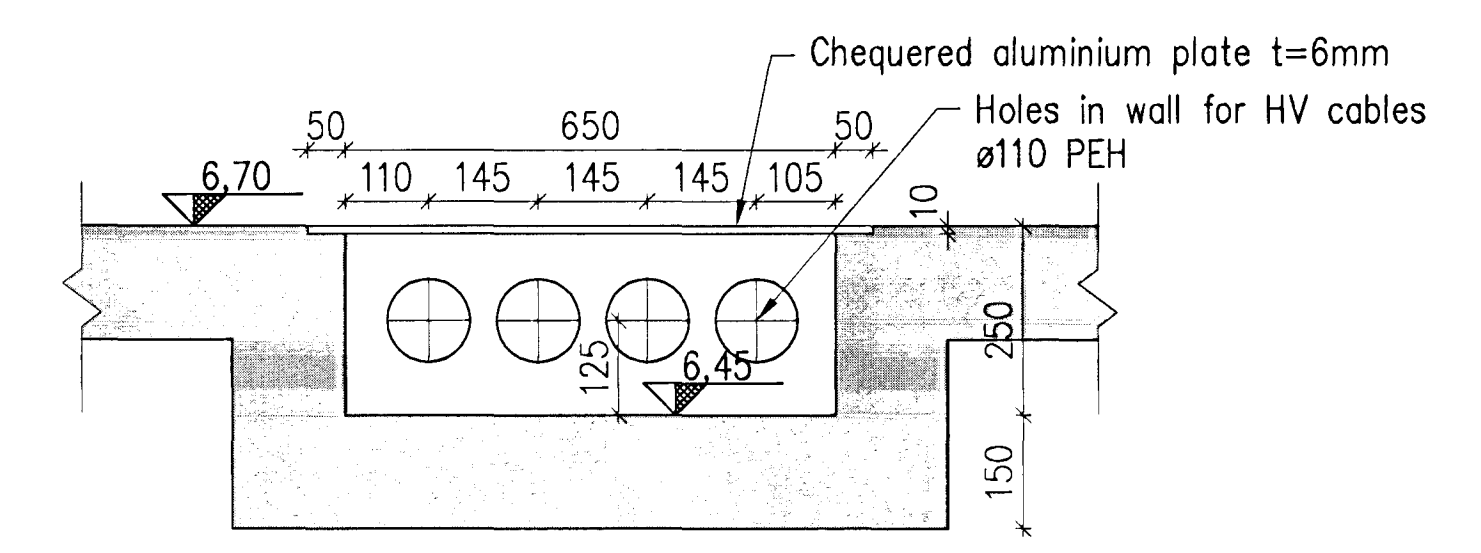
D6 DETAIL
 014 1:10



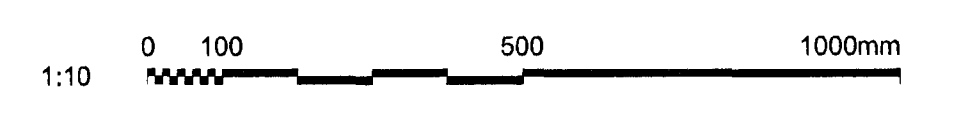
D7 DETAIL
 014 1:10



D12 DETAIL
 014 1:10



SO SECTION
 014 1:10



Skýringar:
 Legend:
 Prefabricated elements are shown on contractors drawings

| | | | | | | | |
|--------|----------------|------------|----------|-------|-----------|-----------|----------|
| Ótg nr | Lýsing | Dagsetning | Hor/Tín | Yfirf | Notk heim | Notk heim | ISAL Ref |
| Rev no | Description | Date | Des/Draw | Old | Suppl | ISAL Ref | |
| 6 | Record drawing | 2012.09.20 | GMG | NI | FG | | |

This drawing is the property of Rio Tinto Alcan Iceland Ltd. and handed out for personal use only. It may neither be copied nor made available to others without permission of Rio Tinto Alcan Iceland Ltd. The receiver is liable for any misuse.

Scale: 1:10
 Dimensions without tolerances according to ISO 2768-1 medium.

| | |
|-------------------------------------|--------------------|
| Dagsetning / Date | 2011.02.14 |
| Hannað / Designed | HFB |
| Tekni / Drawn | HFB/AFV |
| Verktaki / Supplier | HRV |
| Tekn.nr.verktaka / Supplier drw.no. | IDP-212-DA-062-015 |
| Samþykkt / Approved | Yfirf / Chkd |
| Hluti af: / Part of: | HJH |

| | | | | |
|-----------------------------|--|--|-----------------|---------------|
| IPU 212 - SUBSTATION 140 | | Flokkur nr.: | Blað nr.: | Nesta bl.nr.: |
| GENERAL LAYOUT | | Kostn.nr.-Ccnr. / | Bán.nr.-Eq.no | |
| DETAILS AND SECTION | | 4011 | 16406 | |
| FORMWORK | | AKS | UB140 | |
| Rio Tinto Alcan | | ISAL Tekn.nr. ISAL / | Drw.no. of ISAL | Breyt./Rev. |
| Alcan Iceland Ltd | | 251414 | | A |
| IS-222 Hafnarfirður Iceland | | ISAL Yfirfarið og skráð, dags / ISAL Checked, date | | |
| | | ISAL Samþykkt, dags / ISAL Approval, date | | |