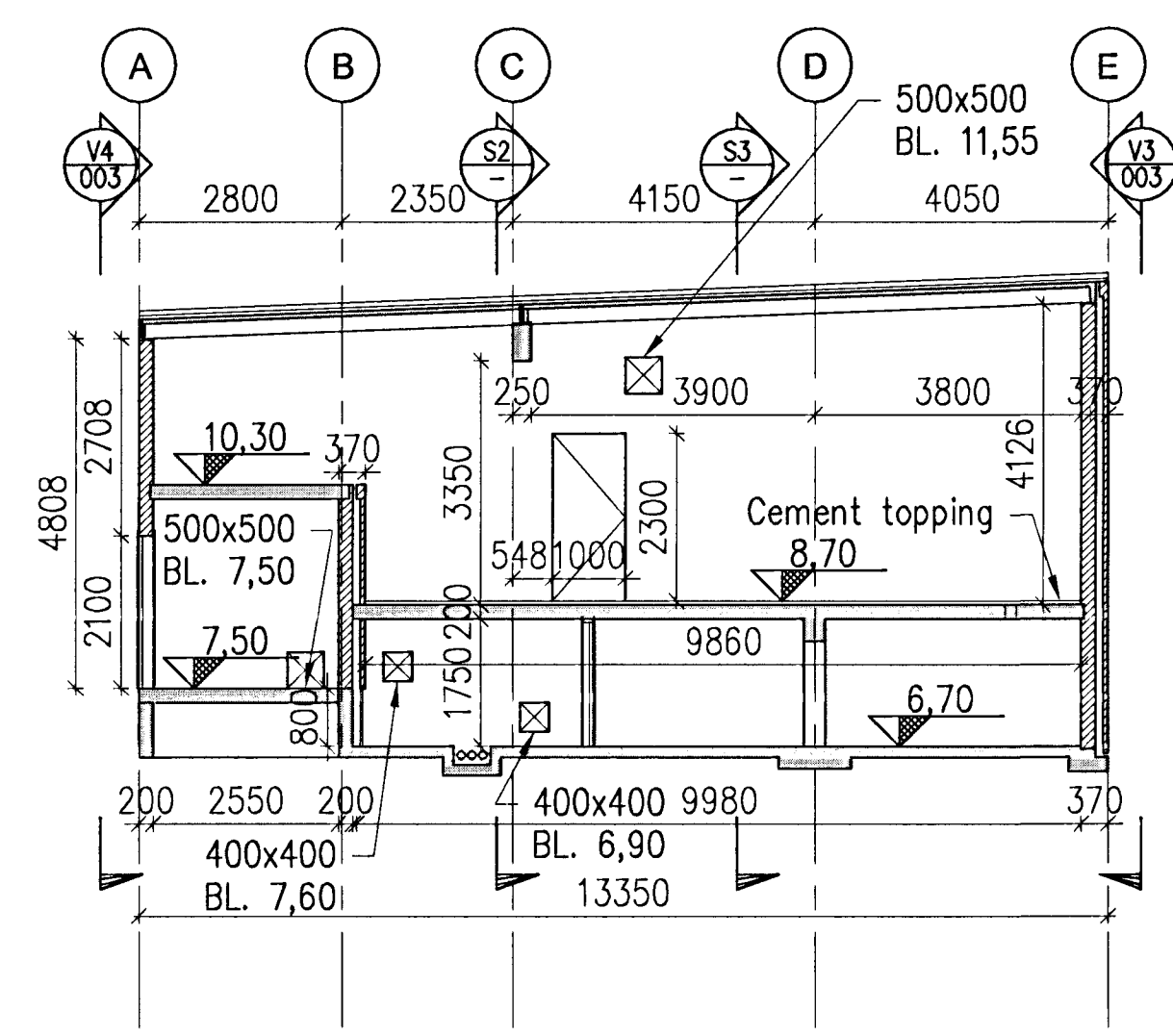
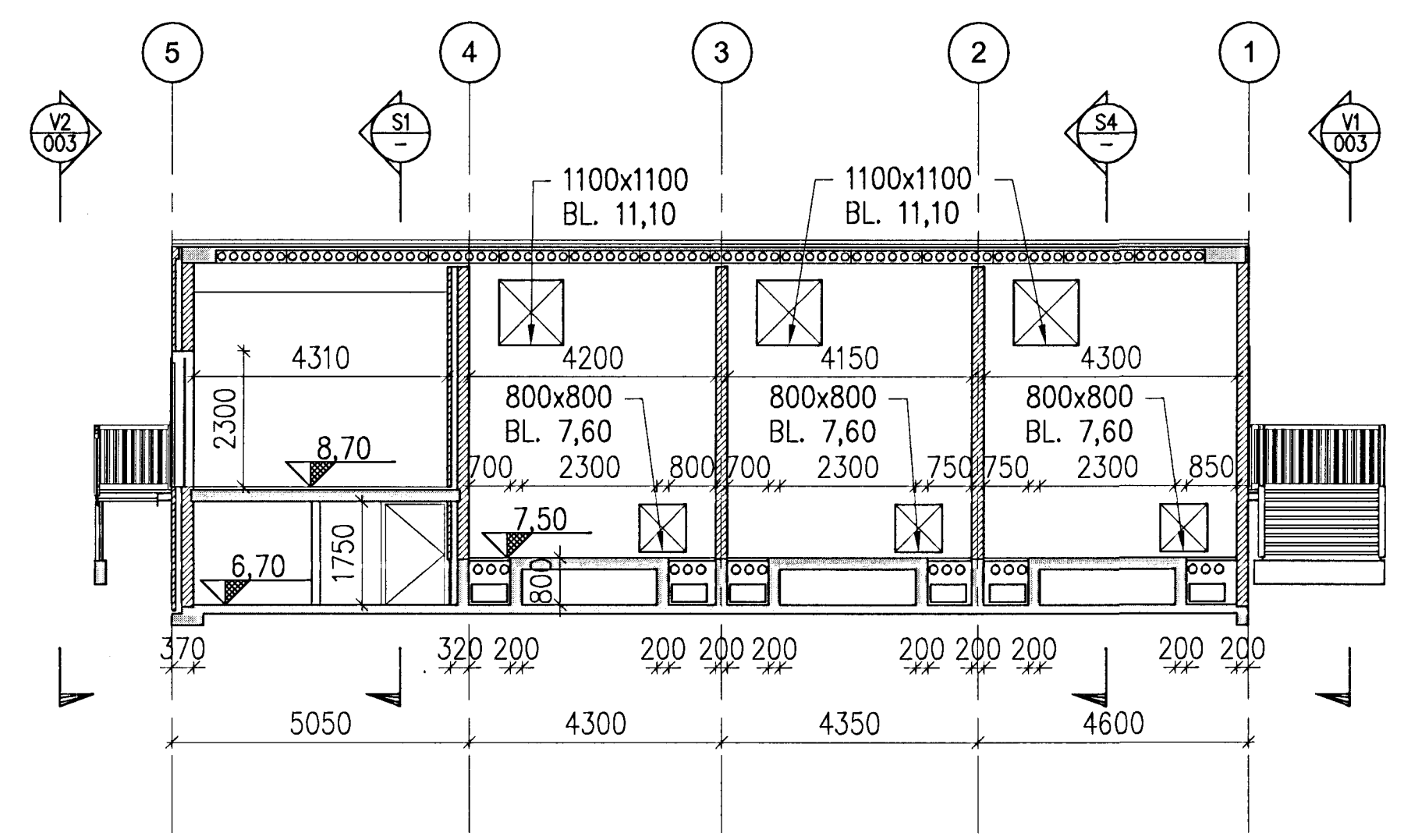


Sambýkkt bann
26 OCT 2012
Byggingafulltrúinn í Hagkerfi
F.h. Sigurður Steinar Jónsson

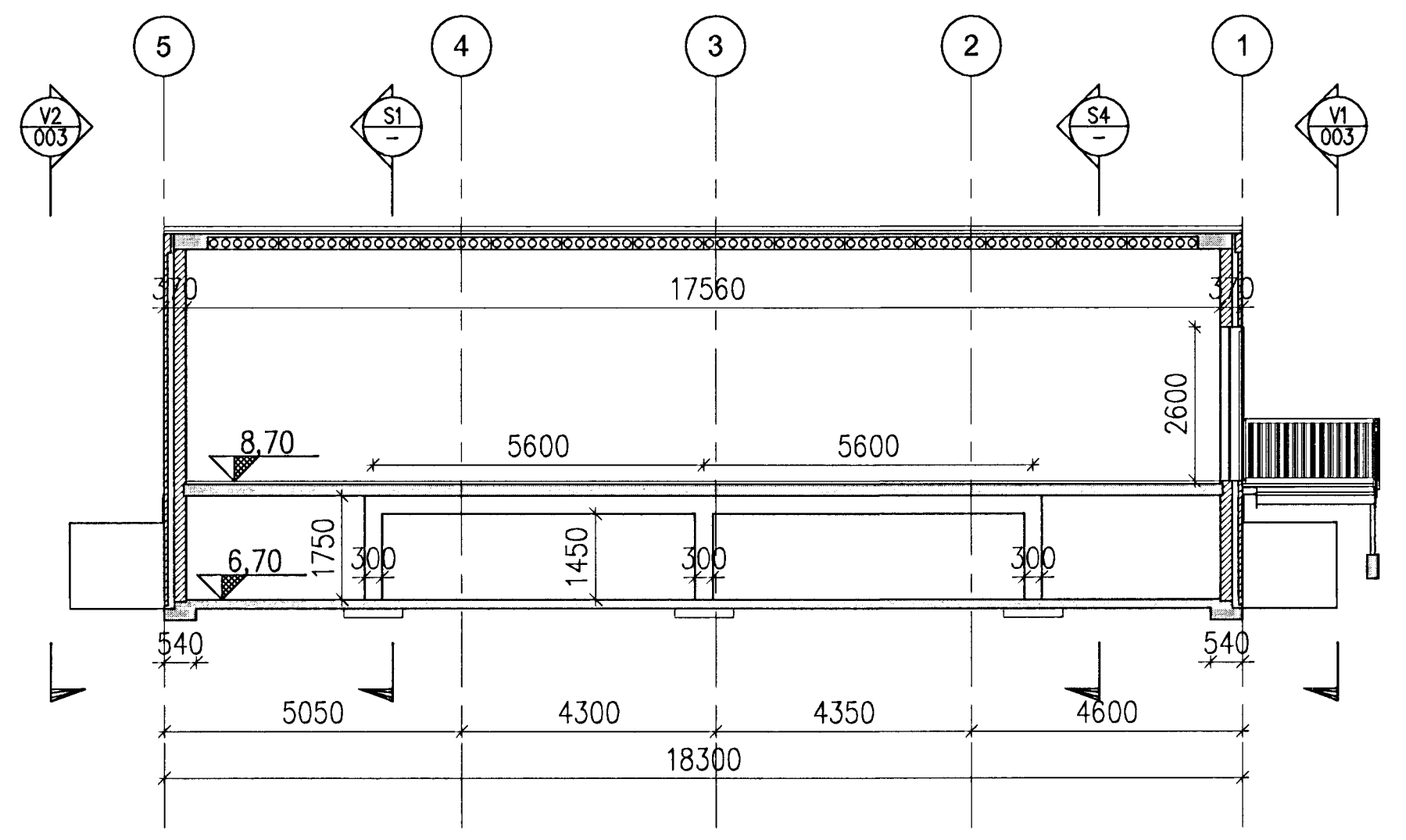
Nick Indriðason
Kt. 181144-3949 NI



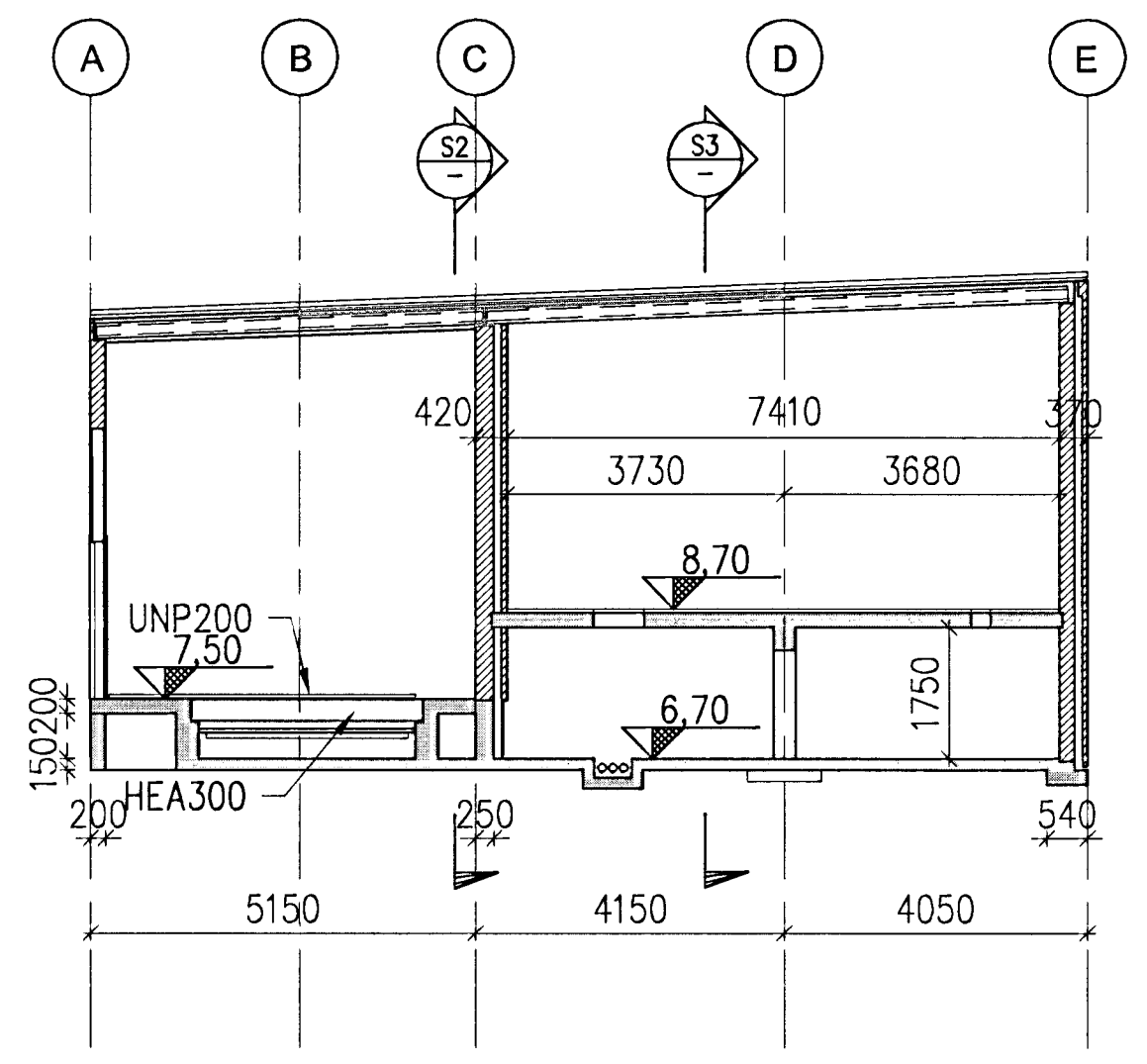
S1 SECTION
001 1:100



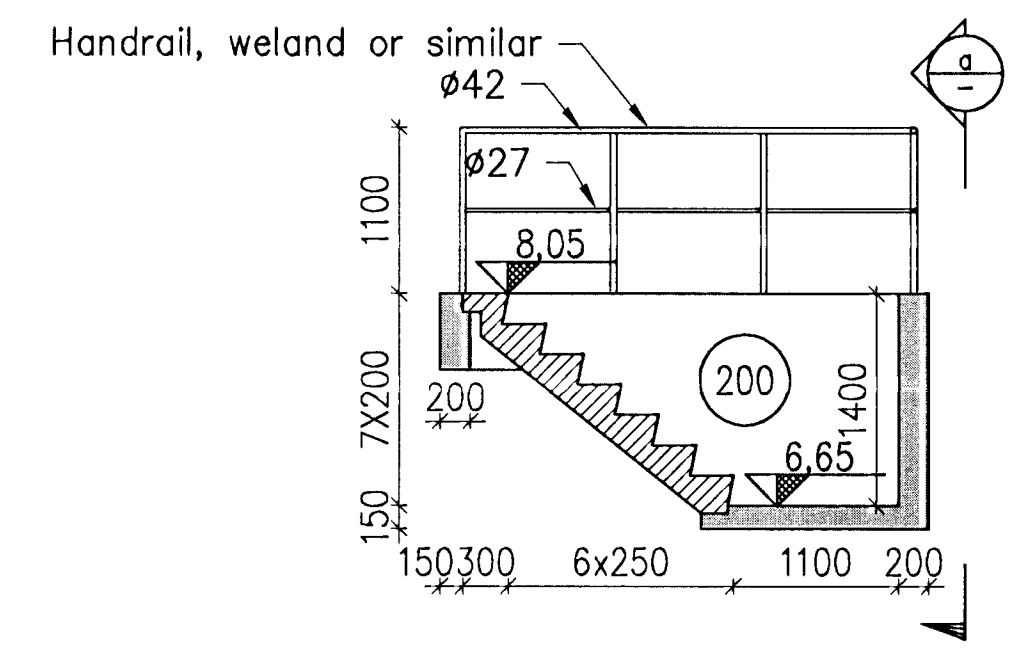
S2 SECTION
001 1:100



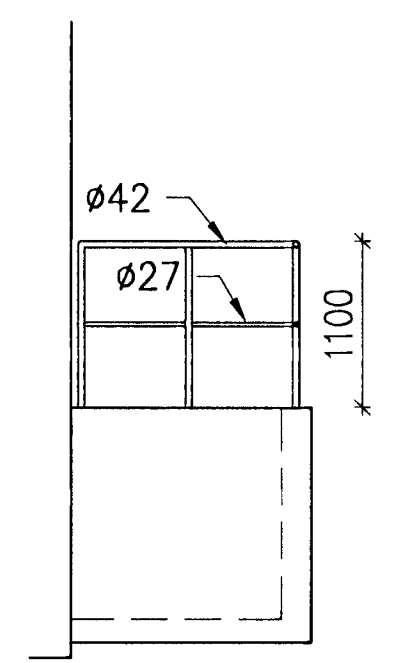
S3 SECTION
001 1:100



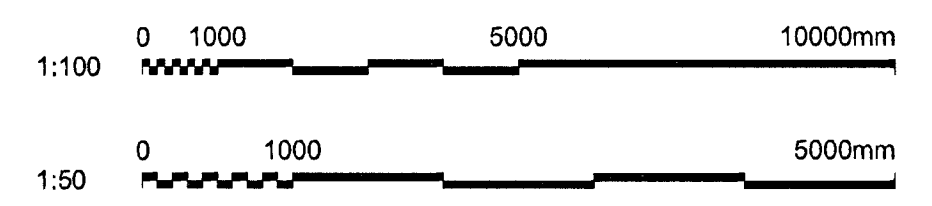
S4 SECTION
001 1:100



S5 SECTION
001 1:50



a SECTION
- 1:50



Skýringar:
Legend:
BL: Bottom level of opening.
Prefabricated elements are shown on contractors drawings

6	Record drawing	2012.09.20	GMG	NI	FG	MS	
Stig nr	Lýsing	Dagsetning	Man/Dra	Yfir	Notk heim	Notk heim	Notk heim
Rev no	Description	Date	Des/Dw	Ord	Suppl	Reil	ISAL Reil

This drawing is the property of Rio Tinto Alcan Iceland Ltd. and handed out for personal use only. It may neither be copied nor made available to others without permission of Rio Tinto Alcan Iceland Ltd. The receiver is liable for any misuse.		Dagsetning / Date 2011.02.14	
Stærð: A1 Mv: 1:100 1:50 Formát: Scale: 1:100 1:50 Dimensions without tolerances according to ISO 2768-1 medium.		Hannað / Designed HFB	
6		Tekin / Drawn HFB/AFV	
6		Verktaki / Supplier HRV	
6		Tæknirverktaki / Supplier drw.no IDP-212-DA-062-002	
6		Sambýkt / Approved NI	
6		Yfir / Chkd HJH	
6		Húti of / Part of:	

IPU 212 - SUBSTATION 140 GENERAL LAYOUT SECTIONS OVERVIEW			Flokkur nr.:	Blað nr.:	Næsta bln.:
Rio Tinto Alcan			Koehn.nr.-Cno. / Bfn.nr.-Eq.no	4011	16406
ISAL Alcan Iceland Ltd Straumsvík IS-222 Hafnarþorbúur Ísland			Tekn.nr. ISAL / Drw.no. of ISAL	AKS UB140	Breyt./Rev. A
ISAL Yfirlið og skráð, dags / ISAL Checked, date			ISAL Sambýkt, dags / ISAL Approved, date		