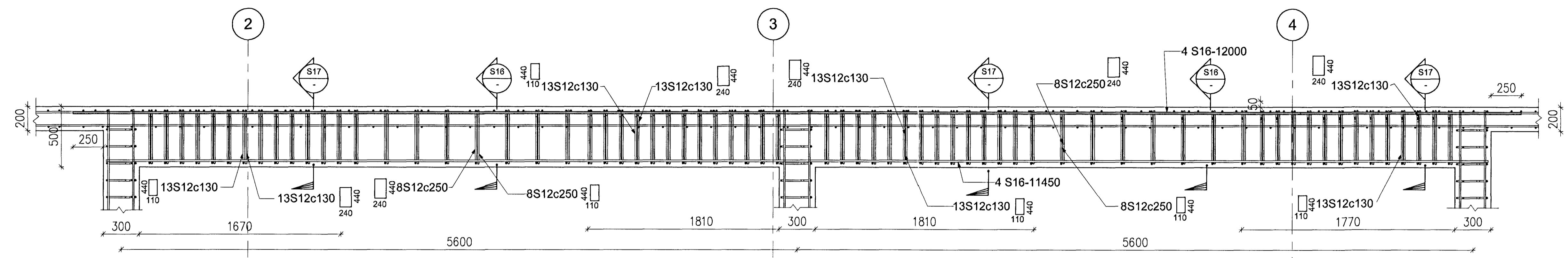
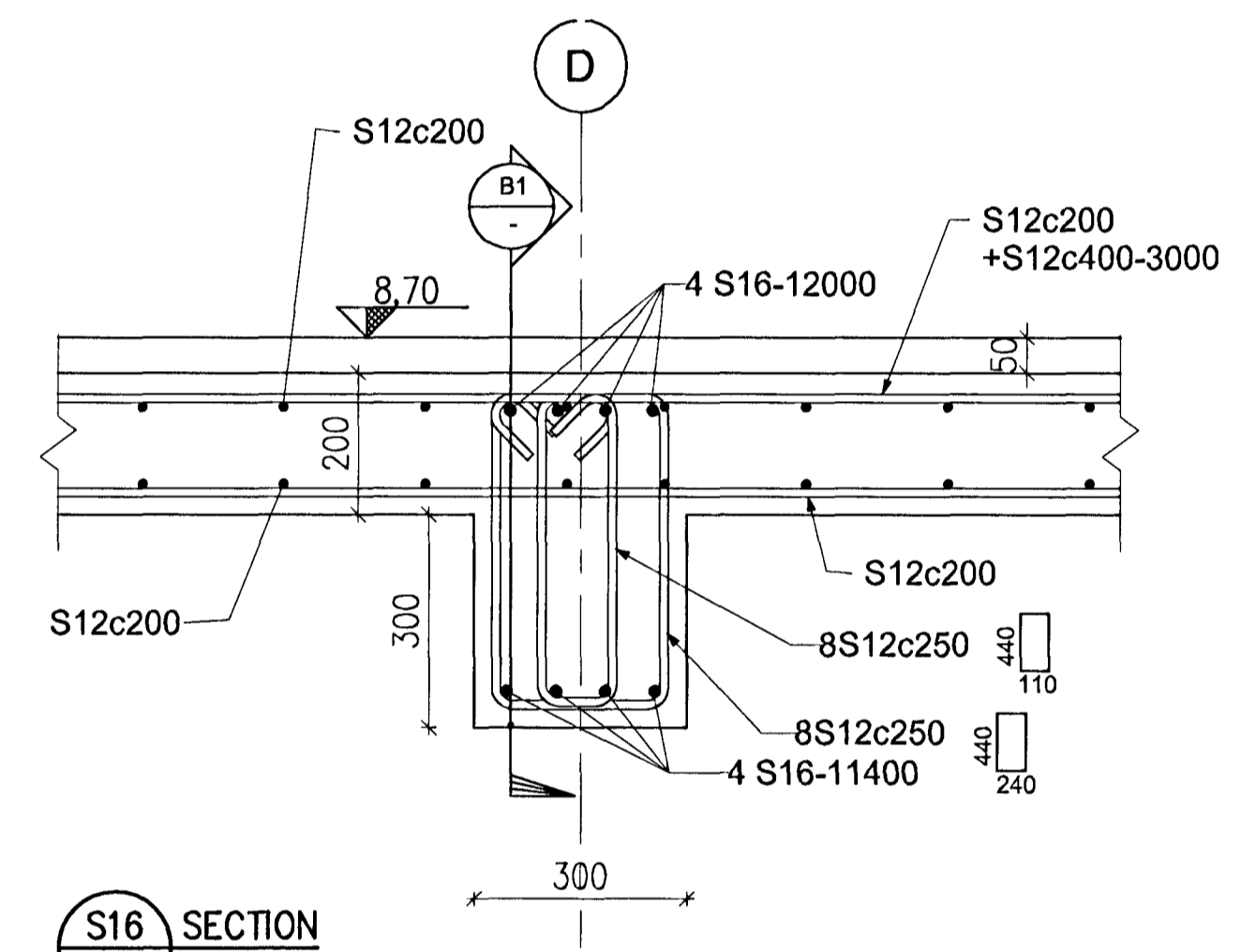


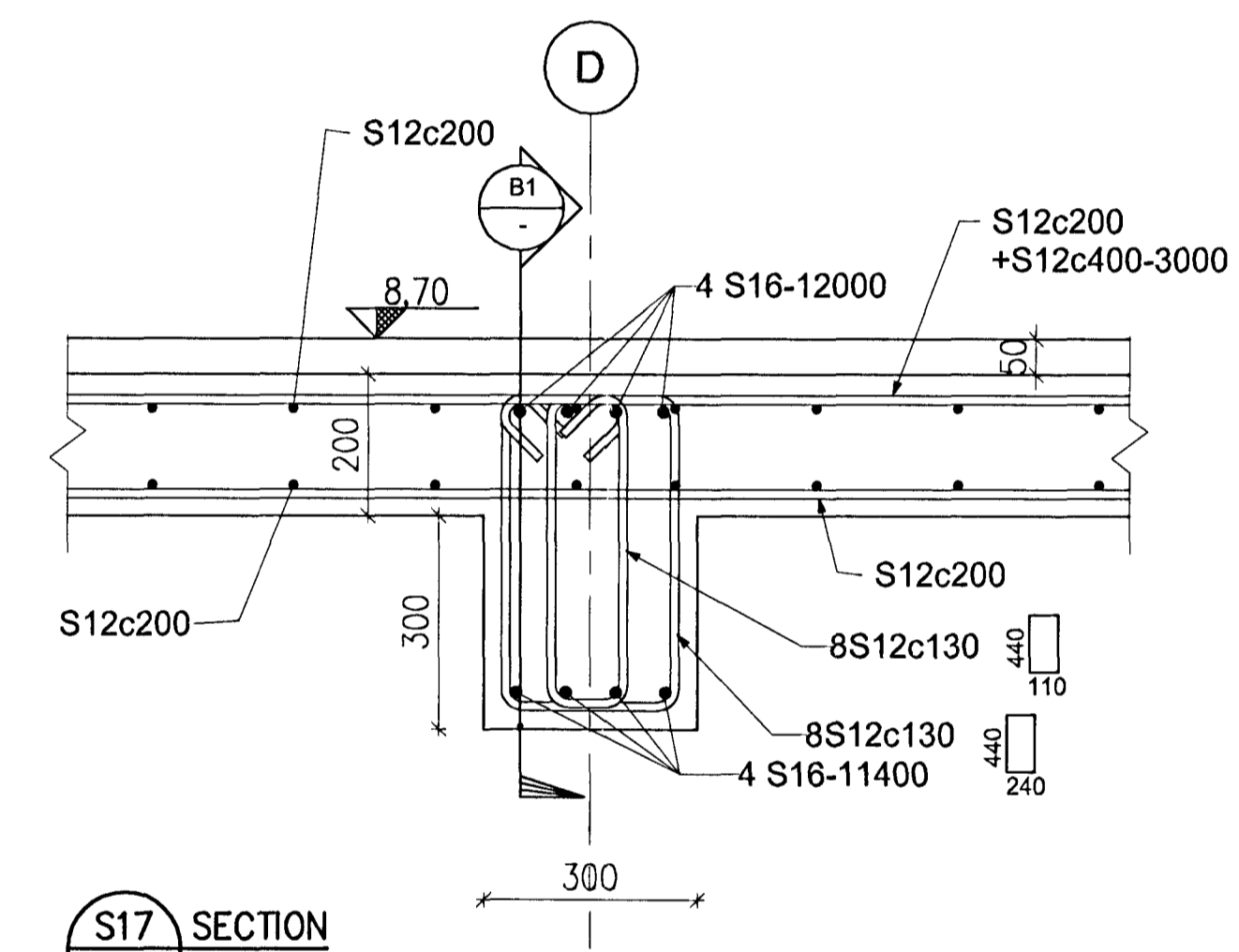
Níels Indriðason  
 Kt. 181144-3949  
 NI



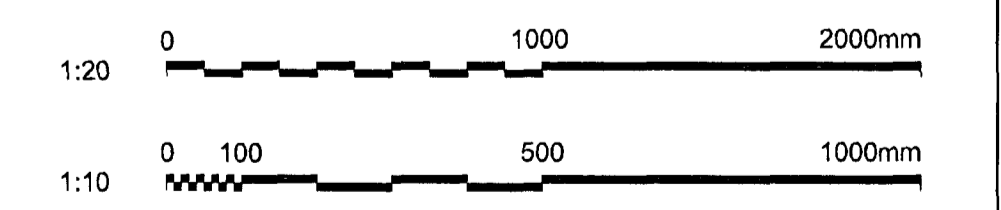
B1 SECTION  
 106 1:20



S16 SECTION  
 - 1:10



S17 SECTION  
 - 1:10



Skýringar:  
 Legend:

Ólg nr	Lýsing	Dagsetning	Han./Tú	Yfir	Notk heim	Notk heim
Rev no	Description	Date	Des./Drw	Old	Suppl	ISAL Rel
4	Record drawing	2012.09.20	GMG	NI	FE	reid

This drawing is the property of Rio Tinto Alcan Iceland Ltd. and handed out for personal use only. It may neither be copied nor made available to others without permission of Rio Tinto Alcan Iceland Ltd. The receiver is liable for any misuse.

Stærð: A1 Mkv: Scale: 1:20, 1:10  
 Formati: -  
 Dimensions without tolerances according to ISO 2768-1 medium.

Dagsetning / Date	2011.02.14
Hannað / Designed	HFB
Teikn / Drawn	HFB/AFV
Verktaki / Supplier	HRV
Teikn.nr.verktaka / Supplier draw.no.	IDP-212-CA-062-107
Samþykkt / Approved	NI
Yfir / Chkd	HJH
Hluti af / Part of:	

IPU 212 - SUBSTATION 140		
CIVIL WORK		
BEAM, SECTIONS		
Flokkur nr.:	Blað nr.:	Næsta blnr.:
4011	16406	
REINFORCEMENT		
AKS UB140		
Teikn.nr. ISAL	Teikn.nr. ISAL / Drw.no. of ISAL	Breyt./Rev.
251424		A
ISAL Yfirfarið og skrifað, dags / ISAL Checked, date		
ISAL Samþykkt, dags / ISAL Approved, date		