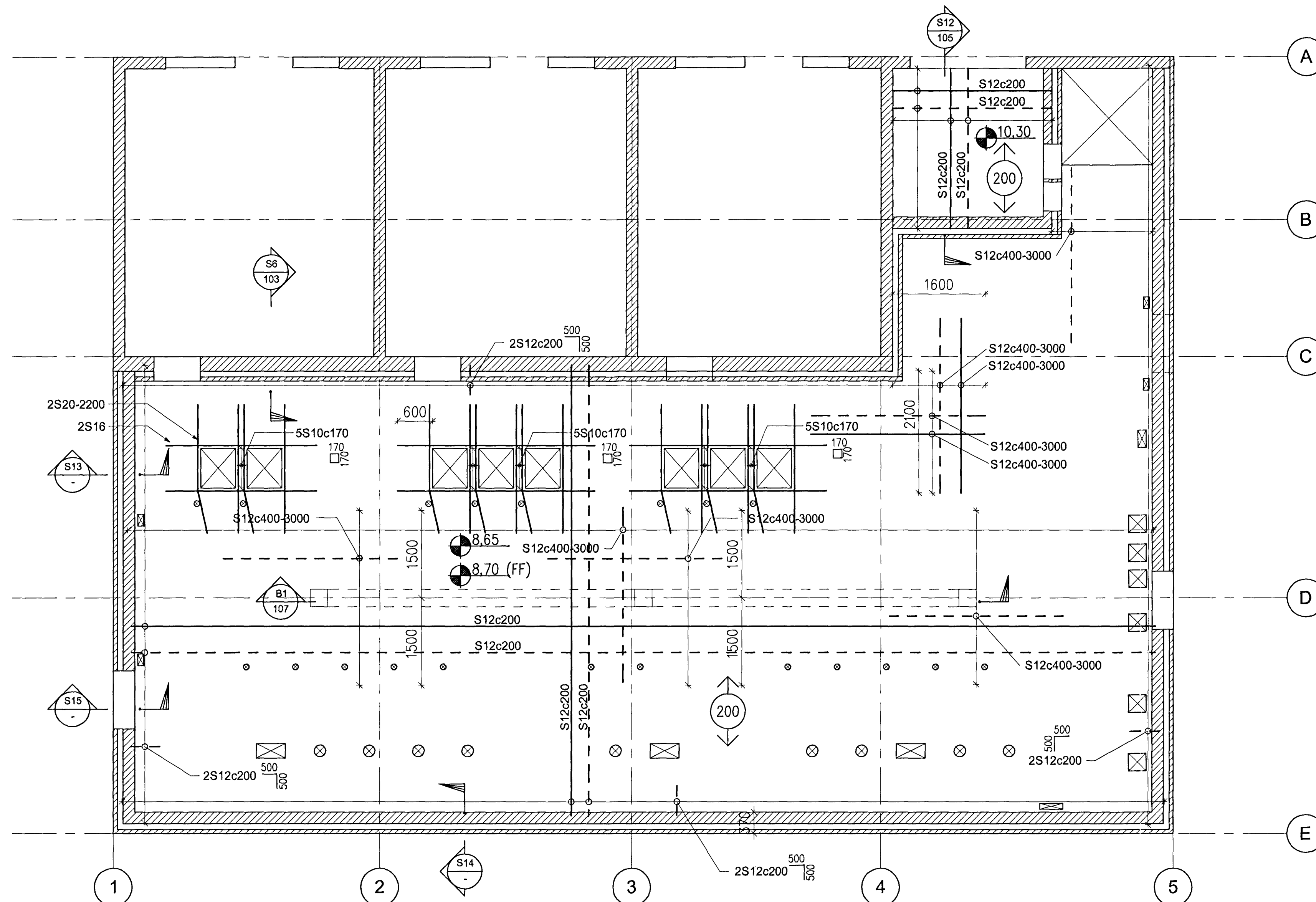
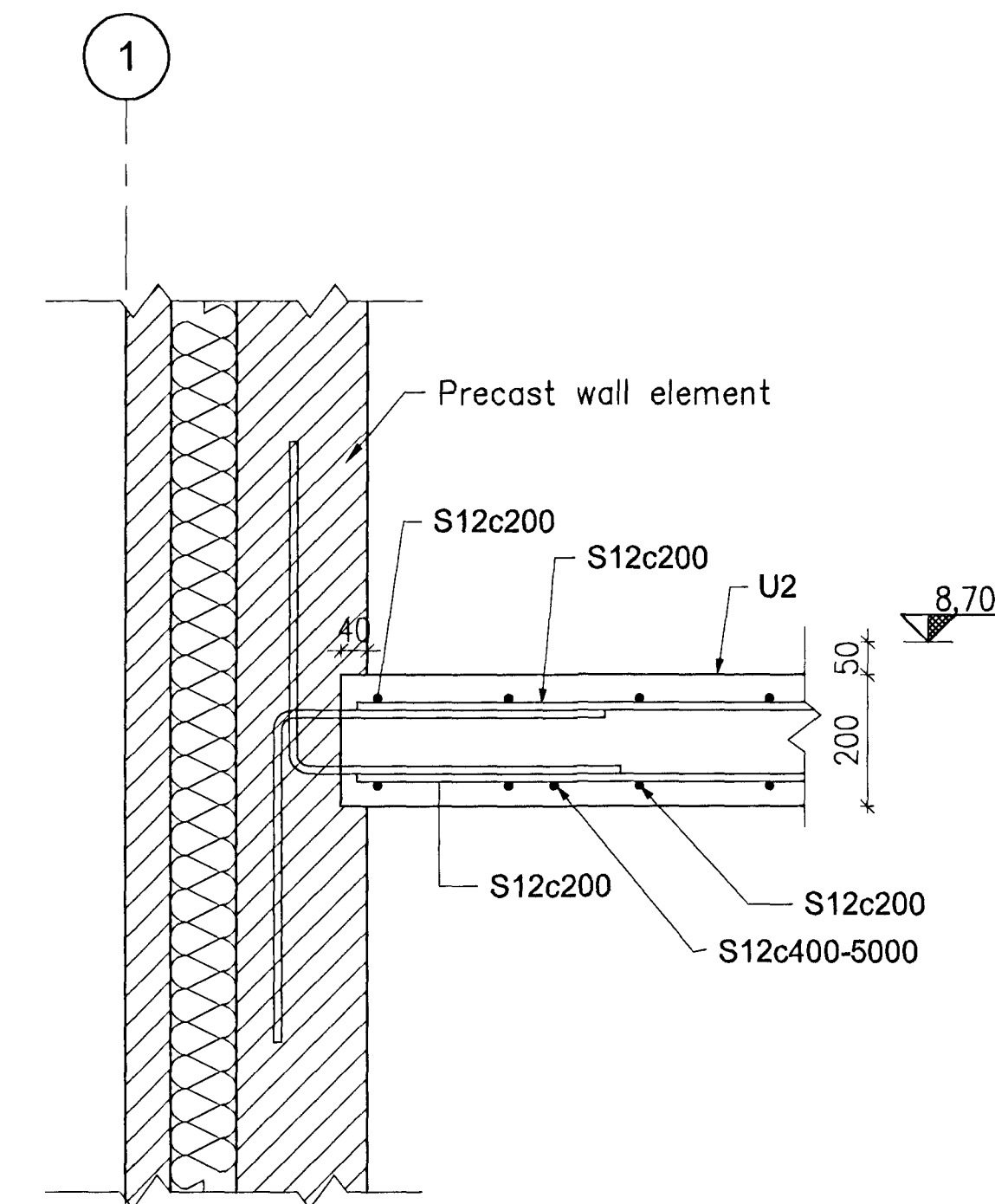


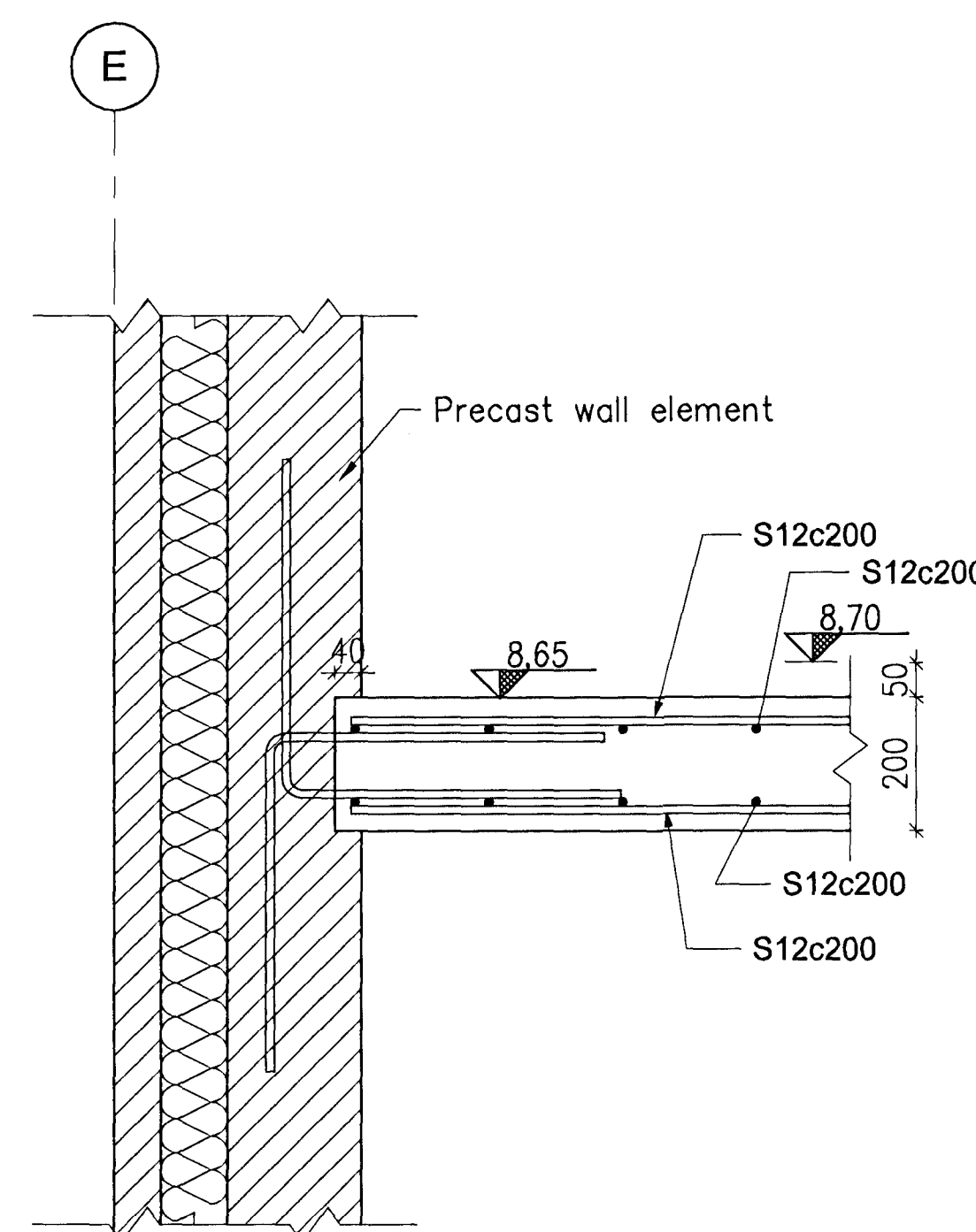
Níchi Indriðason
 Kr. 181144-3949 NI



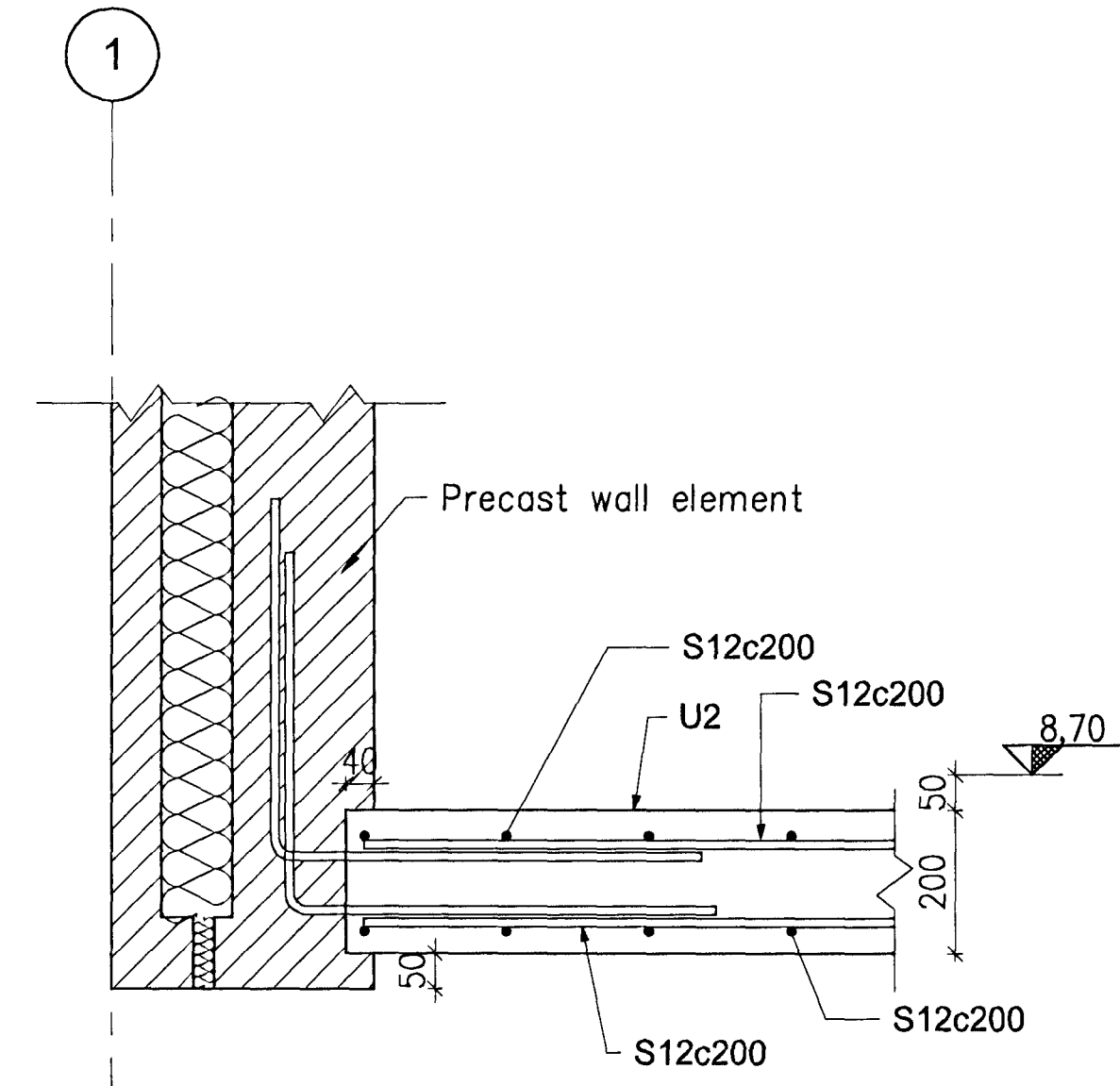
PLAN, LEVEL 8.70, 1:50



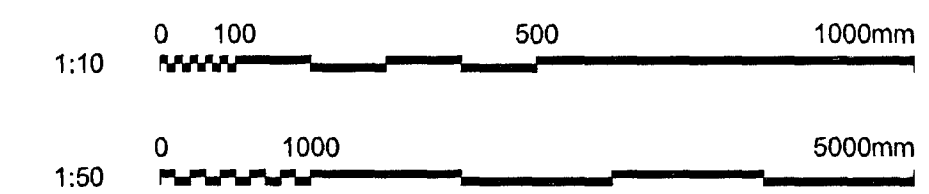
S13 SECTION
 1:10



S14 SECTION
 1:10



S15 SECTION
 1:10



Skýringar:
 Legend: Live load: 5kN/m²
 Prefabricated elements are shown on contractors drawings

6	Record drawing	2012.09.20	GMG	NI	PF	reth
Stg nr	Lýsing	Dagsetning	Hor./An	Yfir	Notk	Notk
Rev no	Description	Date	Des/Drw	Old	Suppl	ISAL Rel

This drawing is the property of Rio Tinto Alcan Iceland Ltd. and handed out for personal use only. It may neither be copied nor made available to others without permission of Rio Tinto Alcan Iceland Ltd. The receiver is liable for any misuse.		Dagsetning / Date 2011.02.14	
Skerð: A1 Mkv: 1:10, 1:50 Formát: A1 Dimensions without tolerances according to ISO 2768-1 medium.		Hannað / Designed HFB	
Tehunnverktaka / Supplier drw.no. IDP-212-CA-062-106		Tekin / Drawn HFB/AFV	
Sambýkt / Approved NI		Virttaki / Supplier HRV	
Hluti af / Part of:		Tehunnverktaka / Supplier drw.no. IDP-212-CA-062-106	
		Yfir / Chkd HJH	

IPU 212 - SUBSTATION 140		Flakkur nr.: Blað nr.: 4011 16406	
CIVIL WORK		Kostn.nr.-Cano. / Búnr.-Ea.no	
SLAB, PLAN AND SECTIONS		AKS UB140	
REINFORCEMENT		Tehunnverktaka / Supplier drw.no. ISAL	
RioTintoAlcan		ISAL Tekn.nr. ISAL /Drw.no. of ISAL 251423	
		Breyt./Rev. A	