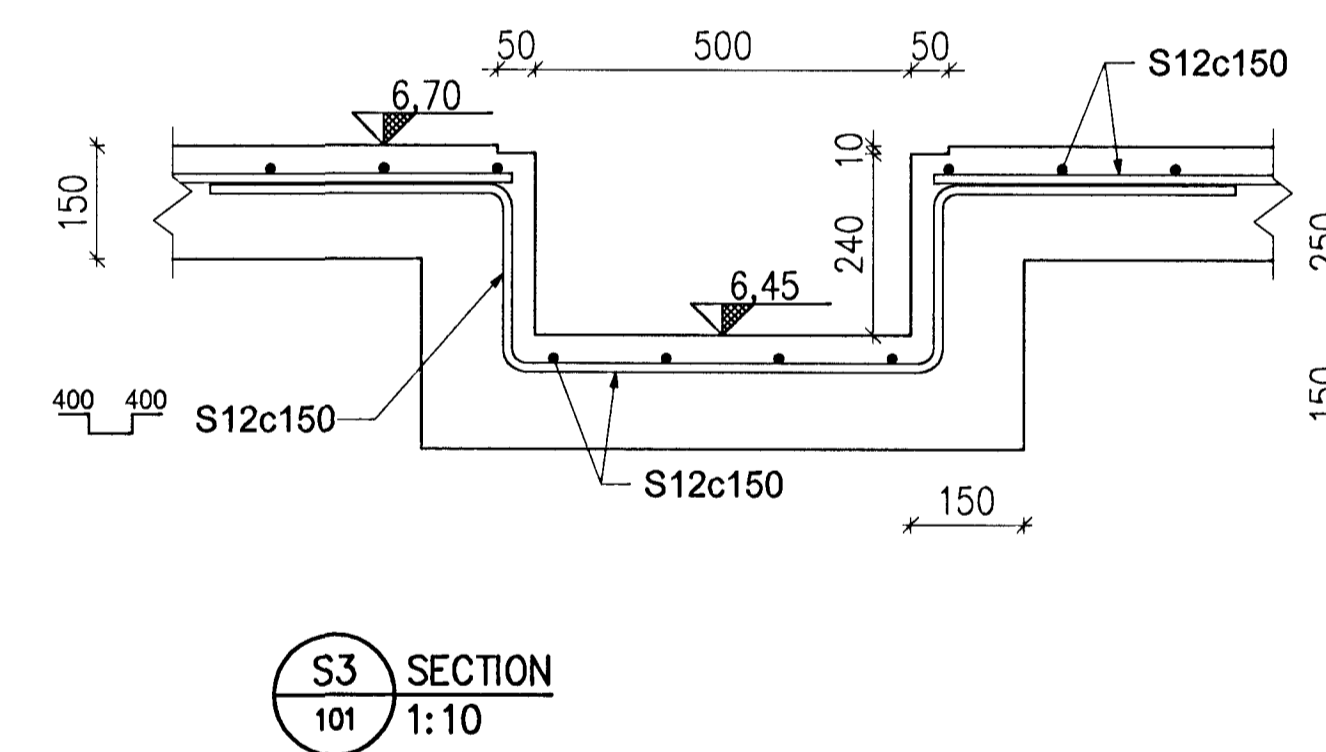
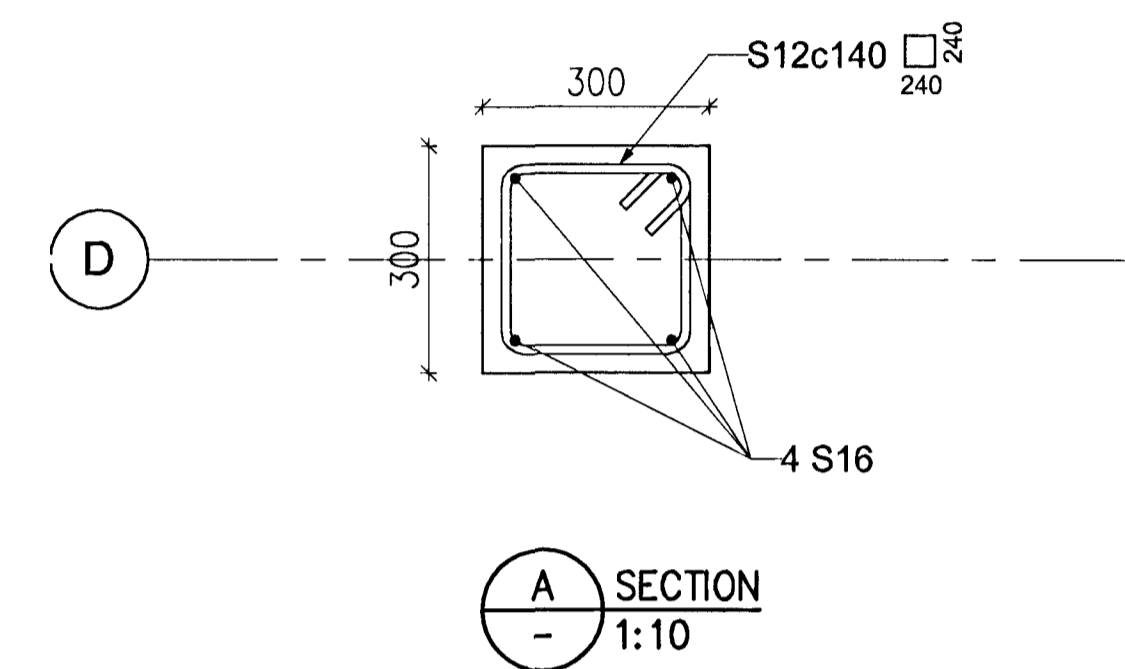
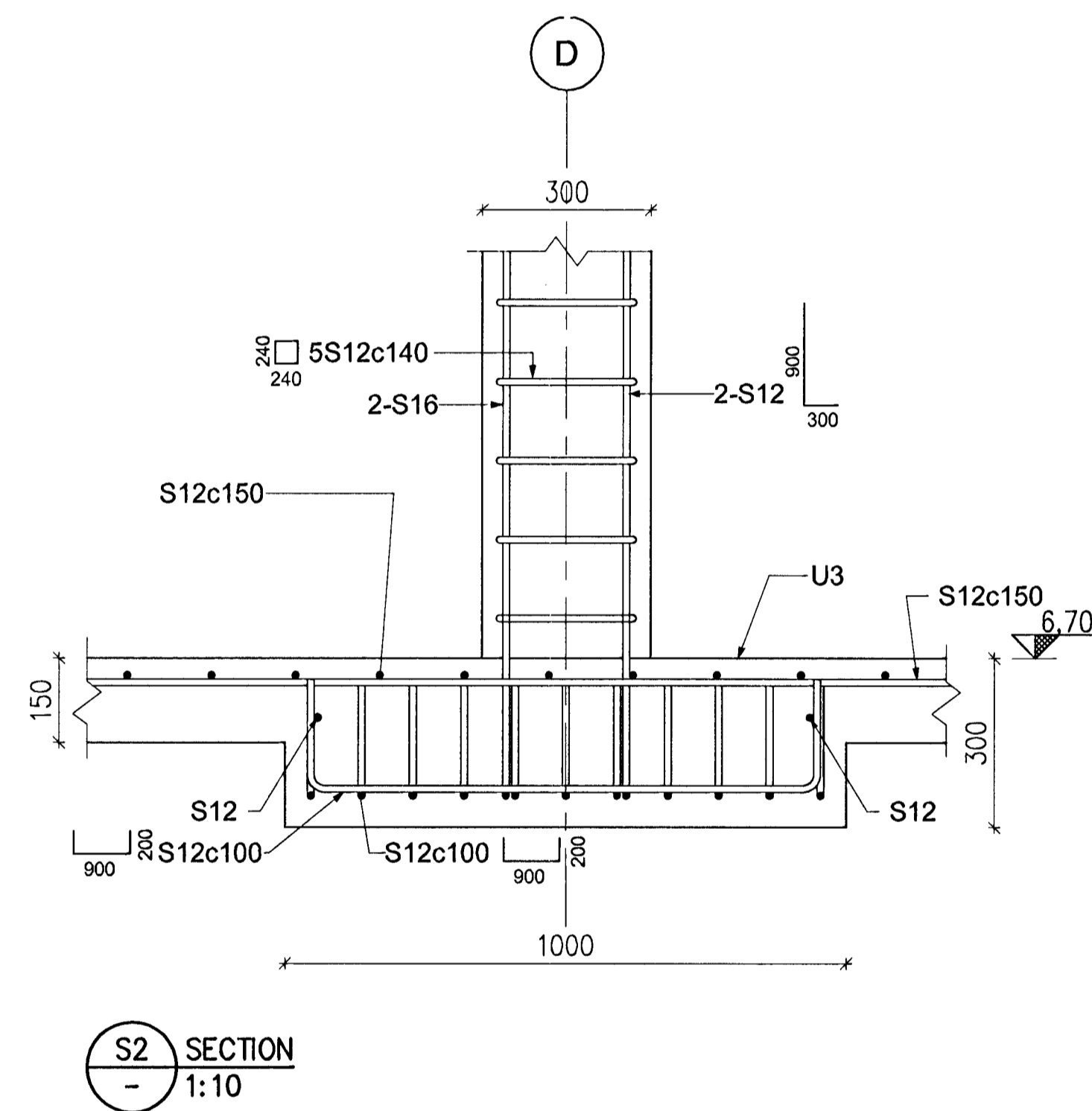
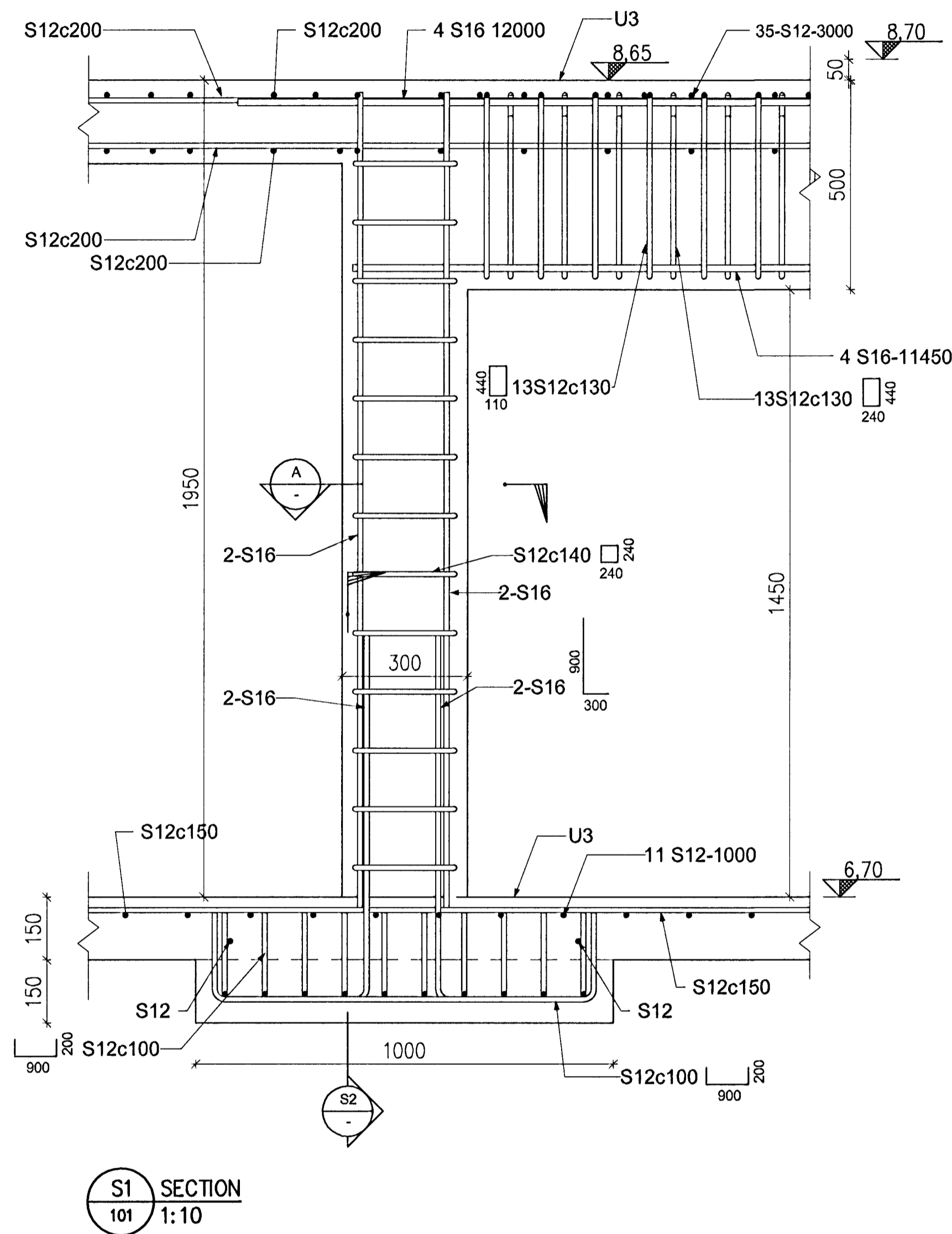


Níðri Indriðsson
Kt. 181144-3949
NI

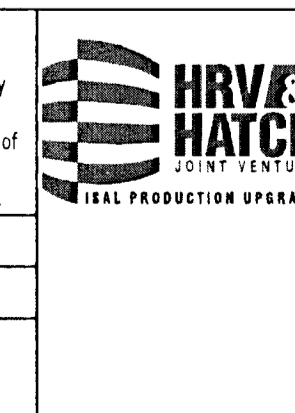


Skýringar:
Legend:

4	Record drawing	2012.09.20	GMG	NI	FG	revis
Útg nr	Lýsing	Dagsetning	Hor/Út	Yfir	Nota heim	Nota heim
Rev no	Description	Date	Des/Drw	Old	Suppl	ISAL Rel

This drawing is the property of Rio Tinto Alcan Iceland Ltd. and handed out for personal use only. It may neither be copied nor made available to others without permission of Rio Tinto Alcan Iceland Ltd. The receiver is liable for any misuse.

Stærð: A1 Mkv: 1:10
Formát: A1 Skala: 1:10
Dimensions without tolerances according to ISO 2768-1 medium.



Dagsetning / Date: 2011.02.14
Hannað / Designed: HFB
Tækn / Drawn: HFB/ÁFV
Verktaki / Supplier: HRV
Tækn nr verktaka / Supplier drw no: IDP-212-CA-062-102
Sambúið / Approved: NI
Yfir / Chkd: HJH
Hluti af: / Part of:

IPU 212 - SUBSTATION 140
CIVIL WORK
FOUNDATIONS AND SECTIONS
REINFORCEMENT

Rio Tinto Alcan
ISAL Acan Iceland Ltd
Stráumsvik
IS-222 Hafnarfordur
Ísland

Flokkur nr.: Blað nr.: Nasta blinn:
Kostn.nr.-Dcno. / Búnr.-Egno: 4011 16406
AKS
UB140
Tækn.nr. ISAL / Drw.no. of ISAL: 251419
Breyt./Rev.: A
ISAL Samþykkt, dags / ISAL Checked, date
ISAL Samþykkt, dags / ISAL Approved, date