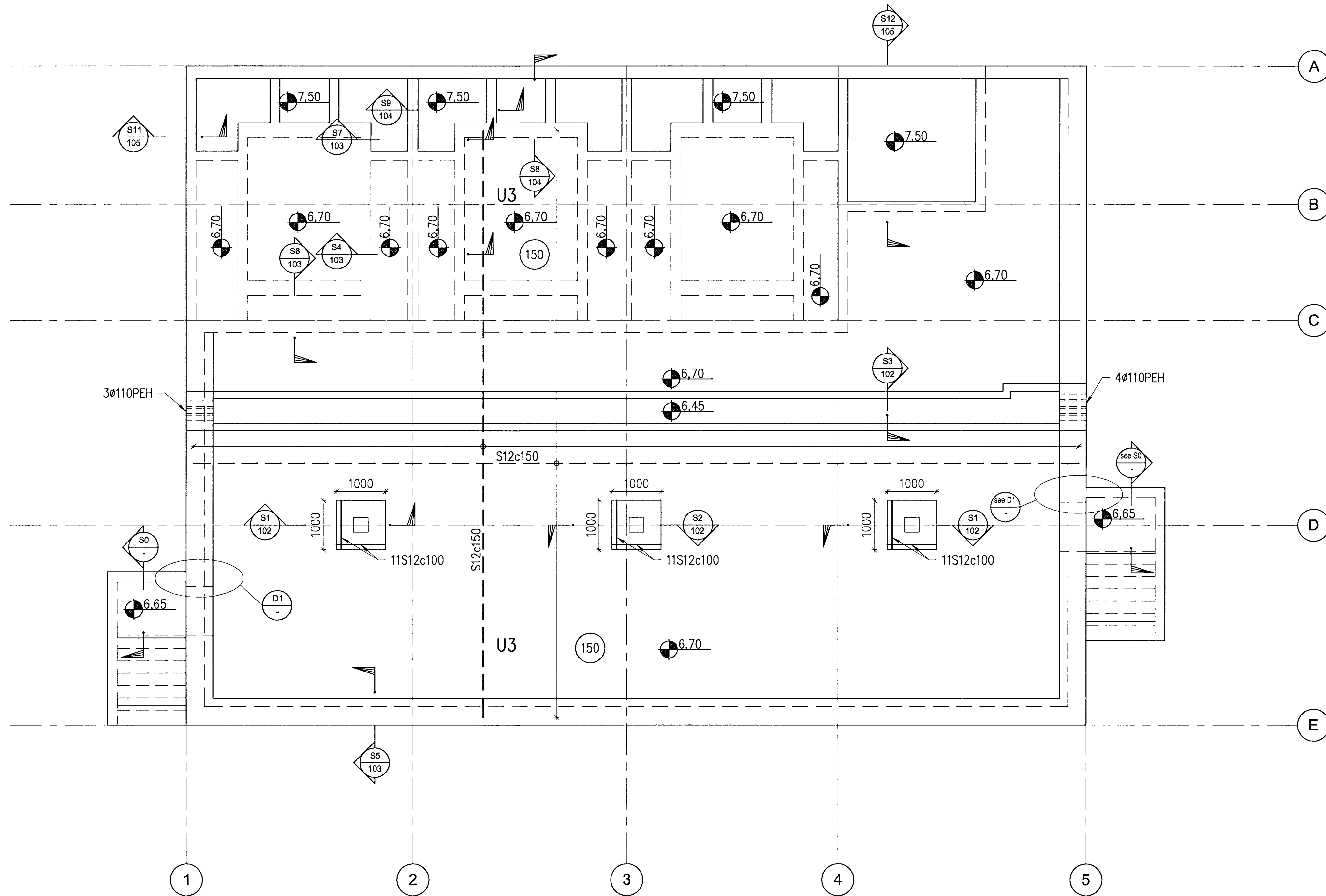
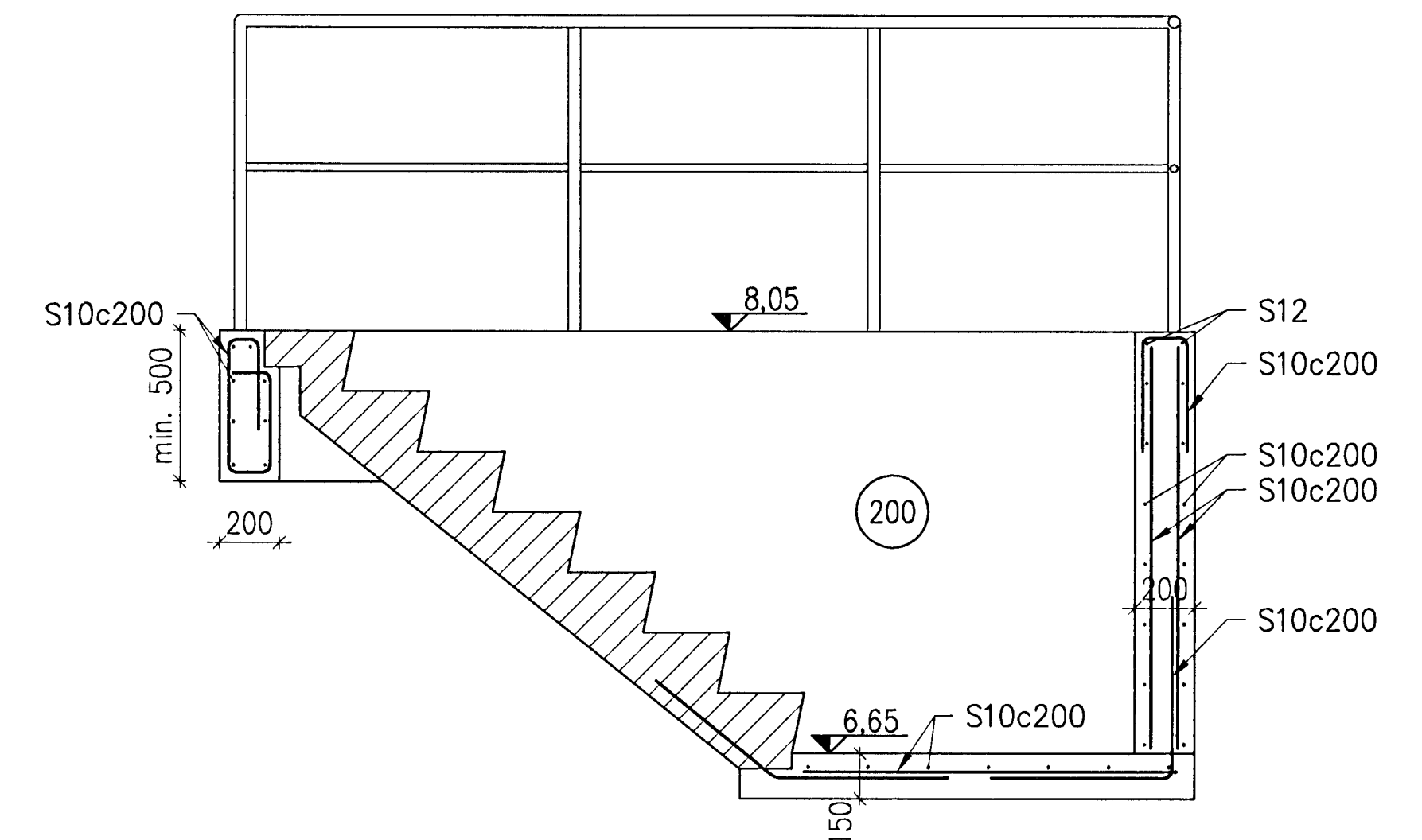


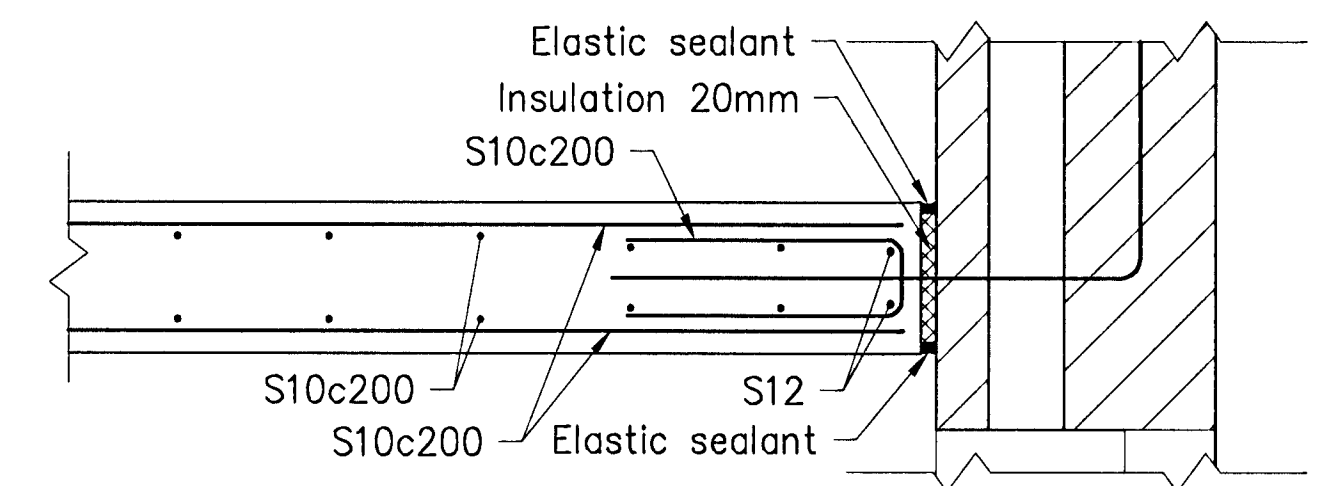
Nick Indrisson
Kt. 181144-3949
WI



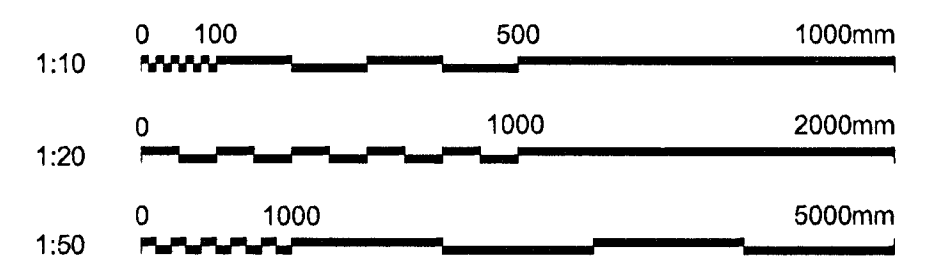
PLAN, LEVEL 6.70, 1:50



S0 SECTION
1:20



D1 DETAIL
1:10



Skýringar:
Legend:

| | | | | | | | |
|--------|----------------|------------|----------|------|-----------|-----------|----|
| 6 | Record drawing | 2012.09.20 | GMG | NI | PE | PER | → |
| Ólg nr | Lýsing | Dagsetning | Hon./Rn | Yfir | Notk heim | Notk heim | |
| Rev no | Description | Date | Des./Drw | Old | Suppl | ISAL | Rd |

| | |
|--|------------------------|
| This drawing is the property of Rio Tinto Alcan Iceland Ltd. and handed out for personal use only. It may neither be copied nor made available to others without permission of Rio Tinto Alcan Iceland Ltd. The receiver is liable for any misuse. | |
| Stærð / Format: A1 | Máv: Scale: 1:50/20/10 |
| Dimensions without tolerances according to ISO 2768-1 medium. | |

| | | | |
|---|-----------------------------------|--|---|
| Dagsetning / Date: 2011.02.14 | IPU 212 - SUBSTATION 140 | Flokkur nr.: / Blað nr.: | Nasta blnr.: |
| Hannað / Designed: HFB | CIVIL WORK | Kostn.nr.-Cena. / Blánr.-Eq.no | 16406 |
| Teikn / Drawn: HFB/ÁFV | FOUNDATIONS AND BOTTOM SLAB, PLAN | AKS | UB140 |
| Verktaki / Supplier: HRV | REINFORCEMENT | ISAL | 251418 |
| Teikn.nr.verktaka / Supplier drw.no: IDP-212-CA-062-101 | RioTintoAlcan | ISAL | A |
| Sambúið / Approved: NI | | ISAL Vírland og skráð, daga / ISAL Checked, date | ISAL Samþykkt, daga / ISAL Approved, date |
| Hiuli af / Part of: | | | |