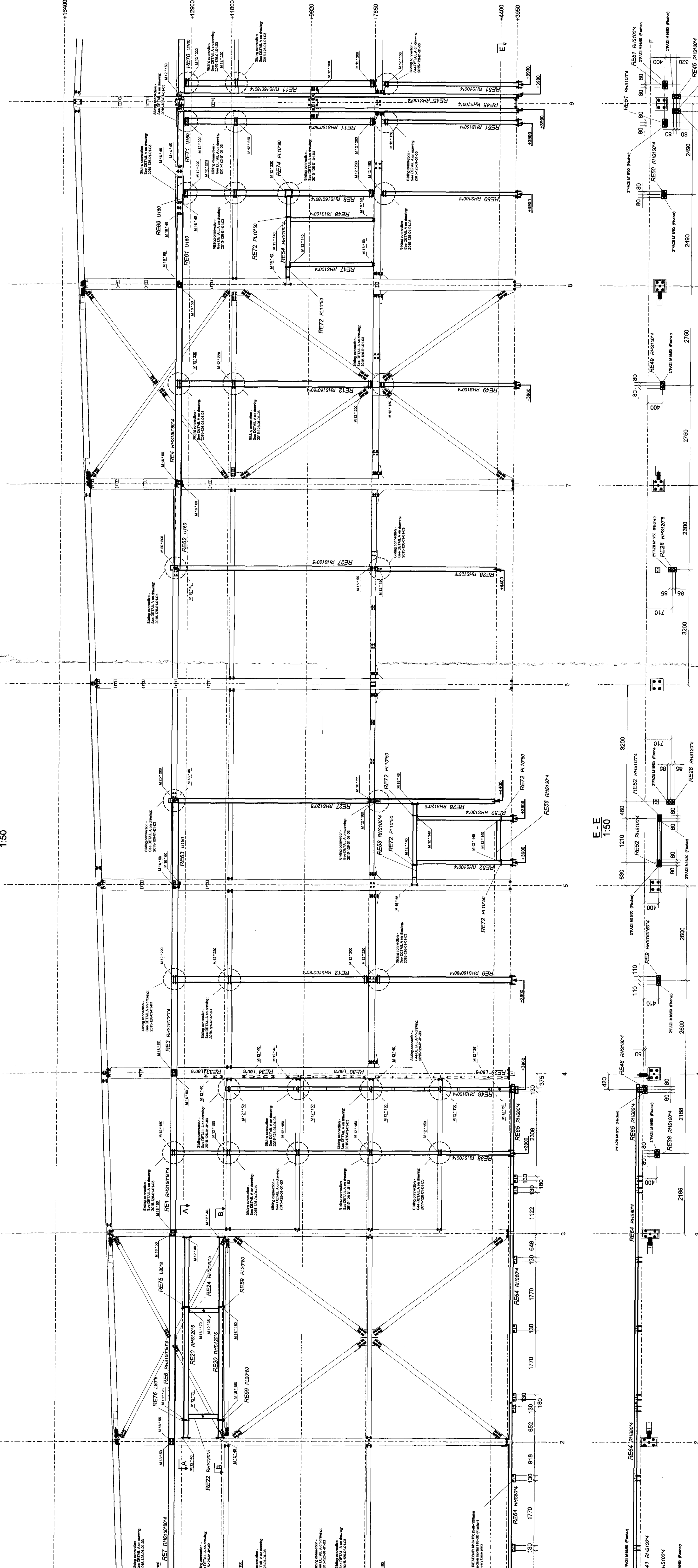


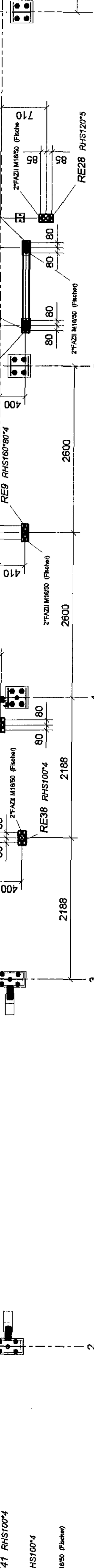
**SUBSTRUCTURE FOR HOUSING AND PANELS IN AXIS F (1-9)**

1:50



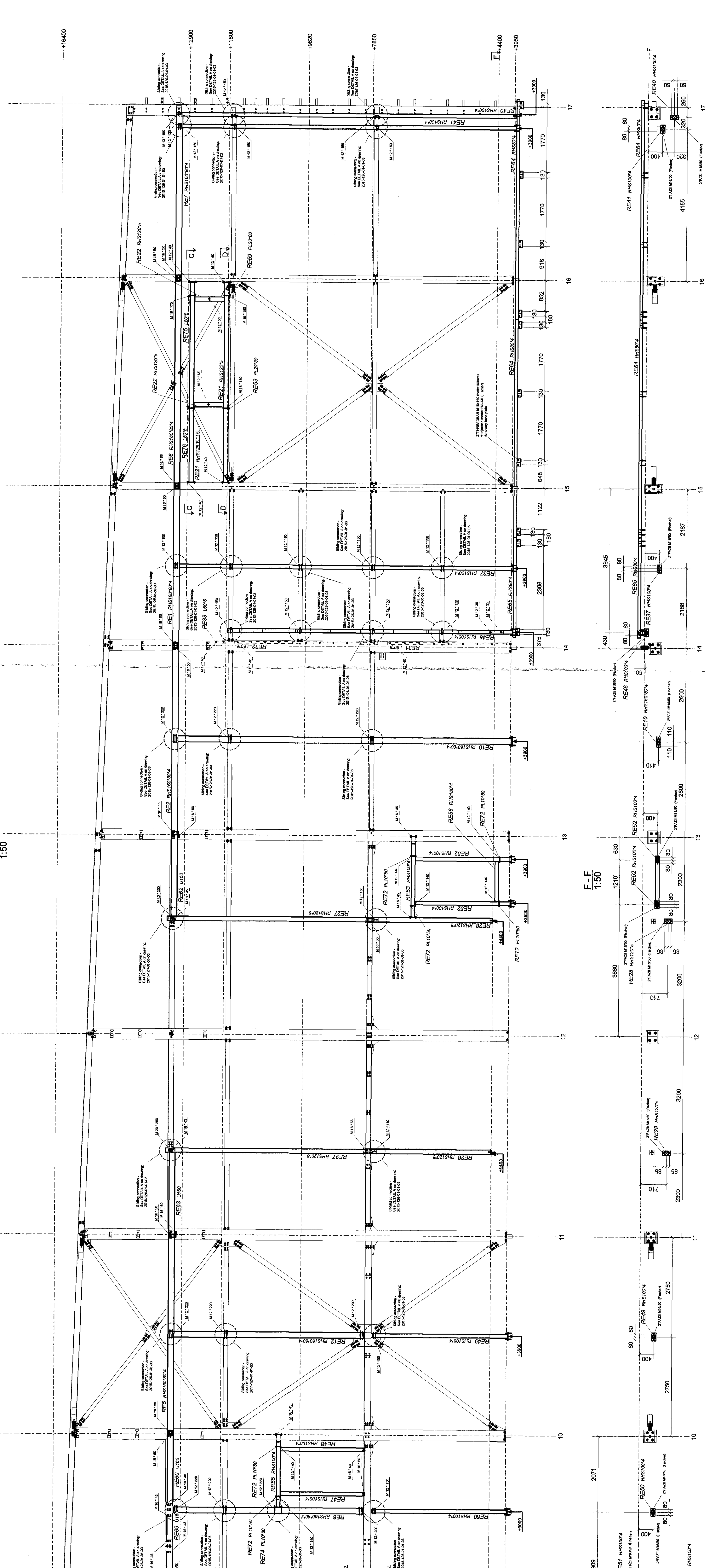
**E-E**

1:50



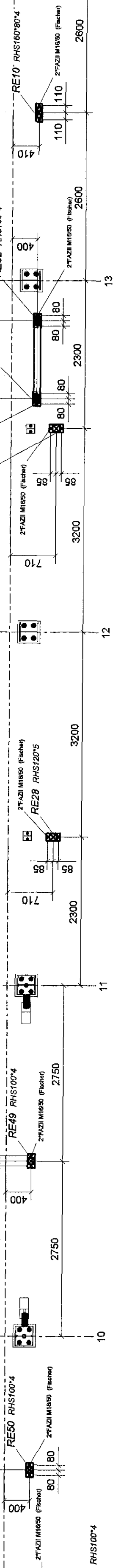
**SUBSTRUCTURE FOR HOUSING AND PANELS IN AXIS F (1-9)**

1:50



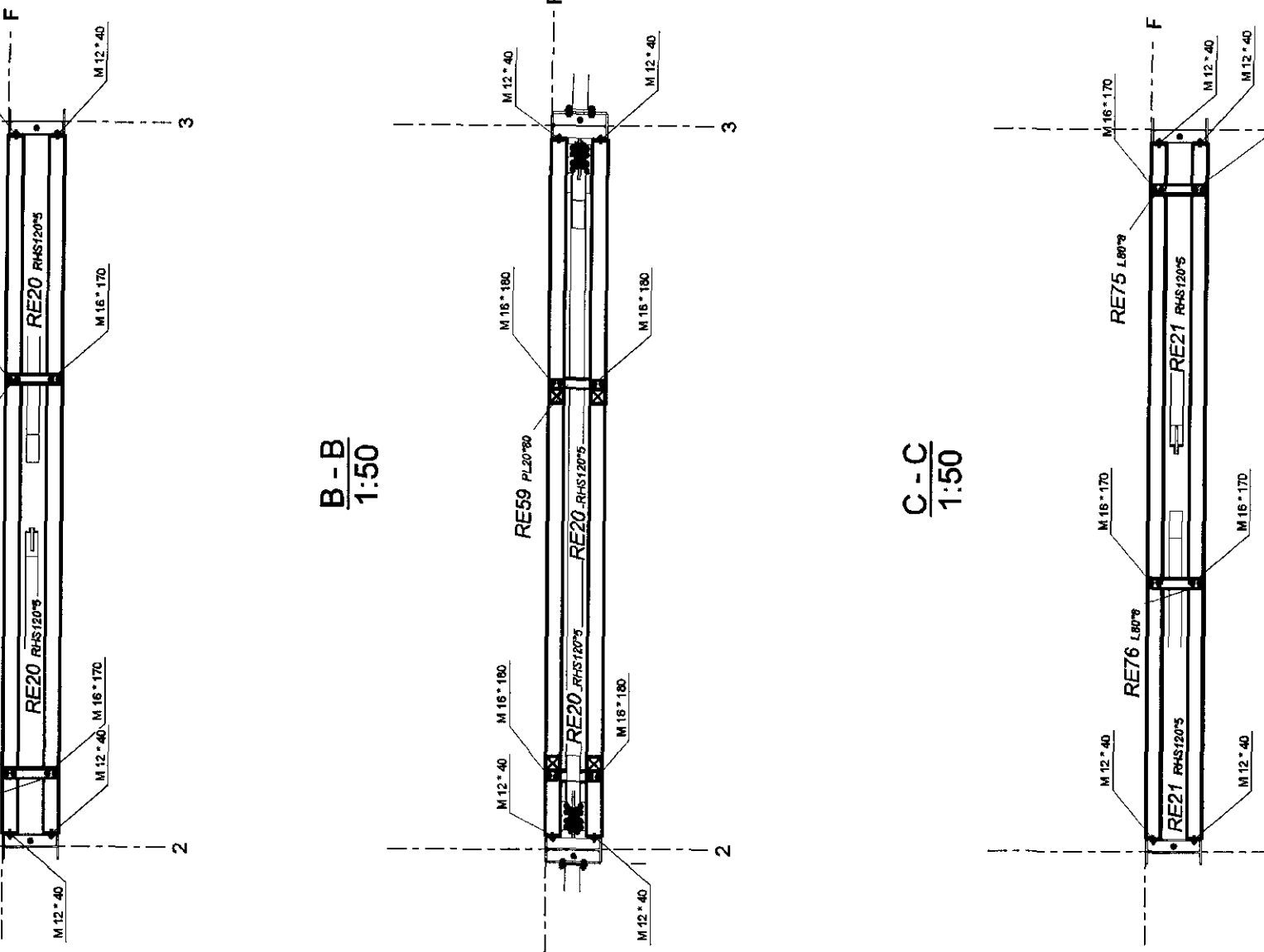
**F-F**

1:50



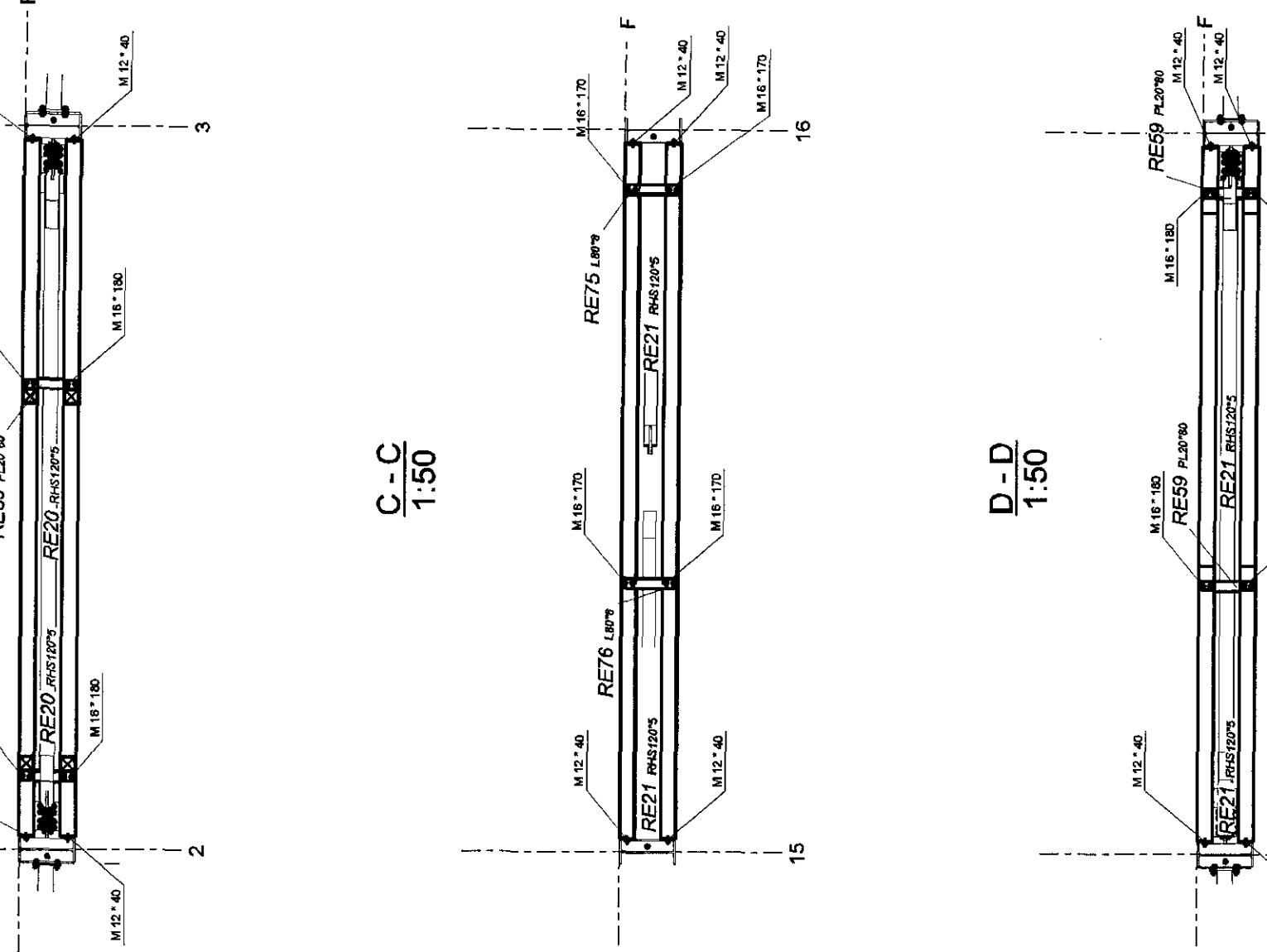
**A-A**

1:50



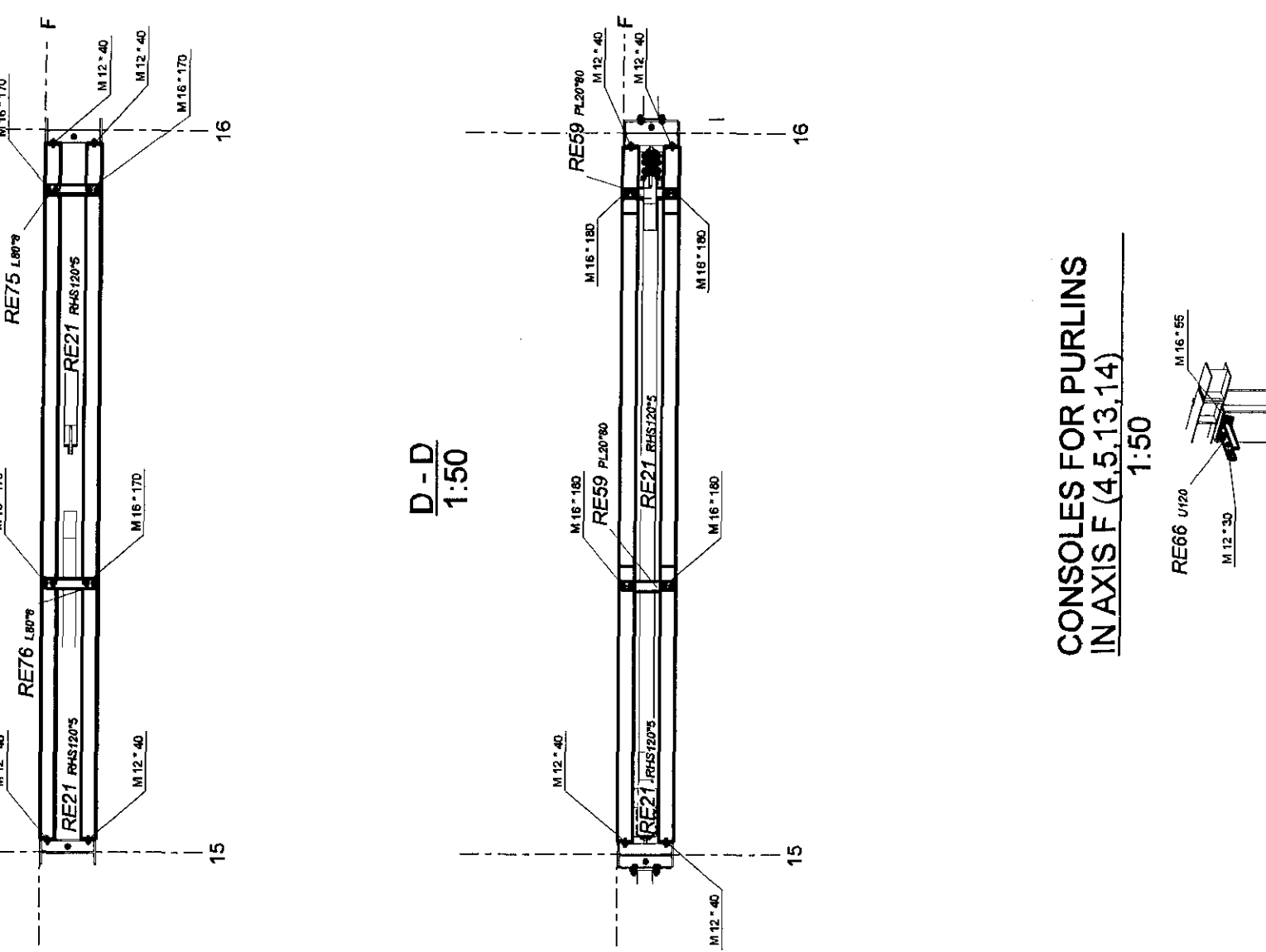
**B-B**

1:50



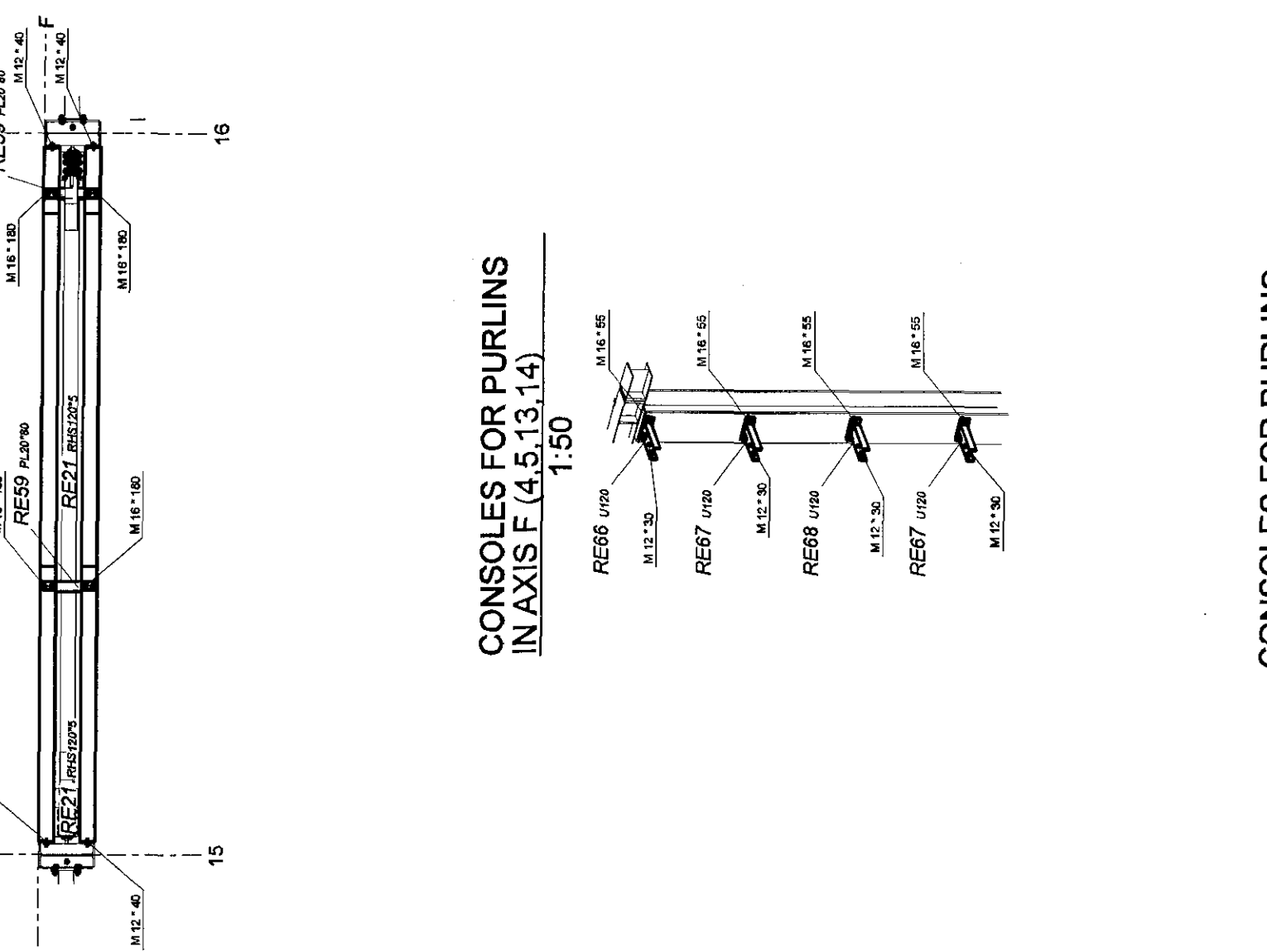
**C-C**

1:50



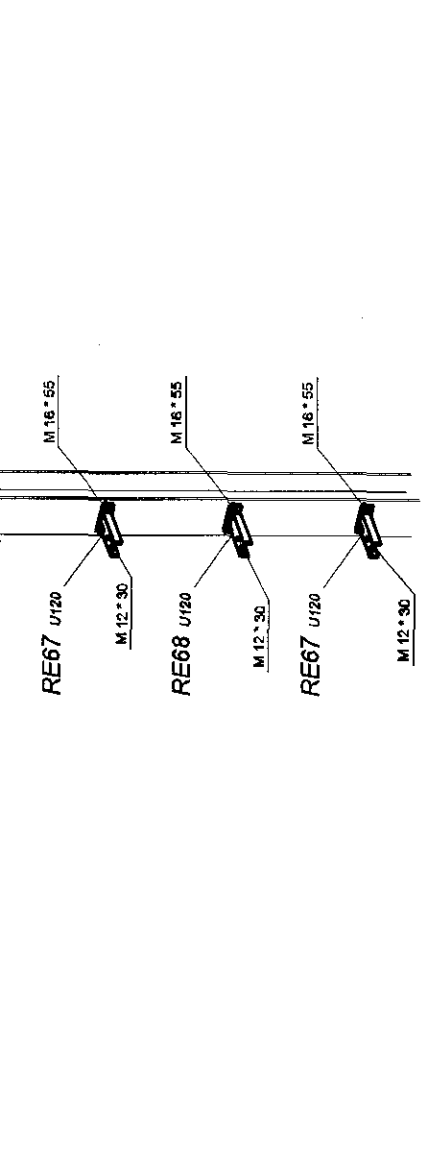
**D-D**

1:50



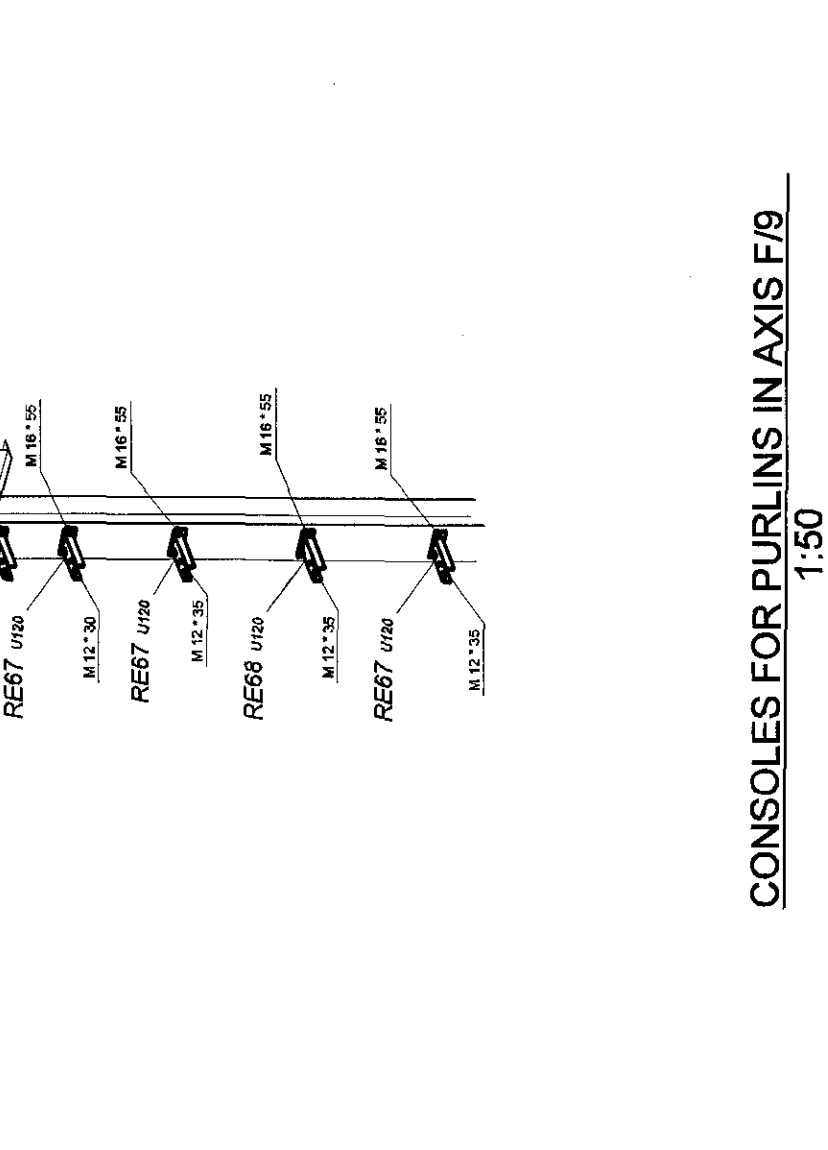
**CONSOLES FOR PURLINS IN AXIS F (4,5,13,14)**

1:50



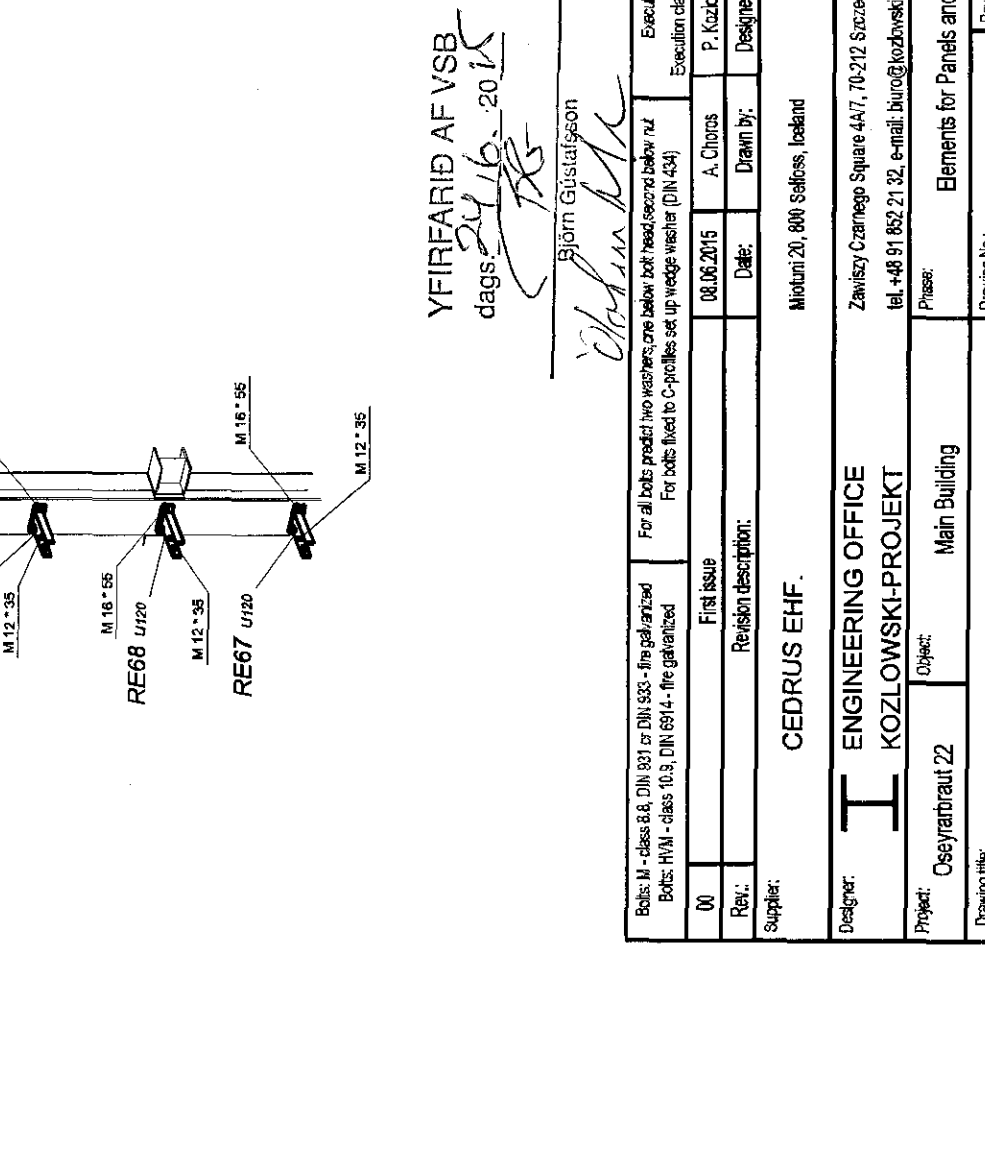
**CONSOLES FOR PURLINS IN AXIS F (7,8,10,11,12)**

1:50



**CONSOLES FOR PURLINS IN AXIS F (9)**

1:50



YIFIRBARID AFVSB  
date: 24.10.2018

ENGINEERING OFFICE  
KOZLOWSKI PROJEKT

CDRUS EHF

Project: Malt Building  
Drawing: 2018-05-04-03

Author	CDRUS EHF
Checked	CDRUS EHF
Design	CDRUS EHF
Drawn	CDRUS EHF
Scale	1:50
Sheet	10
Total	10